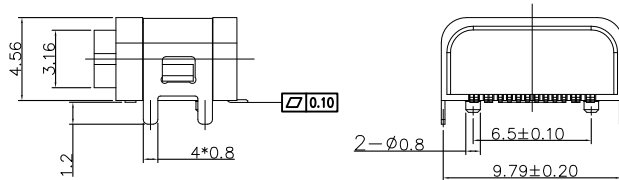
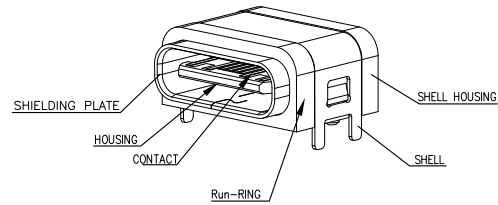
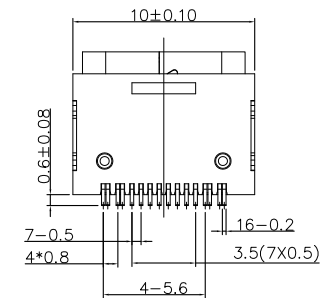
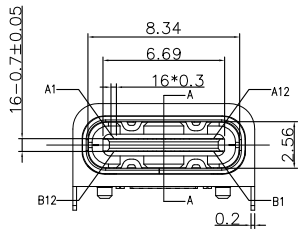
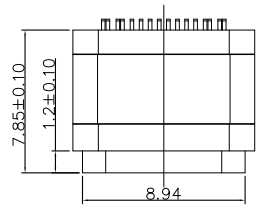
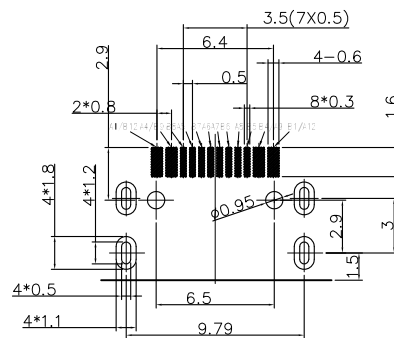
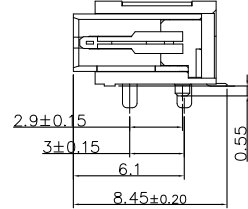


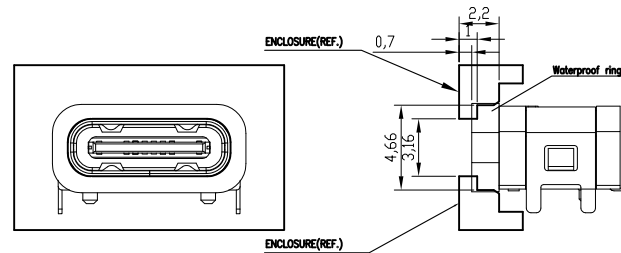
1 2 3 4 5 6 7 8



Section A-A



RECOMMENDED P.C.B. LAYOUT
TOLERANCE UNSPECIFIED ±0.05mm

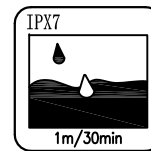


RECOMMENDED SCHEMATIC DRAWING OF CONNECTOR MATCH CHASSIS

NOTES:

SPECIFICATION:

1. CURRENT RATING: 3.0A MAX
2. VOLTAGE: 30 VAC
3. TEMPERATURE RANGE: -30 °C ~ 85 °C
4. CONTACT RESISTANCE: 40 MILLIONHM MAX
5. INSULATION RESISTANCE: 100 MEGOHMS MIN.
6. INSERTION FORCE : 6N~20N
7. UNMATING FORCE: 8N~20N
8. DURABILITY: 10,000 CYCLES
9. WATER PROOFNESS: THIS PRODUCT IS BASED ON IPX7(1.5M 30min).



USB TYPE-C PIN ASSIGNMENTS

PIN NUMBER	SIGNAL NAME	PIN NUMBER	SIGNAL NAME
A1	GND	B12	GND
A4	VBUS	B9	VBUS
A5	CC1	B8	SBU2
A6	Dp1	B7	Dn2
A7	Dn1	B6	Dp2
A8	SBU1	B5	CC2
A9	VBUS	B4	VBUS
A12	GND	B1	GND

NO	DESCRIPTION	QTY	MATERIAL	REMARKS
6	Run-RING	1PCS	Silica gel	BLACK
5	SHELL	1PCS	STAINLESS STEEL	NI Plated:40u*MIN
4	SHIELDING PLATE	1PCS	STAINLESS STEEL	NI Plated:40u*MIN
3	CONTACT	1SET	C7025	Contact Plating: Au (1u*) Soldering Plating: Au G/F
2	SHELL HOUSING	1PCS	PA9T	BLACK
1	HOUSING	1PCS	PA9T	BLACK

UNLESS OTHERWISE SPECIFIED TOLERANCES

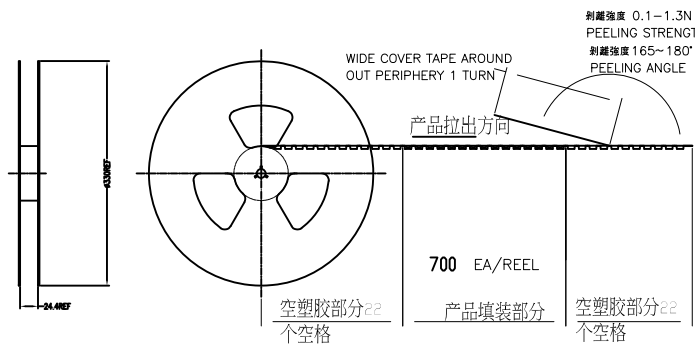
DECIMALS:		ANGLES:	
DIM	TOL	DIM	TOL
X.	±0.50	X.	±2°
X.X	±0.30	X.X	±1°
X.XX	±0.20	X.XX	±1'
X.XXX	±0.10	X.XXX	±10'

Singatron Enterprise Co., Ltd.

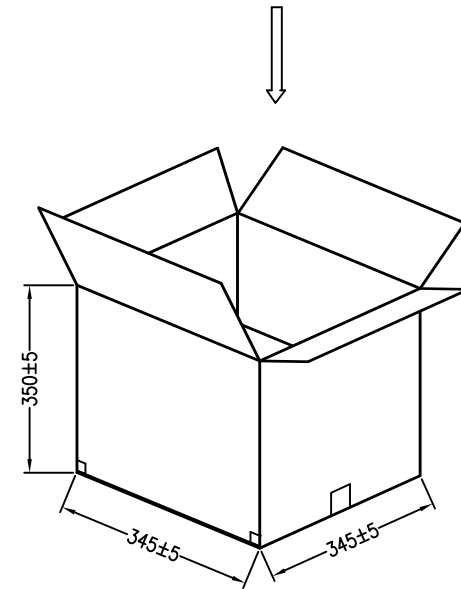
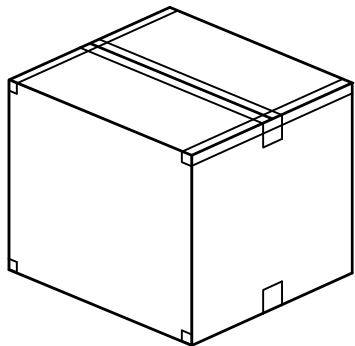
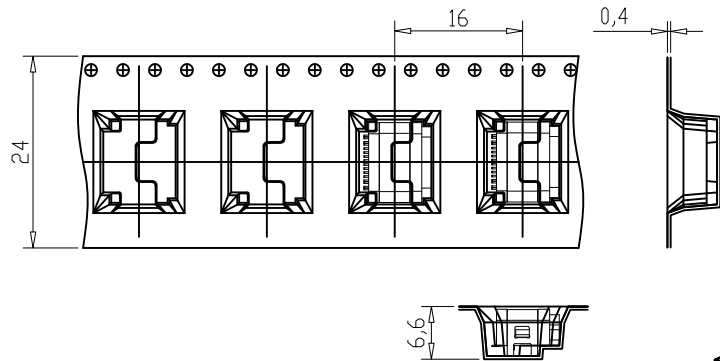
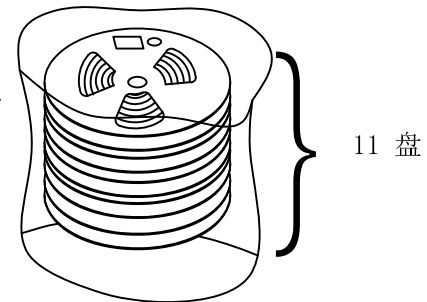
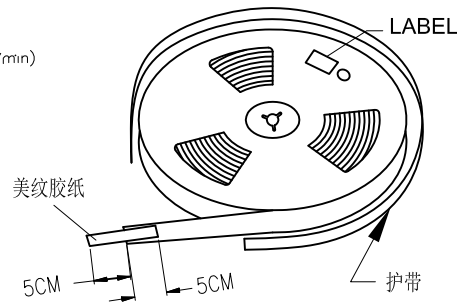
TITLE	USB TYPE C 16PIN 防水型				
DWN	Tony	PART NO.	2UC16W-1481-000H		
CHKD	2023.5.13	SCALE	1:1	UNIT:	mm
APVD	Andy	SIZE:	A3	SHEET:	1 OF 2
		REV:	A1		

CUSTOMER COPY

1 2 3 4 5 6 7 8



剥離強度 0.1-1.3N MAX(300±10mm/min)
PEELING STRENGTH
剥離角度 165~180°
PEELING ANGLE



说明:

- 1, 将检查合格的产品, 放入承载带中, 一盘包装700PCS;
- 2, 将11盘承载带放入纸箱中;
- 3, 将纸箱封装好, 贴上标签.

每箱数量	净重 (Kg)	毛重 (Kg)
7700PCS	xxx	xxx

UNLESS OTHERWISE SPECIFIED TOLERANCES				Singatron Enterprise Co., Ltd.			
DECIMALS:		ANGLES:		TITLE	USB TYPE C 16PIN 防水型		
DIM	TOL	DIM	TOL	DWN	Tony	PART NO.	2UC16W-1481-000H
X.	±0.50	X.	±2°	CHKD	2023.5.13	SCALE 1:1	UNIT: mm
X.X	±0.30	X.X	±1°	APVD	Andy	SIZE: A3	SHEET: 2 OF 2
X.XX	±0.20	X.XX		REV: A1			
X.XXX	±0.10	X.XXX		CUSTOMER COPY			