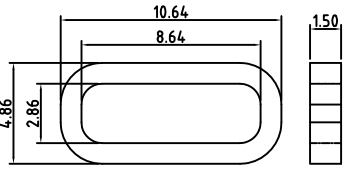


NOTES:
SPECIFICATION:



1. CURRENT RATING: 5.0A MAX
2. DIELECTRIC WITHSTAND VOLTAGE: 100VAC
3. TEMPERATURE RANGE: -30 °C ~ 85 °C
4. CONTACT RESISTANCE: 40 MILLIONHM MAX
5. INSULATION RESISTANCE: 100 MEGOHMS MIN.
6. INSERTION FORCE : 5N~20N
7. UNMATING FORCE: 8N~20N
8. DURABILITY:10,000 CYCLES

A1	GND	B12	GND
A4	VBUS	B9	VBUS
A5	CC1	B8	SBU2
A6	DP1	B7	DN2
A7	DN1	B6	DP2
A8	SBU1	B5	CC2
A9	VBUS	B4	VBUS
A12	GND	B1	GND
PIN	SIGNAL NAME	PIN	SIGNAL NAME



WATERPROOF RING

6	WATERPROOF RING	SILICA GEL	BLACK	1PCS
5	SHELL	STAINLESS STEEL	NI Plated	1PCS
4	SHIELDING PLATE	STAINLESS STEEL	NI Plated	1PCS
3	CONTACT	COPPER ALLOY	Au/Ni Plated	1SET
2	SHELL HOUSING	HIGH TEMPERATURE PLASTIC	BLACK	1PCS
1	HOUSING	HIGH TEMPERATURE PLASTIC	BLACK	1PCS
NO.	DESCRIPTION	MATERIAL	REMARKS	QTY

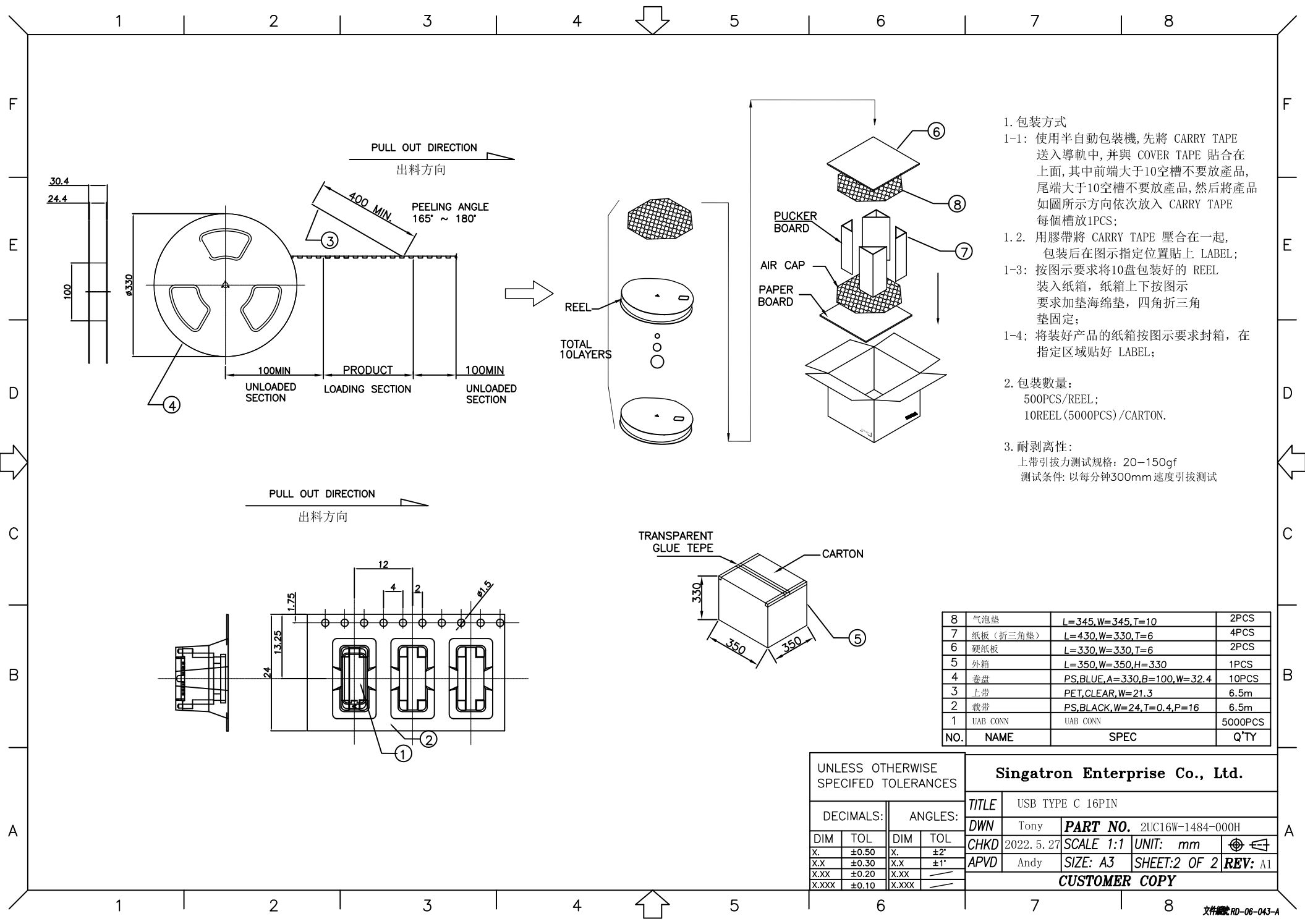
UNLESS OTHERWISE SPECIFIED TOLERANCES

DECIMALS:		ANGLES:	
DIM	TOL	DIM	TOL
X.	±0.50	X.	±2°
X.X	±0.30	X.X	±1°
X.XX	±0.20	X.XX	///
X.XXX	±0.10	X.XXX	///

Singatron Enterprise Co., Ltd.

TITLE	USB TYPE C 16PIN		
DWN	Tony	PART NO.	2UC16W-1484-000H
CHKD	2022. 5. 27	SCALE 1:1	UNIT: mm
APVD	Andy	SIZE: A3	SHEET:1 OF 2
		REV:	A1

CUSTOMER COPY



1. 包装方式
- 1-1: 使用半自动包装机, 先将 CARRY TAPE 送入导轨中, 并与 COVER TAPE 贴合在上面, 其中前端大于10空槽不要放产品, 尾端大于10空槽不要放产品, 然后将产品如图所示方向依次放入 CARRY TAPE 每个槽放1PCS;
 - 1.2. 用胶带将 CARRY TAPE 压合在一起, 包装后在图示指定位置贴上 LABEL;
 - 1-3: 按图示要求将10盘包装好的 REEL 装入纸箱, 纸箱上下按图示要求加垫海绵垫, 四角折三角垫固定;
 - 1-4: 将装好产品的纸箱按图示要求封箱, 在指定区域贴好 LABEL;
2. 包装数量:
500PCS/REEL;
10REEL (5000PCS) /CARTON.
3. 耐剥离性:
上带引拔力测试规格: 20-150gf
测试条件: 以每分钟300mm 速度引拔测试

8	气泡垫	L=345, W=345, T=10	2PCS
7	纸板 (折三角垫)	L=430, W=330, T=6	4PCS
6	硬纸板	L=330, W=330, T=6	2PCS
5	外箱	L=350, W=350, H=330	1PCS
4	卷盘	PS, BLUE, A=330, B=100, W=32.4	10PCS
3	上带	PET, CLEAR, W=21.3	6.5m
2	载带	PS, BLACK, W=24, T=0.4, P=16	6.5m
1	UAB CONN	UAB CONN	5000PCS
NO.	NAME	SPEC	Q'TY

UNLESS OTHERWISE SPECIFIED TOLERANCES				Singatron Enterprise Co., Ltd.			
DECIMALS:		ANGLES:		TITLE USB TYPE C 16PIN			
DIM	TOL	DIM	TOL	DWN	Tony	PART NO. 2UC16W-1484-000H	
X.	±0.50	X.	±2°	CHKD	2022. 5. 27	SCALE 1:1	UNIT: mm
X.X	±0.30	X.X	±1°	APVD	Andy	SIZE: A3	SHEET: 2 OF 2
X.XX	±0.20	X.XX	///	REV: A1			
X.XXX	±0.10	X.XXX	///	CUSTOMER COPY			