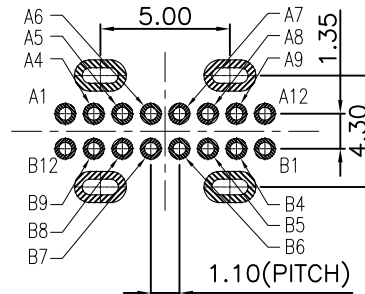
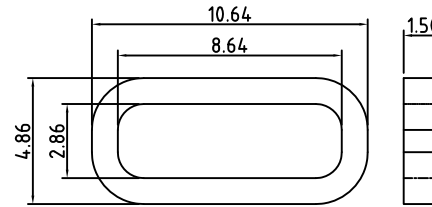


NOTES:
SPECIFICATION:

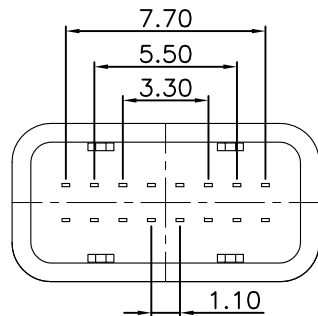
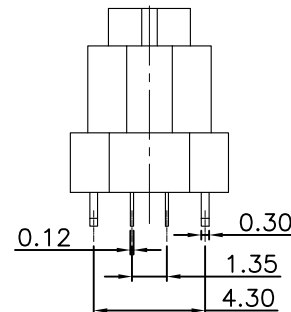
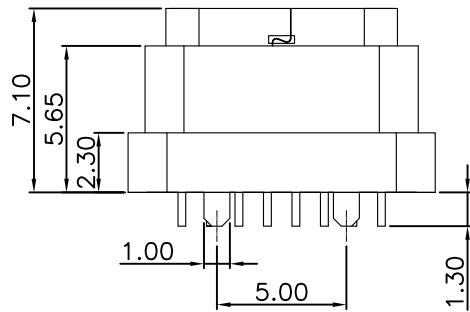
1. CURRENT RATING: 3.0A MAX
2. DIELECTRIC WITHSTAND VOLTAGE: 100VAC
3. TEMPERATURE RANGE: -30 °C ~ 85 °C
4. CONTACT RESISTANCE: 40 MILLIONHM MAX
5. INSULATION RESISTANCE: 100 MEGOHMS MIN.
6. INSERTION FORCE : 5N~20N
7. UNMATING FORCE: 8N~20N
8. DURABILITY:10,000 CYCLES



RECOMMENDED PCB LAYOUT(TOP VIEW)
(GENERAL TOLERANCE±0.05)



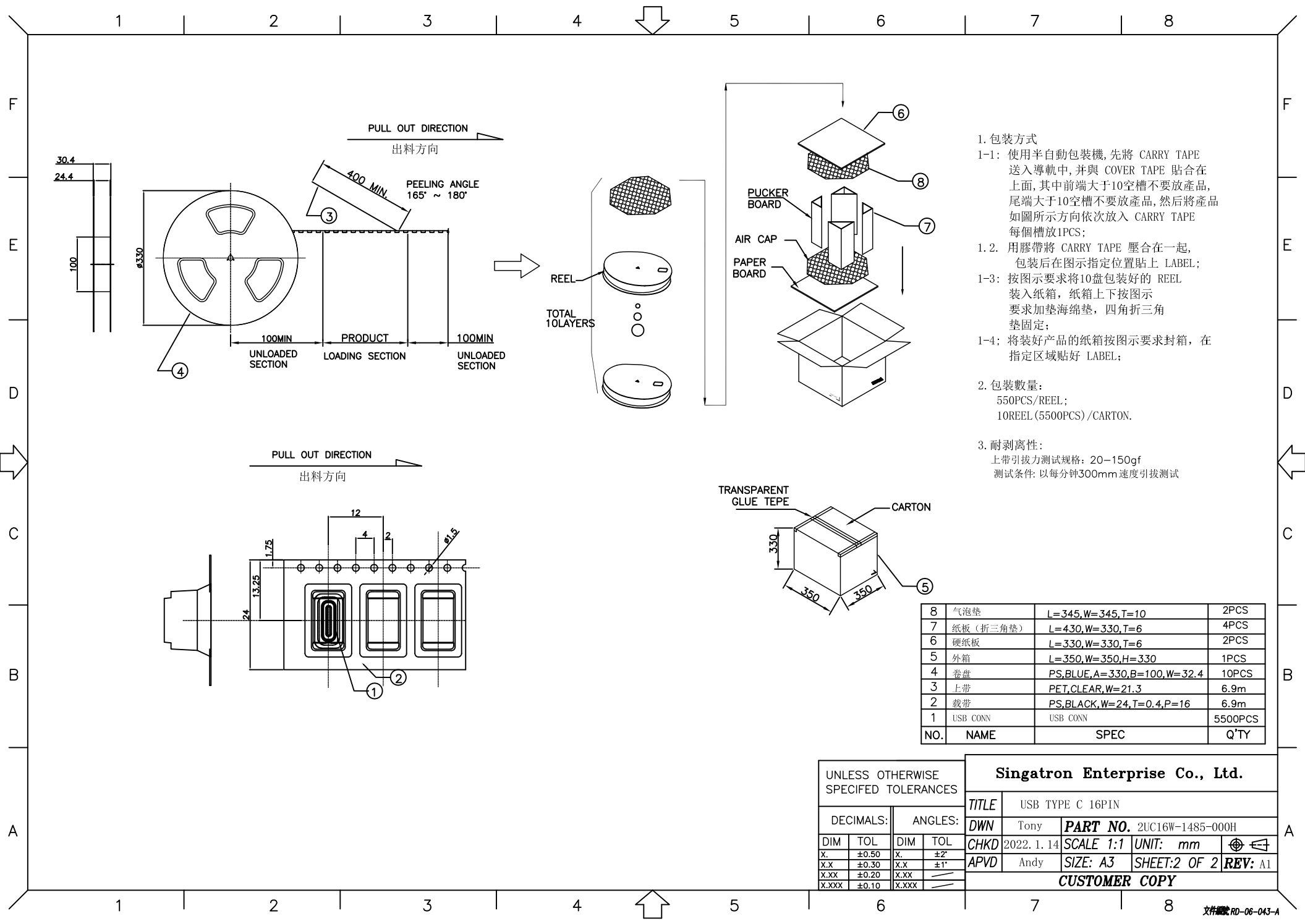
WATERPROOF RING



A1	GND	B12	GND
A4	VBUS	B9	VBUS
A5	CC1	B8	SBU2
A6	DP1	B7	DN2
A7	DN1	B6	DP2
A8	SBU1	B5	CC2
A9	VBUS	B4	VBUS
A12	GND	B1	GND
PIN	SIGNAL NAME	PIN	SIGNAL NAME

6	WATERPROOF RING	SILICA GEL	BLACK	1PCS
5	SHELL	STAINLESS STEEL	NI Plated	1PCS
4	SHIELDING PLATE	STAINLESS STEEL	NI Plated	1PCS
3	CONTACT	COPPER ALLOY	Au/Ni Plated	1SET
2	SHELL HOUSING	HIGH TEMPERATURE PLASTIC	BLACK	1PCS
1	HOUSING	HIGH TEMPERATURE PLASTIC	BLACK	1PCS
NO.	DESCRIPTION	MATERIAL	REMARKS	QTY

UNLESS OTHERWISE SPECIFIED TOLERANCES				Singatron Enterprise Co., Ltd.			
DECIMALS:		ANGLES:		TITLE	USB TYPE C 16PIN		
DIM	TOL	DIM	TOL	DWN	Tony	PART NO.	2UC16W-1485-000H
X.	±0.50	X.	±2°	CHKD	2022. 1. 14	SCALE 1:1	UNIT: mm
X.X	±0.30	X.X	±1°	APVD	Andy	SIZE: A3	SHEET:1 OF 2
X.XX	±0.20	X.XX	///				REV: A1
X.XXX	±0.10	X.XXX	///	CUSTOMER COPY			



1. 包装方式
- 1-1: 使用半自動包裝機, 先將 CARRY TAPE 送入導軌中, 并與 COVER TAPE 貼合在上面, 其中前端大于10空槽不要放產品, 尾端大于10空槽不要放產品, 然后将產品如圖所示方向依次放入 CARRY TAPE 每個槽放1PCS;
 - 1.2. 用膠帶將 CARRY TAPE 壓合在一起, 包装后在图示指定位置貼上 LABEL;
 - 1-3: 按图示要求將10盘包装好的 REEL 裝入紙箱, 紙箱上下按图示要求加墊海綿墊, 四角折三角墊固定;
 - 1-4: 將裝好產品的紙箱按图示要求封箱, 在指定区域貼好 LABEL;
2. 包裝數量:
- 550PCS/REEL;
10REEL (5500PCS)/CARTON.
3. 耐剝離性:
- 上帶引拔力測試規格: 20-150gf
測試條件: 以每分鐘300mm速度引拔測試

8	气泡垫	L=345,W=345,T=10	2PCS
7	纸板 (折三角墊)	L=430,W=330,T=6	4PCS
6	硬纸板	L=330,W=330,T=6	2PCS
5	外箱	L=350,W=350,H=330	1PCS
4	卷盘	PS,BLUE,A=330,B=100,W=32.4	10PCS
3	上带	PET,CLEAR,W=21.3	6.9m
2	载带	PS,BLACK,W=24,T=0.4,P=16	6.9m
1	USB CONN	USB CONN	5500PCS
NO.	NAME	SPEC	Q'TY

UNLESS OTHERWISE SPECIFIED TOLERANCES				Singatron Enterprise Co., Ltd. TITLE USB TYPE C 16PIN DWN Tony PART NO. 2UC16W-1485-000H CHKD 2022. 1. 14 SCALE 1:1 UNIT: mm APVD Andy SIZE: A3 SHEET: 2 OF 2 REV: A1			
DECIMALS:		ANGLES:					
DIM	TOL	DIM	TOL	CUSTOMER COPY			
X.	±0.50	X.	±2°				
X.X	±0.30	X.X	±1°				
X.XX	±0.20	X.XX	—				
X.XXX	±0.10	X.XXX	—				