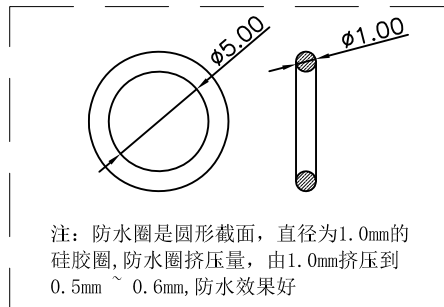
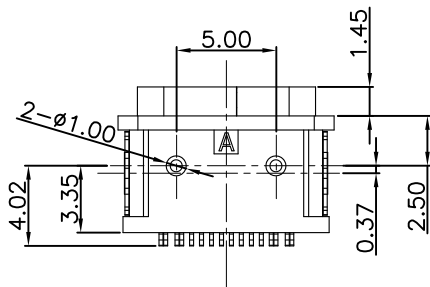
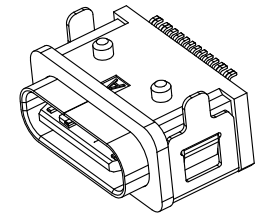
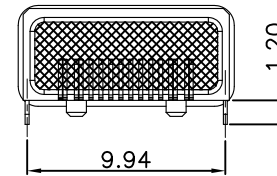
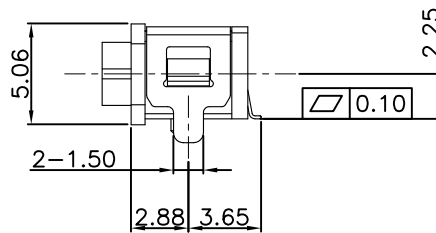
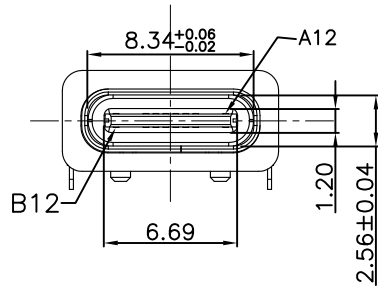


Recommended P.C.B. Layout
Unspecified tolerance: ± 0.05
(Top view)

SPECIFICATION:

1. CURRENT RATING: 3.0A MAX
2. DIELECTRIC WITHSTAND VOLTAGE: 100VAC
3. TEMPERATURE RANGE: $-30^{\circ}\text{C} \sim 85^{\circ}\text{C}$
4. CONTACT RESISTANCE: 40 MILLIONHM MAX
5. INSULATION RESISTANCE: 100 MEGOHMS MIN.
6. INSERTION FORCE : 5N~20N
7. UNMATING FORCE: 8N~20N
8. DURABILITY: 10,000 CYCLES
9. WATER PROOFNESS: THIS PRODUCT IS BASED ON IPX8.



注: 防水圈是圆形截面, 直径为1.0mm的硅胶圈, 防水圈挤压量, 由1.0mm挤压到0.5mm ~ 0.6mm, 防水效果好

A1	GND	B12	GND
A4	VBUS	B9	VBUS
A5	CC1	B8	SBU2
A6	DP1	B7	DN2
A7	DN1	B6	DP2
A8	SBU1	B5	CC2
A9	VBUS	B4	VBUS
A12	GND	B1	GND
PIN	SIGNAL NAME	PIN	SIGNAL NAME

ITEM	PART NAME	Q' TY	FINISH	NOTE
5	Shell2	1	SUS301 Ni Plating T=0.20mm	Ni: 40u"Min;
4	Shell1	1	SUS301 Ni Plating T=0.25mm	Ni: 40u"Min;
3	Housing2	1	PA10T(G.F30%)	
2	Contact	6	Phosphor bronze C5210R-EH Au/Ni Plating T=0.20mm	Ni: 40u"Min; Au: CONTACT AREA: 3u", OTHER AREA: G/F
1	Housing	1	PA10T (G.F30%)	

UNLESS OTHERWISE SPECIFIED TOLERANCES

DECIMALS:		ANGLES:	
DIM	TOL	DIM	TOL
X.	± 0.50	X.	$\pm 2^{\circ}$
X.X	± 0.30	X.X	$\pm 1^{\circ}$
X.XX	± 0.20	X.XX	///
X.XXX	± 0.10	X.XXX	///

Singatron Enterprise Co., Ltd.

TITLE	TYPE C 16PIN 防水		
DWN	Tony	PART NO.	2UC16W-1534-000H
CHKD	2021.7.28	SCALE 1:1	UNIT: mm
APVD	Andy	SIZE: A3	SHEET: 1 OF 2
		REV:	A1

CUSTOMER COPY

1 2 3 4 5 6 7 8

F

E

D

C

B

A

F

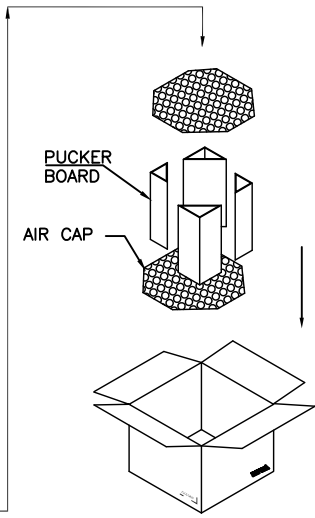
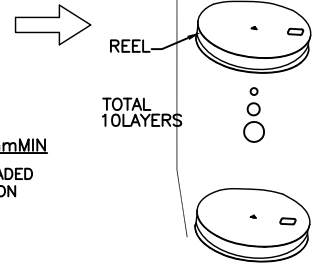
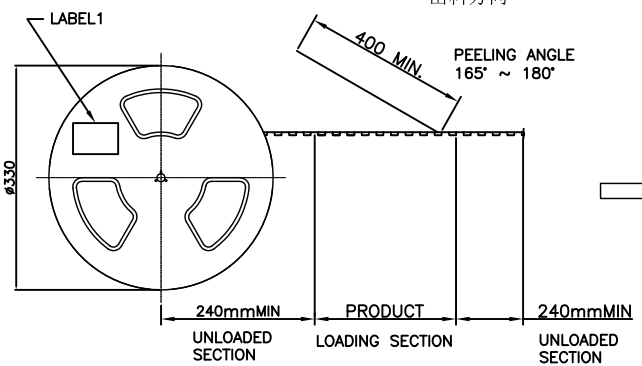
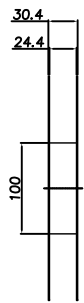
E

D

C

B

A



备注:

1. 包装方式

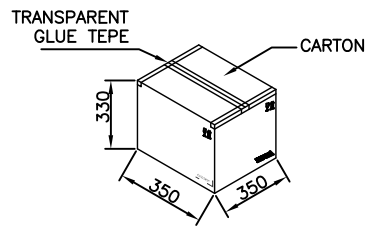
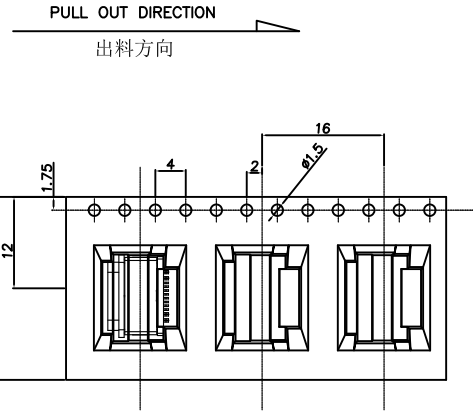
- 1-1: 使用半自动包装机, 先将 CARRY TAPE 送入导轨中, 并与 COVER TAPE 贴合在上面, 其中前端大于15空槽不要放产品, 尾端大于15空槽不要放产品, 然后将产品如图所示方向依次放入 CARRY TAPE 每个槽放1PCS;
- 1.2. 用胶带将 CARRY TAPE 压合在一起, 包装后在图示指定位置贴上 LABEL;
- 1-3: 按图示要求将10盘包装好的 REEL 装入纸箱, 纸箱上下按图示要求加垫海绵垫, 四角折三角垫固定;
- 1-4: 将装好产品的纸箱按图示要求封箱, 在指定区域贴好 LABEL;

2. 包装数量:

600PCS/REEL;
10REEL (6000PCS) /CARTON.

3. 耐剥离性:

上带引拔力测试规格: 20-150gf
测试条件: 以每分钟300mm速度引拔测试



UNLESS OTHERWISE SPECIFIED TOLERANCES

DECIMALS:		ANGLES:	
DIM	TOL	DIM	TOL
X.	±0.50	X.	±2°
X.X	±0.30	X.X	±1°
X.XX	±0.20	X.XX	///
X.XXX	±0.10	X.XXX	///

Singatron Enterprise Co., Ltd.			
TITLE	TYPE C 16PIN 防水		
DWN	Tony	PART NO.	2UC16W-1534-000H
CHKD	2021.7.28	SCALE 1:1	UNIT: mm
APVD	Andy	SIZE: A3	SHEET: 2 OF 2
		REV:	A1
CUSTOMER COPY			