

1 2 3 4 5 6 7 8

F

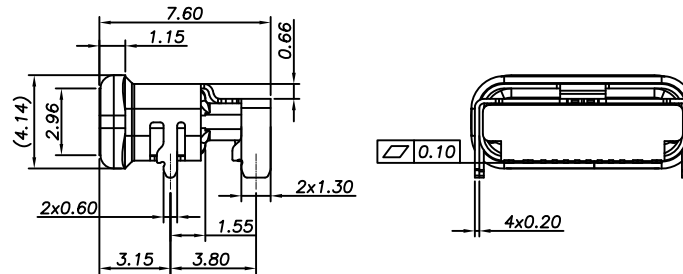
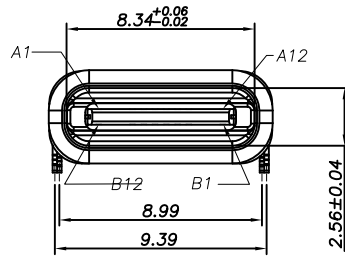
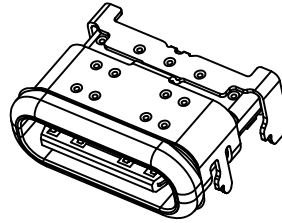
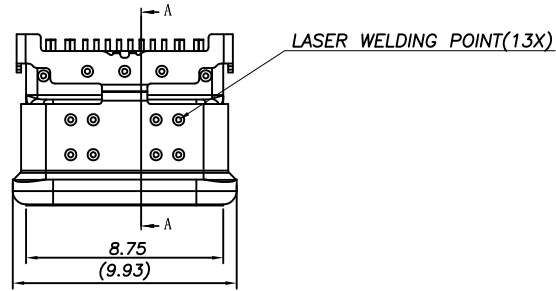
E

D

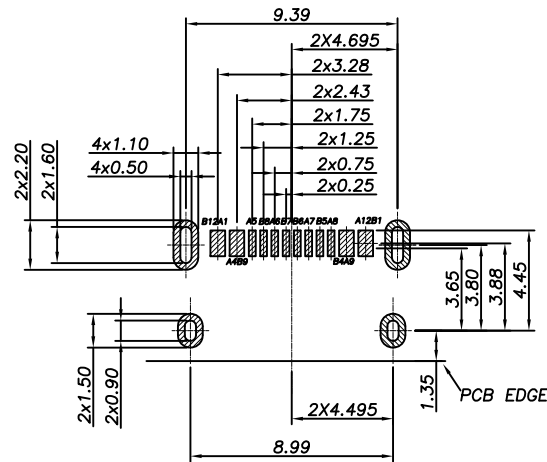
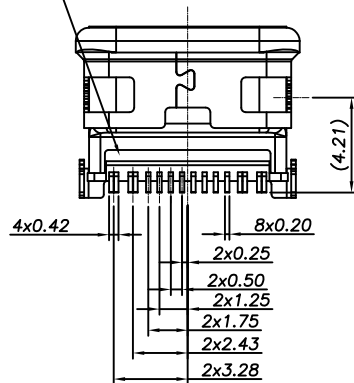
C

B

A



POSITION OF GLUE



RECOMMENDED PCB LAYOUT(TOP VIEW)
THICKNESS 1.0±0.10MM;DEFAULT TOLERANCE:±0.05

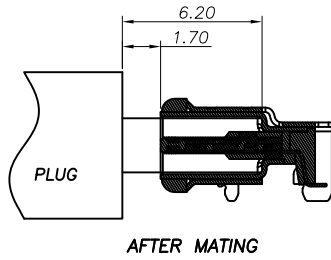
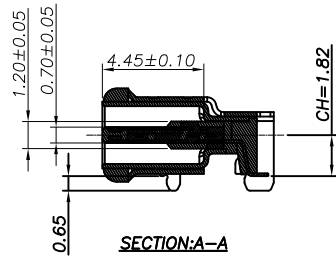
NOTE:

- 1.MATERIAL SPECIFICATION:
 - 1.HOUSING:PA9T BLACK,UL94 V-0.
 - 2.TERMINAL:C1814
 - 3.MID PLATE: STAINLESS STEEL
 - 4.OUT SHELL: STAINLESS STEEL
 - 5.INNER SHELL: STAINLESS STEEL
 - 6.GLUE:EPOXY,BLACK
 - 7.OUT GASKET:UV GLUE SH-5102-GM,RED
- 2.PLATING SPECIFICATION:
 - 2-1.CONTACTS:
 - Ni 50u" MIN. UNDER PLATED OVER ALL.
 - Au 3u" PLATED ON THE FUNCTIONAL AREA OF CONTACT.
 - GOLD FLASH PLATING ON THE SOLDER AREA
 - 2-2.OUT SHELL&INNER SHELL:
 - Ni 30u" MIN. UNDER PLATED OVER ALL.
 - 2-3.MID PLATE:
 - CLEAR ONLY
- 3.MECHANICAL PERFORMANCE,
 - 3-1.INSERTION FORCE: 0.5~2.0kgf.
 - 3-2.REMOVAL FORCE: 0.8kgf~2.0kgf.
 - 3-3.DURABILITY: 10000 CYCLES.
- 4.ELECTRICAL PERFORMANCE,
 - 4-1. VOLTAGE RATING:5 V DC/AC (RMS. max)
CURRENT RATING:5 AMPS. FOR TOTAL VBUS/GND PINS;
1.25AMPS FOR CC PIN,0.25 AMPS. FOR ALL OTHER CONTACT.
 - 4-2. LLCR:
 - VBUS & GND PINS AND OTHER PINS: 40mΩ/PIN MAX.
 - SHIELD: 50mΩ/MAX.
 - LLCR MAX. CHANGE OF ALL PINS: 10mΩ.
 - 4-3.INSULATION RESISTANCE: 100MΩ MIN
 - 4-4.DIELECTRIC WITHSTAND VOLTAGE,AC 100V FOR 1 MINUTE.
5. ENVIRONMENTAL PERFORMANCE:
 - OPERATING TEMPERATURE: -25°C~+85°C.
- 6.IR REFLOW:
 - THE PEAK TEMPERATURE ON THE BOARD SHALL BE MAINTAINED FOR 10 SECONDS AT 260°C.
- 7.WATERPROOF:IPX7

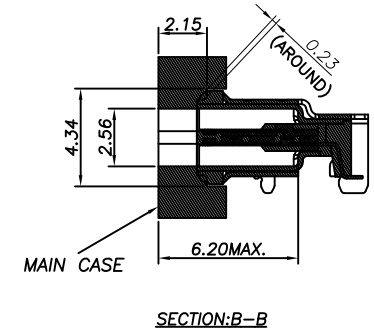
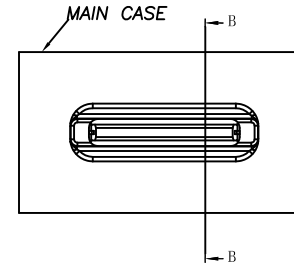


UNLESS OTHERWISE SPECIFIED TOLERANCES				Singatron Enterprise Co., Ltd.			
DECIMALS:		ANGLES:		TITLE	USB TYPE-C 16P 母座		
DIM	TOL	DIM	TOL	DWN	Tony	PART NO.	2UC16W-1539-030H
X.	±0.50	X.	±2°	CHKD	2023. 4. 21	SCALE	1:1 UNIT: mm
X.X	±0.30	X.X	±1°	APVD	Andy	SIZE: A3	SHEET: 1 OF 3
X.XX	±0.20	X.XX	///	REV: A1			
X.XXX	±0.10	X.XXX	///	CUSTOMER COPY			

1 2 3 4 5 6 7 8



RECOMMENDED OPENING DIMENSIONS
OF CASE MATING AREA WITH SEALING RING



USB TYPE-C PIN ASSIGNMENTS

PIN NUMBER	SIGNAL NAME	PIN NUMBER	SIGNAL NAME
A1	GND	B12	GND
/	/	/	/
A4	Vbus	B9	Vbus
A5	CC1	B8	SBU2
A6	Dp1	B7	Dn2
A7	Dn1	B6	Dp2
A8	SBU1	B5	CC2
A9	Vbus	B4	Vbus
/	/	/	/
/	/	/	/
A12	GND	B1	GND

UNLESS OTHERWISE
SPECIFIED TOLERANCES

DECIMALS:		ANGLES:	
DIM	TOL	DIM	TOL
X.	±0.50	X.	±2°
X.X	±0.30	X.X	±1°
X.XX	±0.20	X.XX	/
X.XXX	±0.10	X.XXX	/

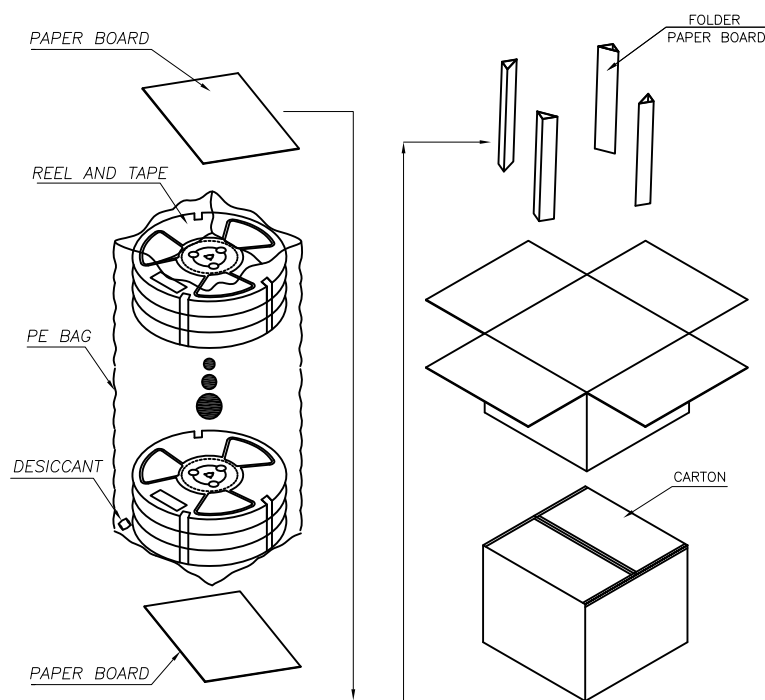
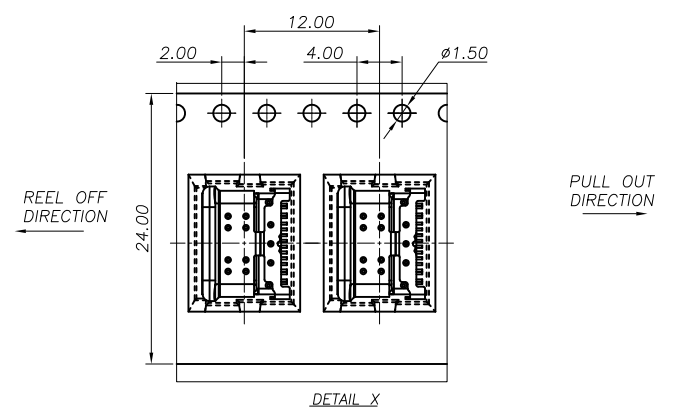
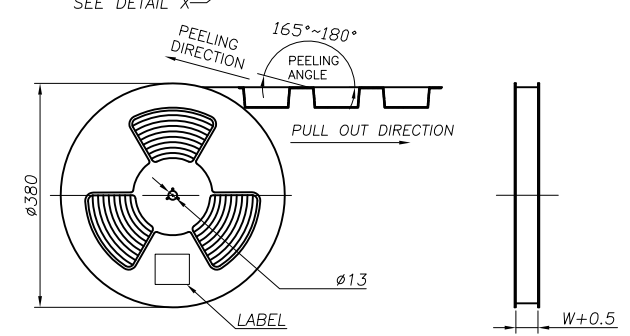
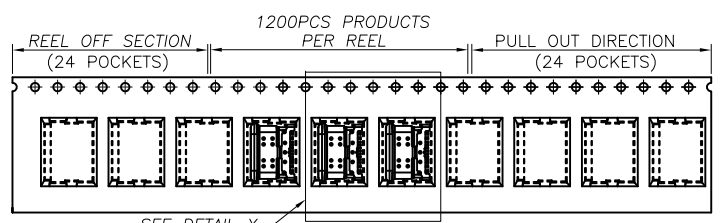
Singatron Enterprise Co., Ltd.

TITLE	USB TYPE-C 16P 母座			
DWN	Tony	PART NO.	2UC16W-1539-030H	
CHKD	2023.4.21	SCALE	1:1	UNIT: mm
APVD	Andy	SIZE: A3	SHEET: 2 OF 3	REV: A1

CUSTOMER COPY

1 2 3 4 5 6 7 8

F
E
D
C
B
A



	REEL/TRAY	CARTON
CONNECTOR (PCS)	1200	12000

UNLESS OTHERWISE SPECIFIED TOLERANCES

DECIMALS:		ANGLES:	
DIM	TOL	DIM	TOL
X.	±0.50	X.	±2°
X.X	±0.30	X.X	±1°
X.XX	±0.20	X.XX	
X.XXX	±0.10	X.XXX	

Singatron Enterprise Co., Ltd.

TITLE	USB TYPE-C 16P 母座		
DWN	Tony	PART NO.	2UC16W-1539-030H
CHKD	2023. 4. 21	SCALE	1:1
APVD	Andy	UNIT:	mm
		SIZE:	A3
		SHEET:	3 OF 3
		REV:	A1

CUSTOMER COPY

1 2 3 4 5 6 7 8