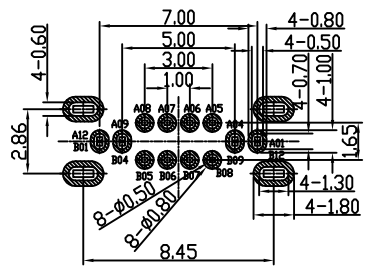
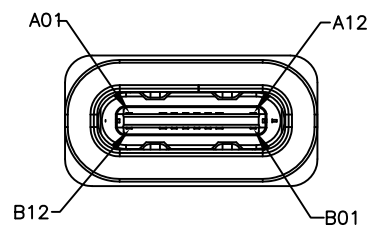


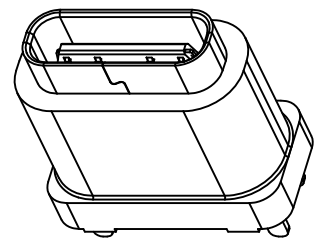
1 2 3 4 5 6 7 8

F  
E  
D  
C  
B  
A

F  
E  
D  
C  
B  
A

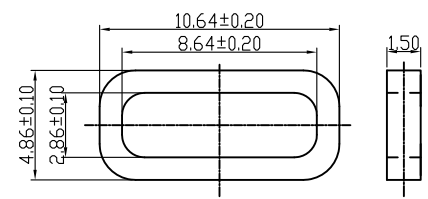
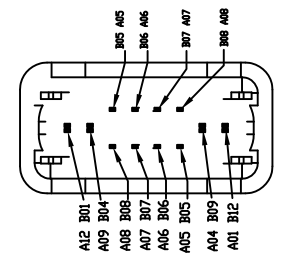
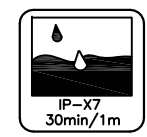
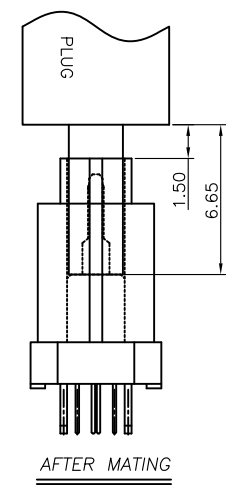
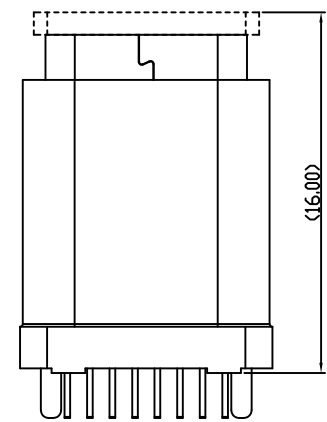
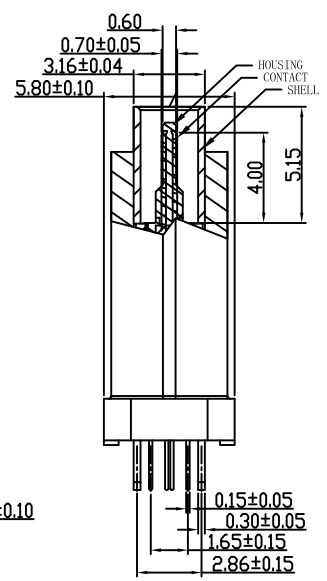
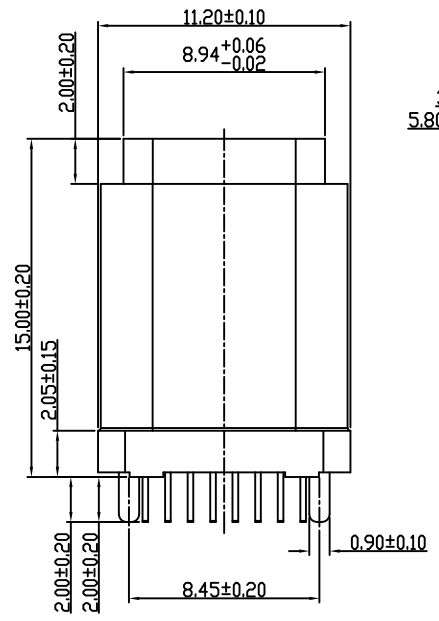


RECOMMENDED P.C.B. LAYOUT (T: 1.00mm)  
TOLERANCE UNSPECIFIED ±0.05mm



NOTE:

- MATERIAL SPECIFICATION:
  - HOUSING: LCP E1301, UL94V-0.
  - SHELL HOUSING: NY 9T, UL94V-0.
  - CONTACTS: C7025 or C2680
  - MID PLATE: SUS301
  - FRONT SHELL: SUS304
- PLATING SPECIFICATION:
  - CONTACTS:
    - Ni 50μ" MIN. UNDER PLATED OVER ALL.
    - Au PLATED ON THE FUNCTIONAL AREA OF CONTACT.
  - FRONT SHELL:
    - Ni 30μ" MIN. UNDER PLATED OVER ALL.
  - MID PLATE:
    - CLEAR ONLY
- MECHANICAL PERFORMANCE:
  - INSERTION FORCE: 0.5~2.0kgf.
  - REMOVAL FORCE: 0.8kgf~2.0kgf.
  - DURABILITY: 10000 CYCLES.
- ELECTRICAL PERFORMANCE:
  - CURRENT RATING: 3.0A  
VOLTAGE RATING: 5.0V
  - LLCR:
    - VBUS & GND PINS AND OTHER PINS: 40mΩ/PIN MAX.
    - SHIELD: 50mΩ/MAX.
  - INSULATION RESISTANCE: 100MΩ MIN
  - DIELECTRIC WITHSTAND VOLTAGE, AC 100V FOR 1 MINUTE.
- ENVIRONMENTAL PERFORMANCE:
  - OPERATING TEMPERATURE: -25° C~+85° C.
  - THE PEAK TEMPERATURE ON THE BOARD SHALL BE MAINTAINED FOR 10 SECONDS AT 260° C.
- WATER PROOFNESS: THIS PRODUCT IS BASED ON IPX7.



PIN NUMBER	A1	A2	A3	A4	A5	A6	A7	A8	A9	A10	A11	A12
SIGNAL NAME	GND			Vbus	CC1	Dp1	Dn1	SBU1	Vbus			GND
PIN NUMBER	B12	B11	B10	B9	B8	B7	B6	B5	B4	B3	B2	B1
SIGNAL NAME	GND			Vbus	SBU2	Dn2	Dp2	CC2	Vbus			GND

UNLESS OTHERWISE SPECIFIED TOLERANCES

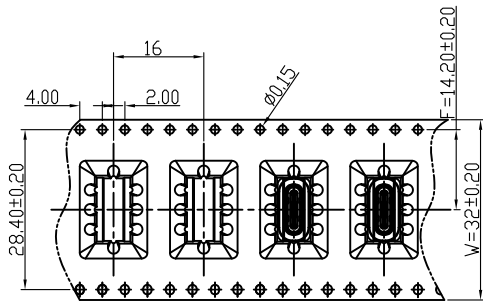
DECIMALS:		ANGLES:	
DIM	TOL	DIM	TOL
X.	±0.50	X.	±2°
X.X	±0.30	X.X	±1°
X.XX	±0.20	X.XX	
X.XXX	±0.10	X.XXX	

Singatron Enterprise Co., Ltd.

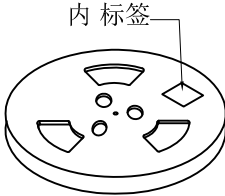
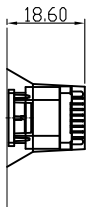
TITLE	TYPE C 16P 防水母座		
DWN	Tony	PART NO.	2UC16W-1604-000H
CHKD	2021.11.23	SCALE	1:1 UNIT: mm
APVD	Andy	SIZE	A3 SHEET: 1 OF 2 REV: A1

CUSTOMER COPY

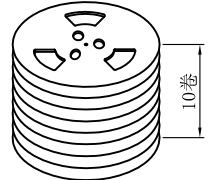
1 2 3 4 5 6 7 8



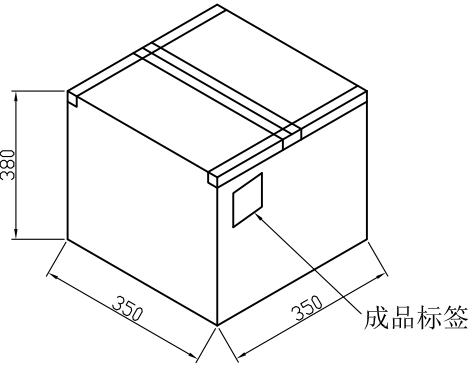
① 产品入载带示意图



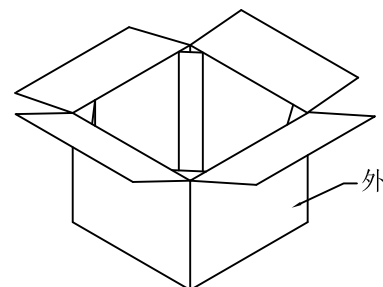
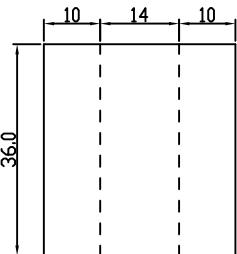
② 卷盘贴标签示意图



③ 10盘产品叠层示意图



⑤ 外箱封箱示意图



④ 产品入外箱示意图

包装说明:

1. 将检验好的成品;插板脚朝下放入载带底部;每卷装200PCS产品;具体如图一所示
2. 将包装好的产品;每盘必需贴上内标签;具体如图二所示
3. 将贴好内标签的产品每10盘叠;具体如图三所示
4. 装好后并封好纸箱及贴好相关标签;具体如图五所示;  
(产品包装的标签,如客户有要求,请按客户要求包装出货)
5. 载带前面留14PCS空格,后面留14PCS空格
6. COVER与CARRY剥离力:50-125g,速度:300mm/分钟左右,剥离角度:165°-180°

UNLESS OTHERWISE SPECIFIED TOLERANCES			
DECIMALS:		ANGLES:	
DIM	TOL	DIM	TOL
X.	±0.50	X.	±2°
X.X	±0.30	X.X	±1°
X.XX	±0.20	X.XX	——
X.XXX	±0.10	X.XXX	——

Singatron Enterprise Co., Ltd.			
TITLE	TYPE C 16P 防水母座		
DWN	Tony	PART NO. 2UC16W-1604-000H	
CHKD	2021.11.23	SCALE 1:1	UNIT: mm
APVD	Andy	SIZE: A3	SHEET: 2 OF 2
		REV: A1	
CUSTOMER COPY			