

1 2 3 4 5 6 7 8

F

E

D

C

B

A

F

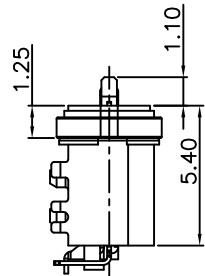
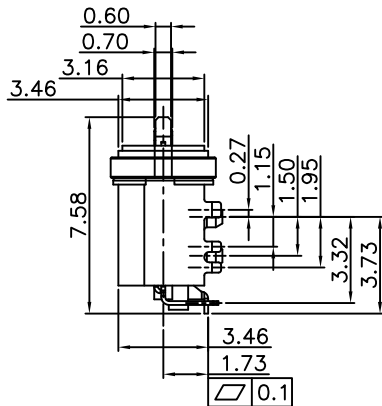
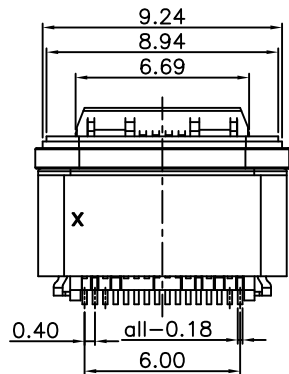
E

D

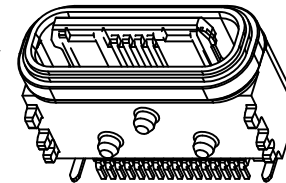
C

B

A

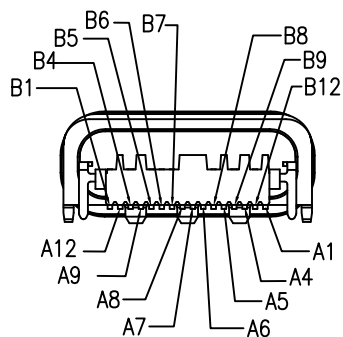
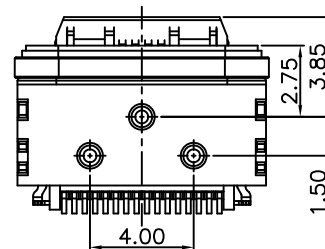
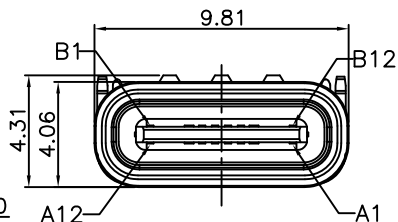
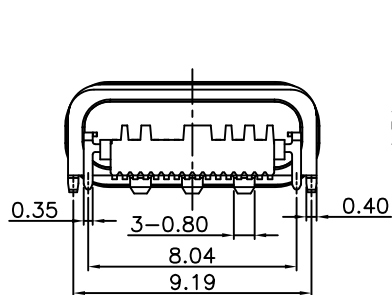


TYPE-C 16P 5.4L



NOTES:

1. ELECTRICAL:
 - 1.1. CONTACT CURRENT RATING 5.0A FOR VBUS AND GND(PINS A4 A9 B4 B9)
 - 1.2. INSULATION RESISTANCE: 100 MEGAOHMS MIN. AT 250VDC.
 - 1.3. DIELECTRIC WITHSTANDING VOLTAGE: 100VAC MIN.
 - 1.4. LOW CONTACT RESISTANCE: INITIAL 40m Ω MAX. AFTER 50m Ω MAX.
2. MECHANICAL CHARACTERISTICS:
 - 2.1. INSERTION FORCE: 5N~20N.
 - 2.2. EXTRACTION FORCE: 8N~20N FORM 1 TO 1000CYCLES. 6~20N FORM 1001 TO 10000CYCLES.
 - 2.3. DURABILITY: 10,000 MATING CYCLES
 - 2.4. OPERATING TEMPERATURE: -55°C TO +85°C
3. COPLANARITY: 0.08MAX.
4. INSPECTION SYMBOL: IMPORTANCE INSPECTION.
5. Waterproof Level: IPX8



PIN	SIGNAL NAME	PIN	SIGNAL NAME
A1	GND	B12	GND
A2	/	B11	/
A3		B10	
A4	VBUS	B9	VBUS
A5	CC1	B8	SBU2
A6	Dp1	B7	Dn2
A7	Dn1	B6	Dp2
A8	SBU1	B5	CC2
A9	VBUS	B4	VBUS
A10	/	B3	/
A11		B2	
A12	GND	B1	GND

TABLE:

ITEM	PART NAME	QTY	MATERIAL	REMARK
1	SHELL	1PCS	STAINLESS	NICKEL PLATED 50u" MIN. OVER ALL
2	INSERT HOUSING	1PCS	Nylon	UL94V-0
3	Mid-PLATE	1PCS	STAINLESS	NI PLATED 50u" MIN. OVER ALL
4	TOP CONTACT	1SET	COPPER ALLOY	GLOD FLASH PLATE (one side brushed with gold)
5	BOTTOM CONTACT	1SET	COPPER ALLOY	
6	RUBBER RING	1PCS	SILICA GEL	BLACK

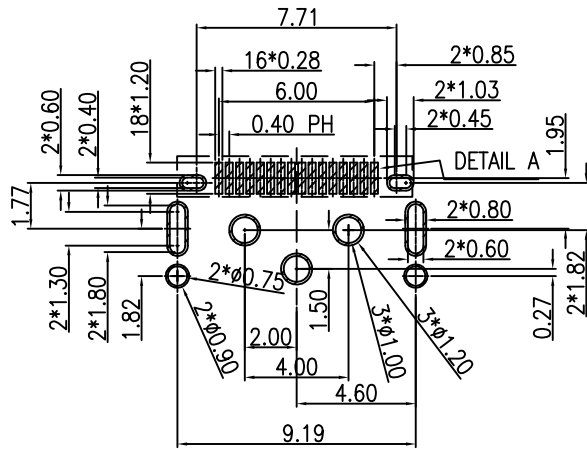
UNLESS OTHERWISE SPECIFIED TOLERANCES

DECIMALS:		ANGLES:	
DIM	TOL	DIM	TOL
X.	±0.50	X.	±2°
X.X	±0.30	X.X	±1°
X.XX	±0.20	X.XX	±1'
X.XXX	±0.10	X.XXX	±10"

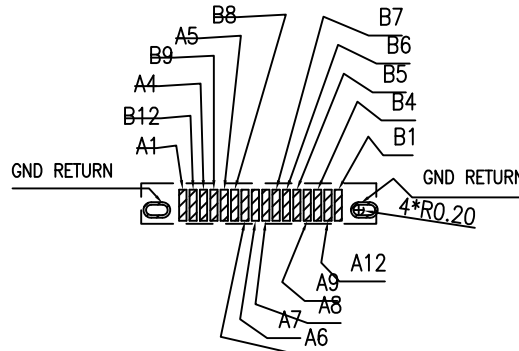
Singatron Enterprise Co., Ltd.

TITLE	TYPE C 16 PIN 防水型		
DWN	Tony	PART NO. 2UC16W-1622-000H	
CHKD	2022.3.11	SCALE 1:1	UNIT: mm
APVD	Andy	SIZE: A3	SHEET: 1 OF 3

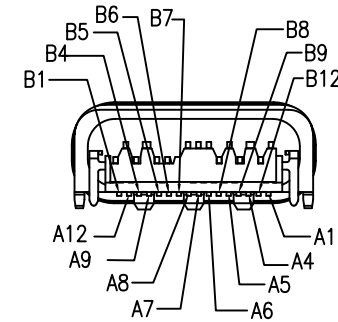
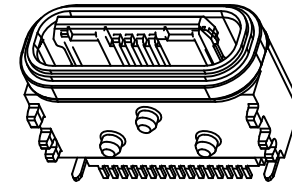
CUSTOMER COPY



RECOMMENDED PCB LAYOUT
GENERAL TOLERANCE ± 0.05



DETAIL A
SCALE 1:1



UNLESS OTHERWISE SPECIFIED TOLERANCES

DECIMALS:		ANGLES:	
DIM	TOL	DIM	TOL
X.	± 0.50	X.	$\pm 2^\circ$
X.X	± 0.30	X.X	$\pm 1^\circ$
X.XX	± 0.20	X.XX	///
X.XXX	± 0.10	X.XXX	///

Singatron Enterprise Co., Ltd.

TITLE	TYPE C 16 PIN 防水型		
DWN	Tony	PART NO.	2UC16W-1622-000H
CHKD	2022.3.11	SCALE 1:1	UNIT: mm
APVD	Andy	SIZE: A3	SHEET: 2 OF 3
			REV: A1

CUSTOMER COPY

1 2 3 4 5 6 7 8

F

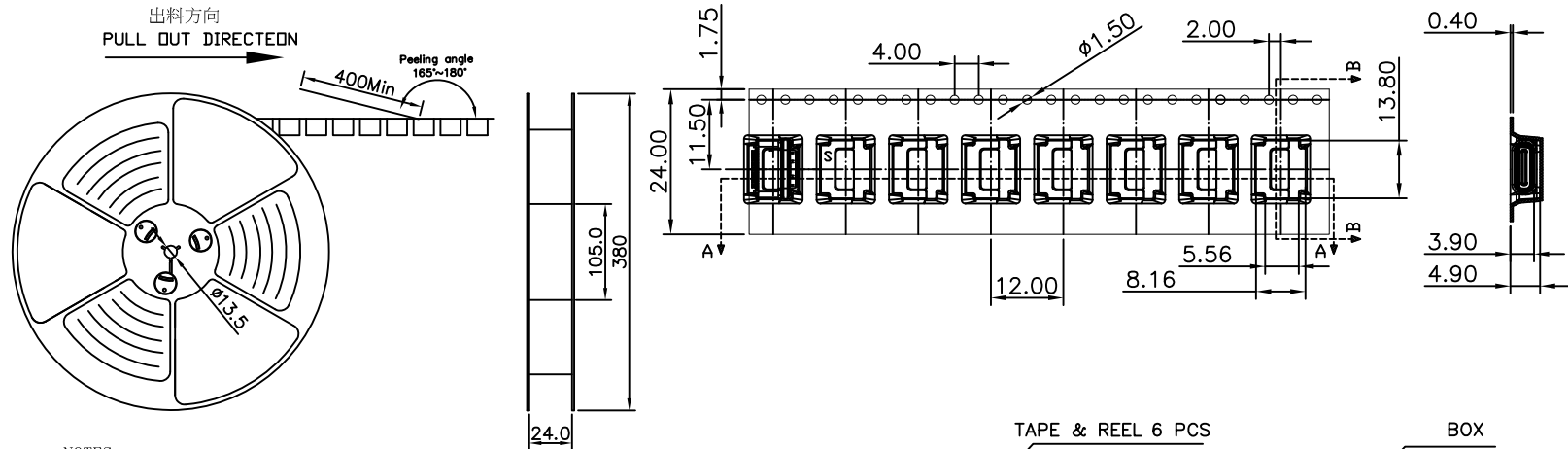
E

D

C

B

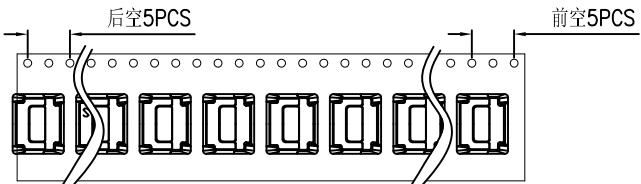
A



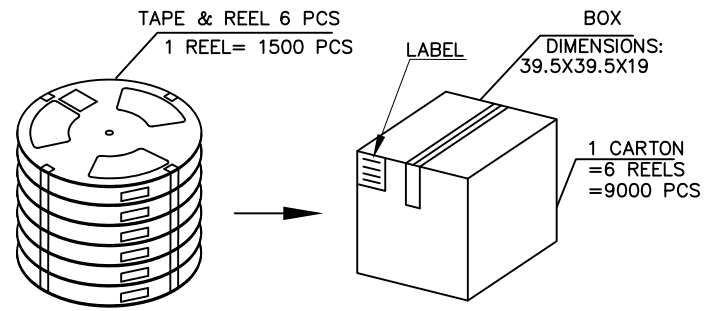
NOTES

1. 帶子引導長度
LEAD TAPE LENGTH
出料方向
PULL OUT DIRECTEON

出料方向
PULL OUT DIRECTEON



2. 上帶 剝力力為: 0.1~1.3N(10.2gf~130gf)
PEELING OFF FORCE OF TOP TAPE:0.1~1.3N(10.2gf~130gf)
出貨運輸過程中一定注意:
THIS REQUIREMENT SHOULD BE APPLIED AT SHIPMENT:
卷帶在運輸過程中不能散開
PEELING OFF SHOULD NOT BE ALLOWED DURING TRANSPORTATION



UNLESS OTHERWISE SPECIFIED TOLERANCES				Singatron Enterprise Co., Ltd.			
DECIMALS:		ANGLES:		TITLE	TYPE C 16 PIN 防水型		
DIM	TOL	DIM	TOL	DWN	Tony	PART NO. 2UC16W-1622-000H	
X.	±0.50	X.	±2°	CHKD	2022.3.11	SCALE 1:1	UNIT: mm
X.X	±0.30	X.X	±1°	APVD	Andy	SIZE: A3	SHEET: 3 OF 3
X.XX	±0.20	X.XX	///	REV: A1			
X.XXX	±0.10	X.XXX	///	CUSTOMER COPY			

1 2 3 4 5 6 7 8