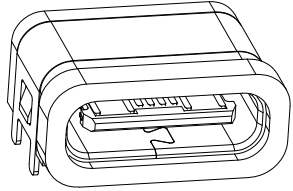
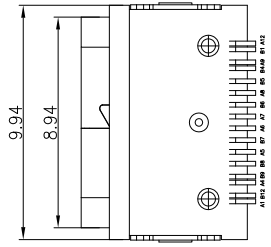
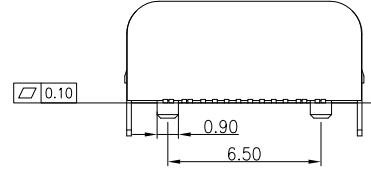
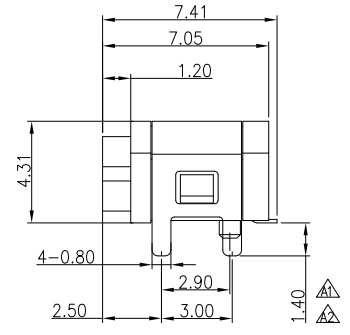
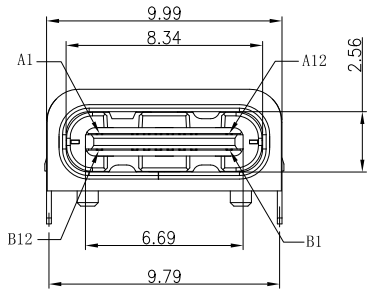


# GP Component

REV.	ECN NO.	LOCATIONS	DESCRIPTION	DATE	DESIGN
A0			Initial	2019/10/29	Ginny Liao
A1			Add Dimension	2020/11/05	Hanson
A2			Modify Dimension	2020/11/19	Ginny Liao



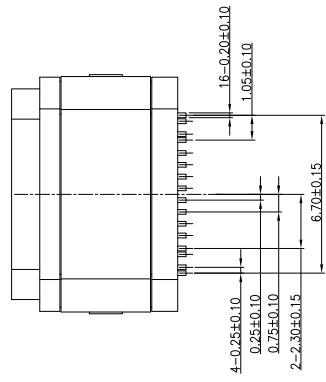
- NOTES:  
SPECIFICATION:
- CURRENT RATING: 5.0A MAX
  - VOLTAGE: 100 VAC
  - TEMPERATURE RANGE: -30 °C ~ 85 °C
  - CONTACT RESISTANCE: 40 MILLIONHM MAX
  - INSULATION RESISTANCE: 100 MEGOHMS MIN.
  - INSERTION FORCE : 5N~20N
  - UNMATING FORCE: 8N~20N
  - DURABILITY: 10,000 CYCLES
  - WATER PROOFNESS: THIS PRODUCT IS BASED ON IPX7.



PART NO: 2UC16W - XX - 435

Series number

Plating  
01:Gold Flash  
15:15u"  
30:30u"



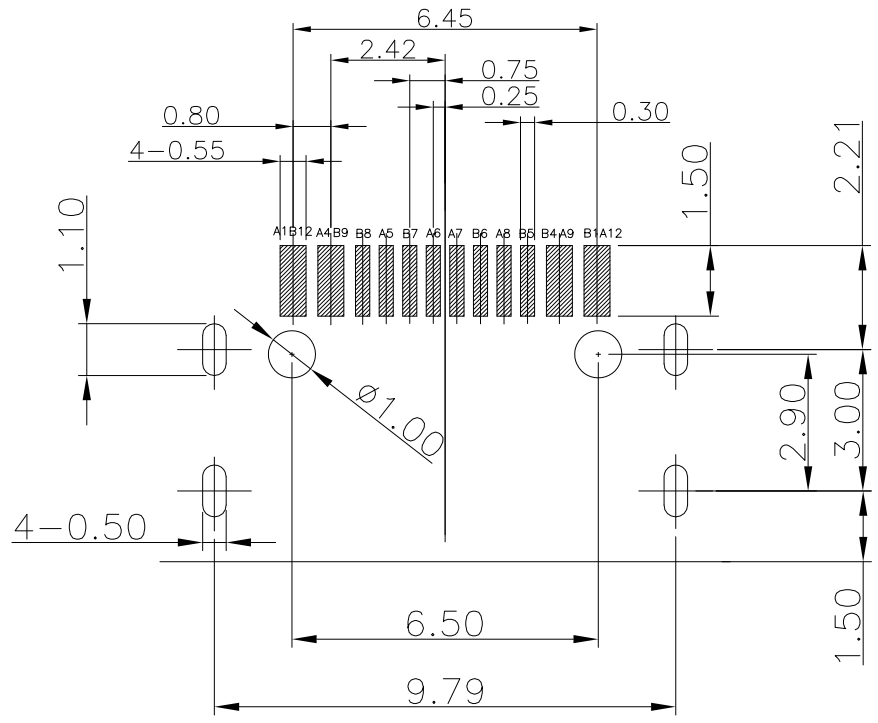
P/N	HOUSING COLOR	CONTACTS	
		FUNCTIONAL AREA	SOLDER AREA
2UC16W-01-435	BLACK	Au:1u"	Au:G/F
2UC16W-15-435	BLACK	Au:15u"	Au:G/F
2UC16W-30-435	BLACK	Au:30u"	Au:G/F

Singatron Enterprise Co., Ltd.			
TITLE	Type C 母头单排16P防水板上型成品		
DWN	Ginny Liao	PART NO.	2UC16W-XX-435
CHKD	2020/11/19	SCALE 1:1	UNIT: mm
APVD	Richard Hsieh	SIZE: A3	SHEET: 1 OF 2 REV: A2
CUSTOMER COPY			

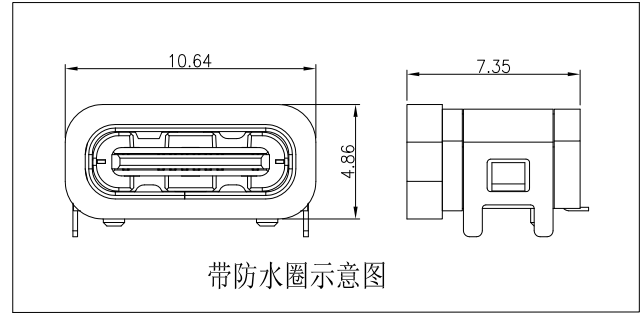
TOLERANCE:	
X.X	±0.38
X.XX	±0.25
X.XXX	±0.15
ANGLE:	±2°

# GP Component

REV.	ECN NO.	LOCATIONS	DESCRIPTION	DATE	DESIGN
A0			Initial	2019/10/29	Ginny Liao
A1			Add Dimension	2020/11/05	Hanson
A2			Modify Dimension	2020/11/19	Ginny Liao



RECOMMENDED P.C.B. LAYOUT  
 ▲ THICKNESS 1.0MM, TOLERANCE UNSPECIFIED ±0.05mm



带防水圈示意图

### USB TYPE-C PIN ASSIGNMENTS

PIN NUMBER	SIGNAL NAME	PIN NUMBER	SIGNAL NAME
A1	GND	B12	GND
A4	VBUS	B9	VBUS
A5	CC1	B8	SBU2
A6	Dp1	B7	Dn2
A7	Dn1	B6	Dp2
A8	SBU1	B5	CC2
A9	VBUS	B4	VBUS
A12	GND	B1	GND

NO.	DESCRIPTION	MATERIAL	REMARKS	QTY
6	防水圈	硅胶	BLACK	1PCS
5	SHELL	STAINLESS STEEL	NI Plated	1PCS
4	SHIELDING PLATE	STAINLESS STEEL	NI Plated	1PCS
3	CONTACT	COPPER ALLOY	TIN/Au/NI Plated	1SET
2	SHELL HOUSING	HIGH TEMPERATURE PLASTIC	BLACK	1PCS
1	HOUSING	HIGH TEMPERATURE PLASTIC	BLACK	1PCS

**Singatron Enterprise Co., Ltd.**

TITLE	Type C 母头单排16P防水板上型成品			
DWN	Ginny Liao	PART NO.	2UC16W-XX-435	
CHKD	2020/11/19	SCALE	1:1	UNIT: mm
APVD	Richard Hsieh	SIZE:	A3	SHEET: 2 OF 2 REV: A2
<b>CUSTOMER COPY</b>				

TOLERANCE:	
X.X	±0.38
X.XX	±0.25
X.XXX	±0.15
ANGLE:	±2°