

1 2 3 4 5 6 7 8

F

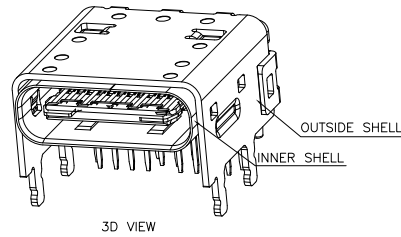
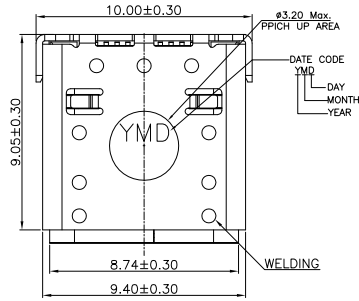
E

D

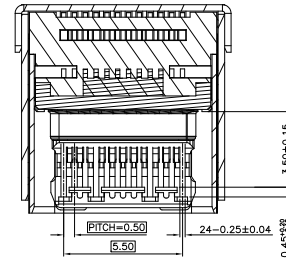
C

B

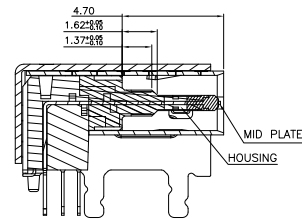
A



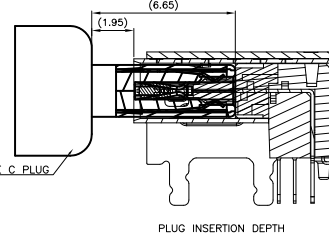
3D VIEW



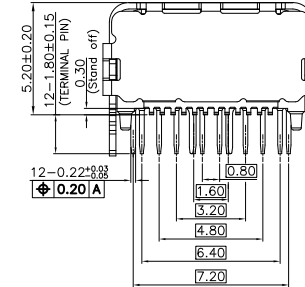
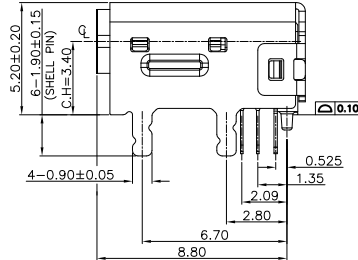
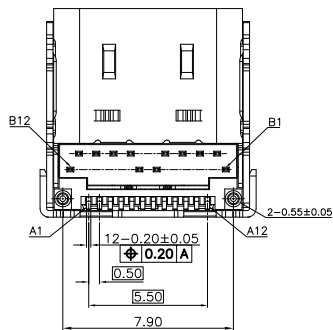
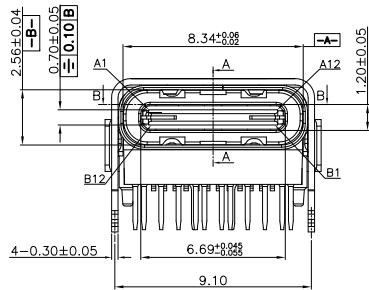
SECTION B-B



SECTION A-A



PLUG INSERTION DEPTH

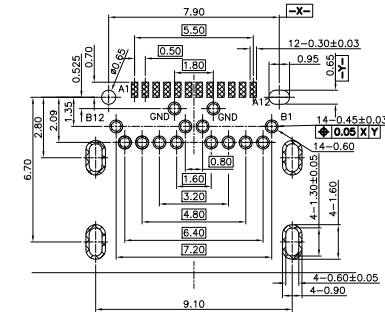


NOTES:

- MATERIAL:
 - OUTSIDE SHELL: SUS304-1/4H T=0.25mm
 - INNER SHELL: SUS301-1/2H T=0.20mm
 - MID PLATE: SUS301-H T=0.15mm
 - HOUSING: PA9T+45%G.F UL94V-0
 - DIP-TERMINARL: C7025 T=0.12mm
 - SMT-TERMINARL: C19400 T=0.12mm
- PLATING:
 - TERMINAL: SEE PIN
 - SHELL: NICKEL PLATED 50u"MIN.
- ELECTRICAL CHARACTERISTICS:
 - CURRENT RATING: 5.0 A
VOLTAGE RATING: 20.0 V
 - LLCR: VBUS& GND PINS: 40mΩ/PIN MAX
OTHER PINS: 40mΩ/PIN MAX
LLCR MAX. CHANGE OF ALL PINS: 10mΩ
 - INSULATION RESISTANCE: 100MΩ MIN.
- MECHANICAL CHARACTERISTICS:
 - INSERTION FORCE: 0.5~2.0kg.
 - WITHDRAWAL FORCE: 0.8~2.0kg.(INITIAL) 0.6~2.0kg.(AFTER LIFE TEST)
- LIFE TEST: 10000 CYCLES' MIN
- P/N: 2UC24-0847-XX0H

TERMINAL PLATING CODE:

- 00: GOLD FLASH ON MATING AREA, GOLD FLASH ON SOLDERING AREA, 50u"Min, NICKEL UNDER PLATING OVERALL
 15: 15u" Au ON MATING AREA, GOLD FLASH ON SOLDERING AREA, 50u"Min, NICKEL UNDER PLATING OVERALL
 30: 30u" Au ON MATING AREA, GOLD FLASH ON SOLDERING AREA, 50u"Min, NICKEL UNDER PLATING OVERALL



RECOMMENDED PCB LAYOUT(TOP VIEW)
(TOLERANCE=±0.05mm)

USB TYPE-C PIN ASSIGNMENTS:

A12	GND	B1	GND
A11	SSRXp2	B2	SSTXp2
A10	SSRXn2	B3	SSTXn2
A9	VBUS	B4	VBUS
A8	SBU1	B5	CC2
A7	Dn1	B6	Dp2
A6	Dp1	B7	Dn2
A5	CC1	B8	SBU2
A4	VBUS	B9	VBUS
A3	SSTXn1	B10	SSRXn1
A2	SSTXp1	B11	SSRXp1
A1	GND	B12	GND
PIN	SIGNAL NAME	PIN	SIGNAL NAME

UNLESS OTHERWISE SPECIFIED TOLERANCES

DECIMALS:		ANGLES:	
DIM	TOL	DIM	TOL
X.	±0.50	X.	±2°
X.X	±0.30	X.X	±1°
X.XX	±0.20	X.XX	///
X.XXX	±0.10	X.XXX	///

Singatron Enterprise Co., Ltd.

TITLE	USB TYPE C FEMALE CH=3.40		
DWN	Tony	PART NO.	2UC24-0847-XX0H
CHKD	2021.3.25	SCALE	1:1
APVD	Andy	SIZE	A3
UNIT:	mm	SHEET:	1 OF 2
REV:	A1	SHEET:	1 OF 2

CUSTOMER COPY

1 2 3 4 5 6 7 8

1 2 3 4 5 6 7 8

F

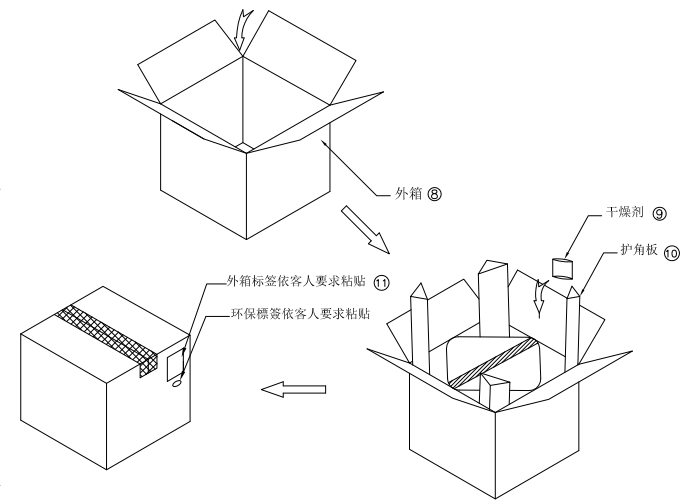
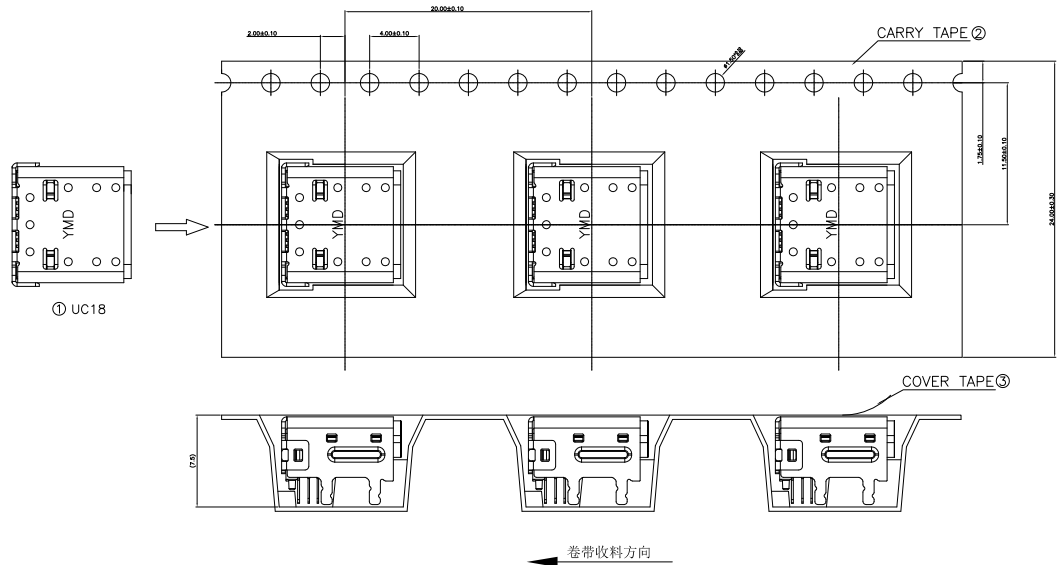
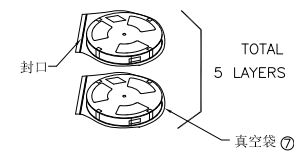
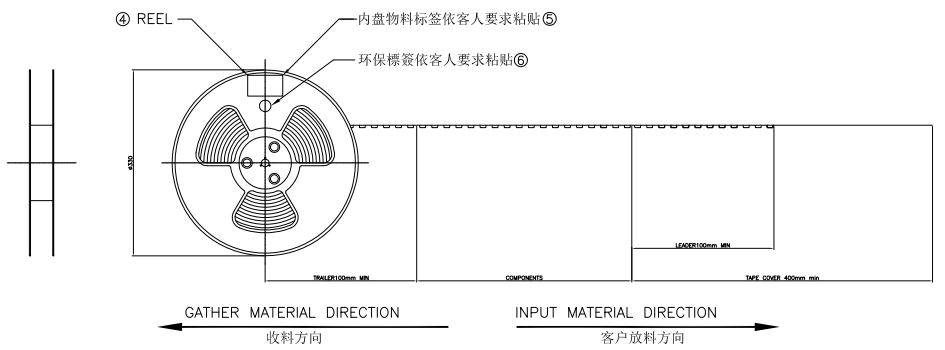
E

D

C

B

A



- Notes:
- 每卷卷带的开始端留160mm以上空格不装产品（参考值：15PCS），以实际包装数量装满后，结束端预留160mm以上空格不装产品（参考值：15PCS）
 - 卷带用自封胶带封口，1个卷盘放置400PCS产品；
 - 再绕一圈保护带，保护带后重量约50mm，每个外箱外侧面标签依客人要求粘贴；
 - 将PE袋套入外箱后，将5盘装好产品的卷盘依次放入纸箱，并在纸箱封角各放入干燥剂一袋；
 - 外箱外侧面以胶带封口，每个外箱外侧面标签依客人要求粘贴；
 - COVER TAPE与CARRY TAPE剥离力：20g~120g；剥离角度：165°~175°；剥离速度：250~300mm/min；
 - 包装数量：400PCS/REEL，5REEL/CARTON，共2000PCS/CARTON；
 - 此部品必须符合《环境管理物质管控标准》要求。

项目	品名	料号	规格	数量
①	UC18	UC18-10X-0002	USB TYPE C母座	2000PCS
②	CARRY TAPE	PA-120-0320	W=24mm P=20mm L=8.6M	5PCS
③	COVER TAPE	PA-130-0004	W=20.7mm	43m
④	REEL	—	D=φ13" x24mm	5PCS
⑤	内盘物料标签	—	—	5PCS
⑥	环保标签	PA-000-0017	φ20x13mm	6PCS
⑦	PE袋	PA-200-0004	480x400x0.10mm	5PCS
⑧	外箱	PA-011-0004	350x350x155mm K=K	1PCS
⑨	干燥剂	—	—	2PCS
⑩	护角板	PA-045-0002	100X100X140mm B=B	4PCS
⑪	外箱物料标签	—	—	1PCS

UNLESS OTHERWISE SPECIFIED TOLERANCES				Singatron Enterprise Co., Ltd.			
DECIMALS:		ANGLES:		TITLE	USB TYPE C FEMALE CH=3.40		
DIM	TOL	DIM	TOL	DWN	Tony	PART NO. 2UC24-0847-XX0H	
X.	±0.50	X.	±2°	CHKD	2021.3.25	SCALE 1:1	UNIT: mm
X.X	±0.30	X.X	±1°	APVD	Andy	SIZE: A3	SHEET: 2 OF 2
X.XX	±0.20	X.XX	—	REV: A1			
X.XXX	±0.10	X.XXX	—	CUSTOMER COPY			

1 2 3 4 5 6 7 8