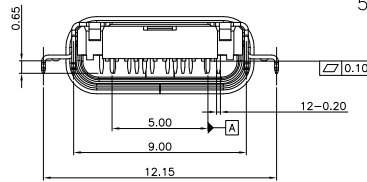
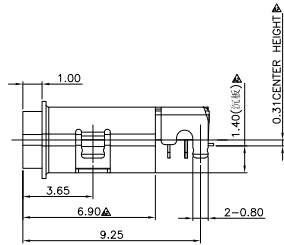
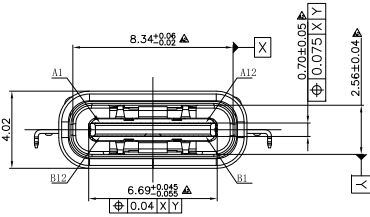
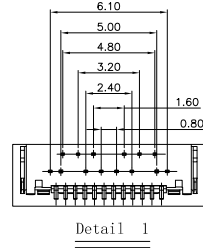
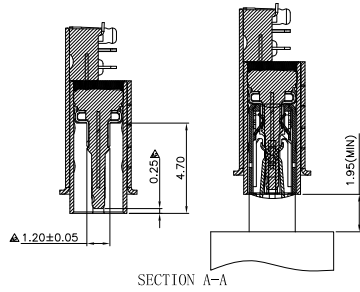
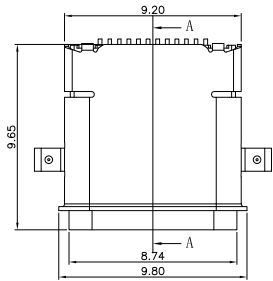
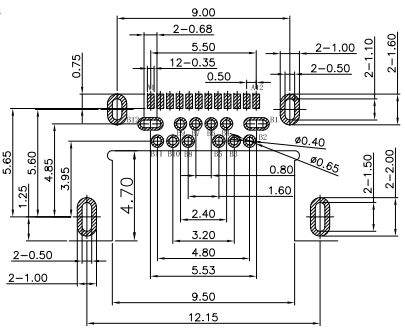
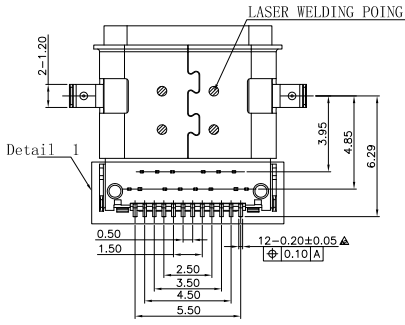
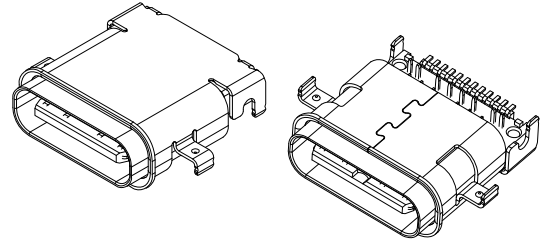


GP Component

REV.	ECN NO.	LOCATIONS	DESCRIPTION	DATE	DESIGN
A0			Initial	2017/07/28	Phebe Su
A1			Change tolerance	2019/02/20	Phebe Su
A2			Add Dimensions	2020/12/15	Ginny Liao



- NOTES:
- MATERIAL:
 - MOLDING: LCP BLACK UL94V-0
 - CONTACT: COPPER ALLOY, PLATED G/F ON CONTACT AREA, G/F ON SOLDER AREA, 50u" NICKEL PLATING OVER ALL.
 - SHELL: SUS304-H, T=0.30±0.03mm, 50u" NICKEL PLATING OVER ALL.
 - EMI SHILD: SUS304-H, T=0.12±0.03mm
 - LATCH: SUS301-H, T=0.15±0.03mm
 - MECHANICAL:
 - MATING FORCE: 5~20N.
 - UNMATING FORCE: 8~20N
 - DURABILITY: 10,000 CYCLES.
 - ELECTRICAL:
 - CURRENT: 5A MIN FOR VBUS; 0.25A MIN FOR OTHER.
 - VOLTAGE: 5VAC MAX
 - WITHSTANDING VOLTAGE: 100VAC MIN.
 - CONTACT RESISTANCE: 40mΩ MAX.
 - INSULATION RESISTANCE: 100MΩ MIN.
 - ENVIRONMENTAL:
 - OPERATING TEMPERATURE: -40°C TO +85°C
 - This material Complies with IP67.



Pin	Signal Name	Mating Sequence	Pin	Signal Name	Mating Sequence
A1	GND	First	B12	GND	First
A2	SSTxp1	Second	B11	SSRXp1	Second
A3	SSTXn1	Second	B10	SSRXn1	Second
A4	V _{bus}	First	B9	V _{bus}	First
A5	CC1	Second	B8	SBU2	Second
A6	Dp1	Second	B7	Dn2	Second
A7	Dn1	Second	B6	Dp2	Second
A8	SBU1	Second	B5	CC2	Second
A9	V _{bus}	First	B4	V _{bus}	First
A10	SSRXn2	Second	B3	SSTXn2	Second
A11	SSRXp2	Second	B2	SSTxp2	Second
A12	GND	First	B1	GND	First
SHELL	GND		SHELL	GND	

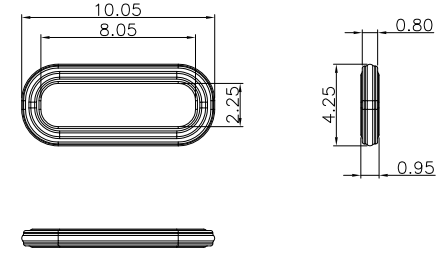
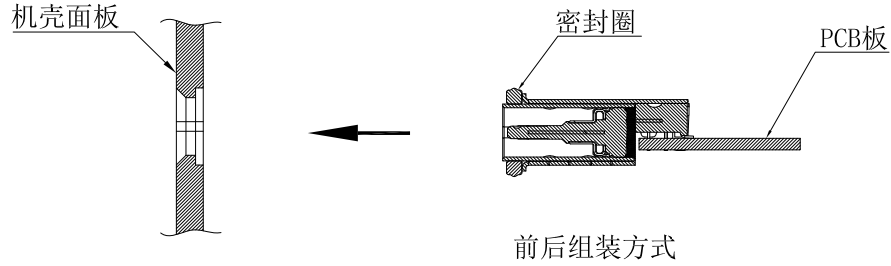
TOLERANCE:	
X.X	±0.25
X.XX	±0.15
X.XXX	±0.10
ANGLE:	±3°

Singatron Enterprise Co., Ltd.				
TITLE	USB 3.1 Type C Gen 2 Female Waterproof R/A, Offset type, CL 0.31			
DWN	Ginny Liao	PART NO.	2UC24W-01-264	
CHKD	2020/12/15	SCALE	1:1	UNIT: mm
APVD	Richard Hsieh	SIZE:	A3	SHEET: 1 OF 2 REV: A2
CUSTOMER COPY				

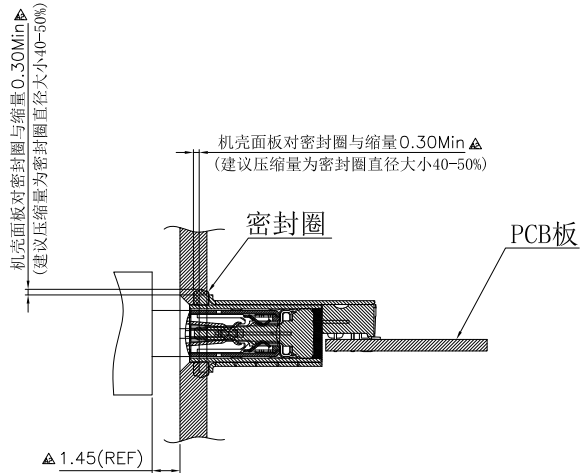
GP Component

REV.	ECN NO.	LOCATIONS	DESCRIPTION	DATE	DESIGN
A0			Initial	2017/07/28	Phebe Su
A1			Change tolerance	2019/02/20	Phebe Su
A2			Add Dimensions	2020/12/15	Ginny Liao

建议密封方式



建议防水圈规格 (材质硅橡胶)



组装面板后公母头对插示意图

PART NO:

2UC24W-01-264
 Series number
 Plating
 01:Gold Flash
 15:15u"
 30:30u"

TOLERANCE:	
X.X	±0.25
X.XX	±0.15
X.XXX	±0.10
ANGLE:	±3°

Singatron Enterprise Co., Ltd.				
TITLE	USB 3.1 Type C Gen 2 Female Waterproof R/A, Offset type, CL 0.31			
DWN	Ginny Liao	PART NO.	2UC24W-01-264	
CHKD	2020/12/15	SCALE	1:1	UNIT: mm
APVD	Richard Hsieh	SIZE:	A3	SHEET: 2 OF 2 REV: A2
CUSTOMER COPY				