

1 2 3 4 5 6 7 8

F

E

D

C

B

A

F

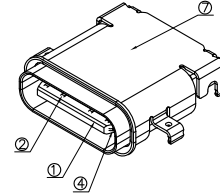
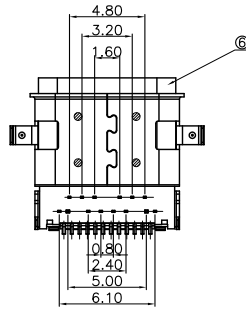
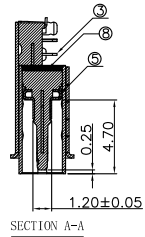
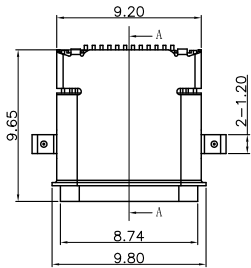
E

D

C

B

A

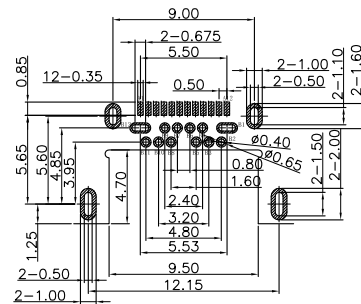
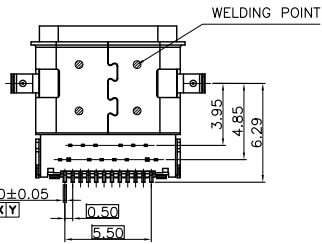
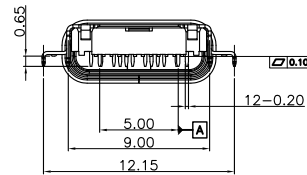
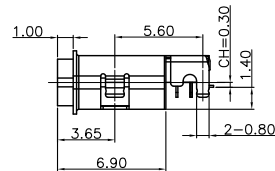
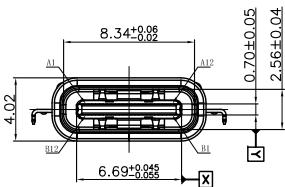


Pin Name	Signal Name	Mating Sequence	Pin Name	Signal Name	Mating Sequence
A1	GND	First	B12	GND	First
A2	SSTxp1	Second	B11	SSRxp1	Second
A3	SSTxm1	Second	B10	SSRxm1	Second
A4	Vas	First	B9	Vas	First
A5	CC1	Second	B8	SBU2	Second
A6	Dp1	Second	B7	Dp2	Second
A7	Dn1	Second	B6	Dp2	Second
A8	SBU1	Second	B5	CC2	Second
A9	Vas	First	B4	Vas	First
A10	SSRxm2	Second	B3	SSTxp2	Second
A11	SSRxp2	Second	B2	SSTxp2	Second
A12	GND	First	B1	GND	First
SHELL	GND		SHELL	GND	



NOTES:

- MATERIAL: SEE "TABLE 1";
- FINISH: SEE "TABLE 1";
- ELECTRICAL :
  - CONTACT CURRENT RATING :  
5A(VBUS PIN 1.5A/PIN),  
5A(GND PIN 1.25A/PIN MAX),0.25A/PIN(OTHER PIN).
  - INSULATION RESISTANCE :  
100 MEGAOHMS MIN. AT 250VDC.
  - DIELECTRIC WITHSTANDING VOLTAGE :  
100VAC MIN.
  - LOW LEVEL CONTACT RESISTANCE :  
INITIAL 40mΩ MAX.  
AFTER 50mΩ MAX.
- MECHANICAL CHARACTERISTICS :
  - MATING FORCE: 5~20N.
  - UNMATING FORCE: 8~20N(INITIAL),6~20N(AFTER 10000 CYCLES);
  - DURABILITY : 10,000 MATING CYCLES.
  - OPERATING TEMPERATURE :-40°C TO +80°C



RECOMMENDED P.C.B LAYOUT(Both sides are sample)  
Tolerance:±0.05,Thickness=0.60mm

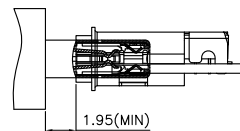


TABLE 1:

NO.	PART NAME	QTY	MATERIAL	DESCRIPTION	REMARK
⑧	GLUE WATER	1	Epoxy	BLACK;	
⑦	Shell-2	1	SUS	PEARL NI PLATING;	T=0.20mm
⑥	Shell-1	1	SUS	PEARL NI PLATING;	T=0.20mm
⑤	GND PLATE	1	SUS	NI PLATING;	T=0.10mm
④	MID PLATE	1	SUS		T=0.15mm
③	Terminal-B	12		CONTACT AREA:AU15u"	T=0.12mm
②	Terminal-A	12	C7025	CONTACT AREA:AU15u"	T=0.12mm
①	Housing	1	PA9T	Black	

UNLESS OTHERWISE SPECIFIED TOLERANCES

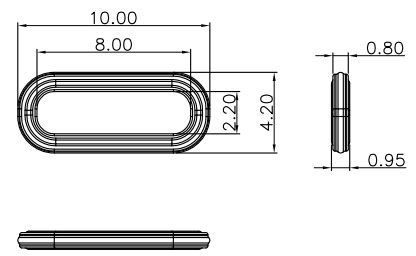
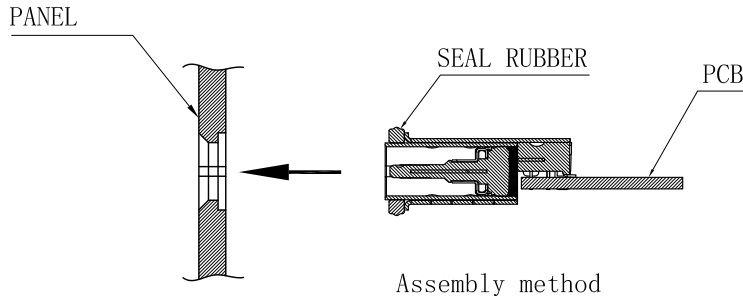
DECIMALS:		ANGLES:	
DIM	TOL	DIM	TOL
X.	±0.50	X.	±2°
X.X	±0.30	X.X	±1°
X.XX	±0.20	X.XX	
X.XXX	±0.10	X.XXX	

Singatron Enterprise Co., Ltd.

TITLE	USB 3.1 CF WATERPROOF SINKING TYPE(CH=0.30)		
DWN	Tony	PART NO.	2UC24W-0854-200H
CHKD	2020. 8. 21	SCALE 1:1	UNIT: mm
APVD	Andy	SIZE: A3	SHEET:1 OF 3
		REV:	A1

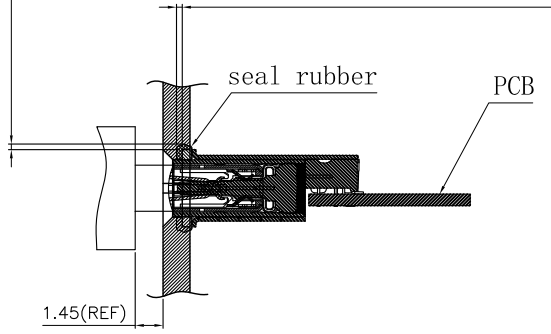
CUSTOMER COPY

1 2 3 4 5 6 7 8



Space(Panel with Seal Rubber)0.30Min  
 (The amount of compression is recommended  
 as 40%~50% of seal rubber O.D.)

Space(Panel with Seal Rubber)0.30Min  
 (The amount of compression is recommende  
 as 40%~50% of seal rubber O.D.)



Recommended Assembly

Seal Rubber For Reference

UNLESS OTHERWISE SPECIFIED TOLERANCES				<b>Singatron Enterprise Co., Ltd.</b>			
DECIMALS:		ANGLES:		TITLE	USB 3.1 CF WATERPROOF SINKING TYPE(CH=0.30)		
DIM	TOL	DIM	TOL	DWN	Tony	PART NO.	2UC24W-0854-200H
X.	±0.50	X.	±2°	CHKD	2020.8.21	SCALE 1/1	UNIT: mm
X.X	±0.30	X.X	±1°	APVD	Andy	SIZE: A3	SHEET:2 OF 3
X.XX	±0.20	X.XX	///	REV: A1			
X.XXX	±0.10	X.XXX	///	<b>CUSTOMER COPY</b>			

1 2 3 4 5 6 7 8

F

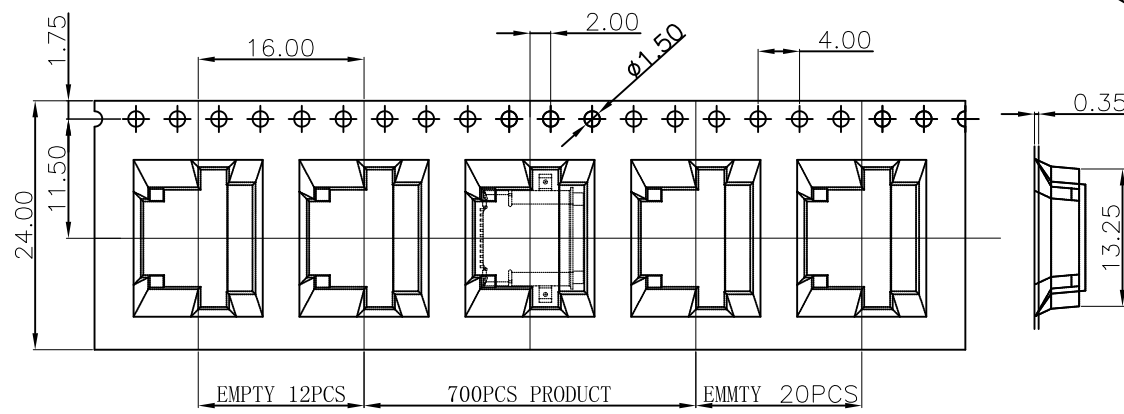
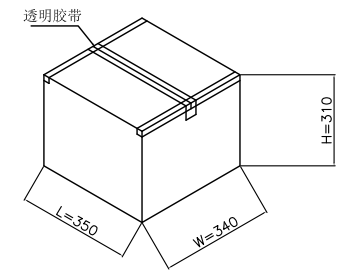
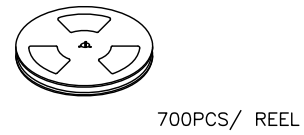
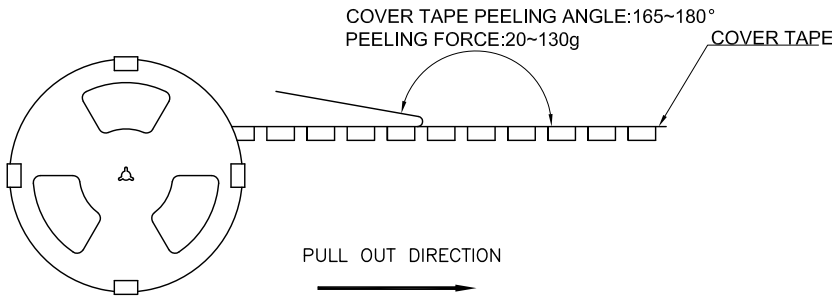
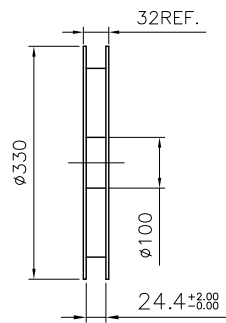
E

D

C

B

A



7000PCS/ 10REEL/ CARTON

WATERPROOF RING PACKING (INDEPENDENT)

5000	6	30000
PCS/BAG	BAG/CASE	PCS/CASE

UNLESS OTHERWISE SPECIFIED TOLERANCES

DECIMALS:		ANGLES:	
DIM	TOL	DIM	TOL
X	±0.50	X	±2°
X.X	±0.30	X.X	±1°
X.XX	±0.20	X.XX	±1'
X.XXX	±0.10	X.XXX	±10"

**Singatron Enterprise Co., Ltd.**

TITLE	USB 3.1 CF WATERPROOF SINKING TYPE(CH=0.30)		
DWN	Tony	PART NO.	2UC24W-0854-200H
CHKD	2020. 8. 21	SCALE 1:1	UNIT: mm
APVD	Andy	SIZE: A3	SHEET: 3 OF 3
		REV:	A1

**CUSTOMER COPY**

1 2 3 4 5 6 7 8