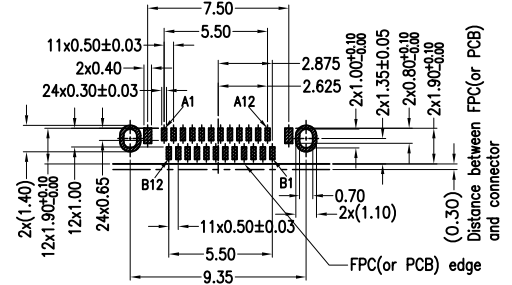


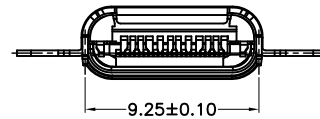
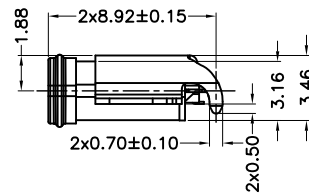
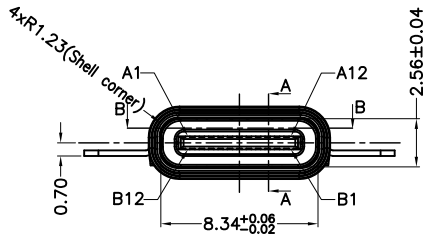
SECTION C-C
 SCALE 2:1



RECOMMENDED PCB LAYOUT
 DEFAULT TOLERANCE:±0.05

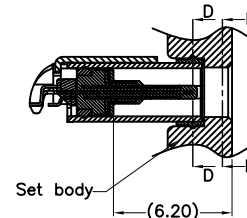
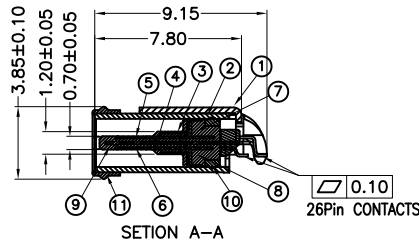
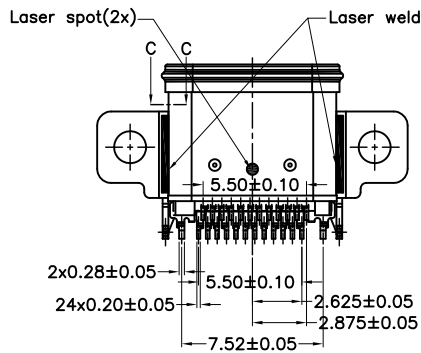
SPECIFICATION:

- RATING: DC 5V 3A
- CONTACT RESISTANCE: 40mΩ MAX.
- INSULATION RESISTANCE: 100 MΩ MIN.
- WITHSTAND VOLTAGE: 500 VAC
- INSERTION FORCE: 5N~20N
- EXTRACTION FORCE: 6N~20N
- DURABILITY: 10,000 CYCLES

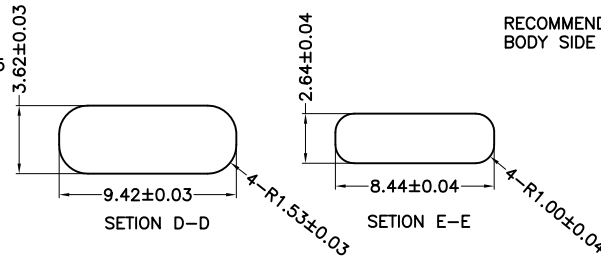


PIN DEFINITION:

A1	A2	A3	A4	A5	A6	A7	A8	A9	A10	A11	A12
GND	TX1+	TX1-	VBus	CC1	D+	D-	SBU1	VBus	RX2-	RX2+	GND
GND	RX1+	RX1-	VBus	SBU2	D-	D+	CC2	VBus	TX2-	TX2+	GND
B12	B11	B10	B9	B8	B7	B6	B5	B4	B3	B2	B1



RECOMMENDED SET BODY SIDE HOLE SHAPE



Item	Title	Material	Dispose
1	Frame	Stainless Steel, T=0.30	Ni:40u" Min.
2	Shell	Stainless Steel, T=0.30	Ni:40u" Min.
3	GND Plate	Stainless Steel, T=0.10	None
4	Mid Plate	Stainless Steel, T=0.15	Ni 40u"Min.+Solder area Au 1u"Min
5	Top Contact	Copper Alloy, T=0.12	Mating Area: Ni 80u"+Au 15u" Min.
6	Bottom Contact	Copper Alloy, T=0.12	Solder Tails: Ni 80u"+Au 1u" Min.
7	Housing A	High Temperature Plastic	UL 94V-0/Black
8	Housing B	High Temperature Plastic	UL 94V-0/Black
9	Housing C	High Temperature Plastic	UL 94V-0/Black
10	Rubber(O-ring)	SI	White or Gray
11	Rubber	SI	Black

UNLESS OTHERWISE SPECIFIED TOLERANCES

DECIMALS:		ANGLES:	
DIM	TOL	DIM	TOL
X.	±0.50	X.	±2°
X.X	±0.30	X.X	±1°
X.XX	±0.20	X.XX	///
X.XXX	±0.10	X.XXX	///

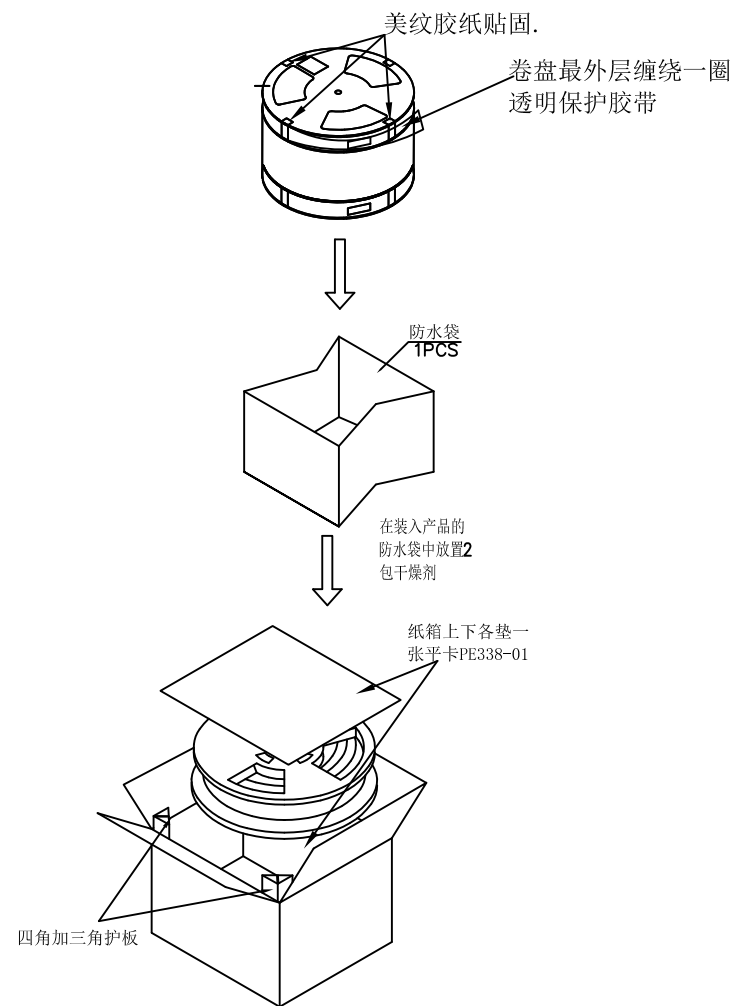
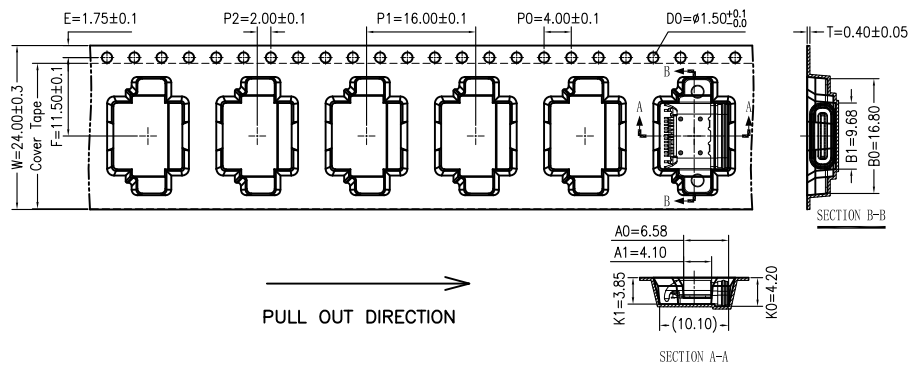
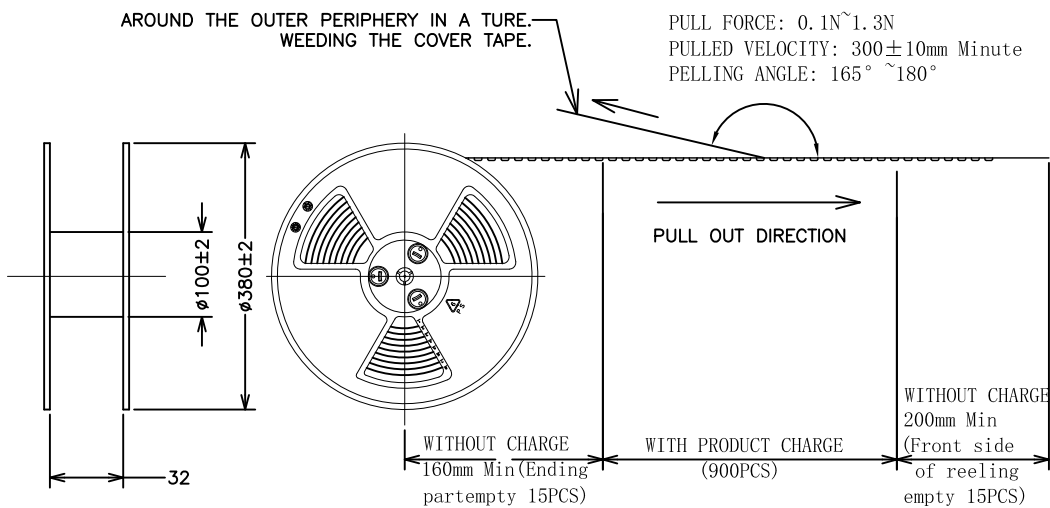
Singatron Enterprise Co., Ltd.

TITLE	USB TYPE-C 24P母座 防水型		
DWN	Tony	PART NO.	2UC24W-1252-000H
CHKD	2021.2.20	SCALE 1:1	UNIT: mm
APVD	Andy	SIZE: A3	SHEET:1 OF 2
		REV:	A1

CUSTOMER COPY

包装规范说明:

1. 如图所示首先CARRIER TAPE (载带) 需先预留10PCS空格后方可置入成品,并附COVER TPAE(上带)覆盖于上,再配合带装机自动卷绕于REEL(塑胶卷轴)收料.
2. 在定量包装完成后,前端CARRIER TAPE亦需预留15PCS空格,而COVER TPAE配合CARRIER TYPE长度覆盖后,并须再超出200mm以上,最后以胶纸贴固,最外圈用保护带缠绕一圈,并于REEL盘上方贴好标签.
3. 注意:COVER TAPE不可浮起或有贴附不顺,歪斜及成品放置方向错误之现象.
4. 在纸箱内左右,前后侧各放入一块三角卡板,每个PE袋中装入5个REEL盘,并在PE袋中放入2PCS干燥剂,用胶带封好.在每个纸箱内装入10PCS卷盘,共2叠.上下各垫一张平卡,盖上箱盖后以胶带封箱,于侧位置贴好标签.
5. 零箱部分, 出货时须用缓冲物填满.



UNLESS OTHERWISE SPECIFIED TOLERANCES

DECIMALS:		ANGLES:	
DIM	TOL	DIM	TOL
X.	±0.50	X.	±2°
X.X	±0.30	X.X	±1°
X.XX	±0.20	X.XX	
X.XXX	±0.10	X.XXX	

Singatron Enterprise Co., Ltd.

TITLE	USB TYPE-C 24P母座 防水型		
DWN	Tony	PART NO. 2UC24W-1252-000H	
CHKD	2021.2.20	SCALE 1:1	UNIT: mm
APVD	Andy	SIZE: A3	SHEET: 2 OF 2
		REV: A1	

CUSTOMER COPY