

SPECIFICATION:
 1.ELECTRICAL:
 1-1:CURRENT RATING:
 VBUS AND GND CONTACTS RATED AT 1.25A
 PARALLELED FOR A TOTAL OF 5A;
 1-2:INITIAL CONTACT RESISTANCE :40 MILLIOHMS
 1-3:DIELECTRIC WITHSTANDING VOLTAGE:100V AC MIN;
 2:MECHANICAL CHARACTERISTICS:
 2-1:MATING FORCE:5~20N
 2-2:UNMATING FORCE:8~20N(INITIAL),6~20N(AFTER 10000 CYCLES)
 2-3:FREQUENCY:200±50 CYCLES/HOUR,10000 CYCLES
 2-4:OPERATING TEMPERATURE; -40°~80°
 3:WATERPROOF: IPX7.

RECOMMEND PCB LAYOUT

TABLE B TOL=±0.05

A1	GND	B12	GND
A2	SSTXP1	B11	SSRXP1
A3	SSTXN1	B10	SSRXN1
A4	VBUS	B9	VBUS
A5	CC1	B8	SBU2
A6	DP1	B7	DN2
A7	DN1	B6	DP2
A8	SBU1	B5	CC2
A9	VBUS	B4	VBUS
A10	SSRXN2	B3	SSTXN2
A11	SSRXP2	B2	SSTXP2
A12	GND	B1	GND
PIN	SIGNAL NAME	PIN	SIGNAL NAME

TABLE A

6	RING	SILICON	---	1PCS
5	MID-PLANT	STAINLESS STEEL	---	1PCS
4	GND-PLANT	STAINLESS STEEL	Ni/SN Plated	1PCS
3	SHELL	ZN-ALLOY	---	1PCS
2	CONTACT	COPPER ALLOY	Au/Ni Plated	2SET
1	HOUSING	HIGH TEMPERATURE PLASTIC	BLACK	1PCS
NO.	DESCRIPTION	MATERIAL	FINISH PLANTED	QTY

UNLESS OTHERWISE SPECIFIED TOLERANCES

DECIMALS:		ANGLES:	
DIM	TOL	DIM	TOL
x.	±0.50	x.	±2°
x.x	±0.30	x.x	±1°
x.xx	±0.20	x.xx	///
x.xxx	±0.10	x.xxx	///

Singatron Enterprise Co., Ltd.

TITLE	USB TYPE C 24PIN 防水型		
DWN	Tony	PART NO.	2UC24W-1767-000H
CHKD	2023.5.7	SCALE	1:1 UNIT: mm
APVD	Andy	SIZE	A3 SHEET: 1 OF 2
		REV:	A1

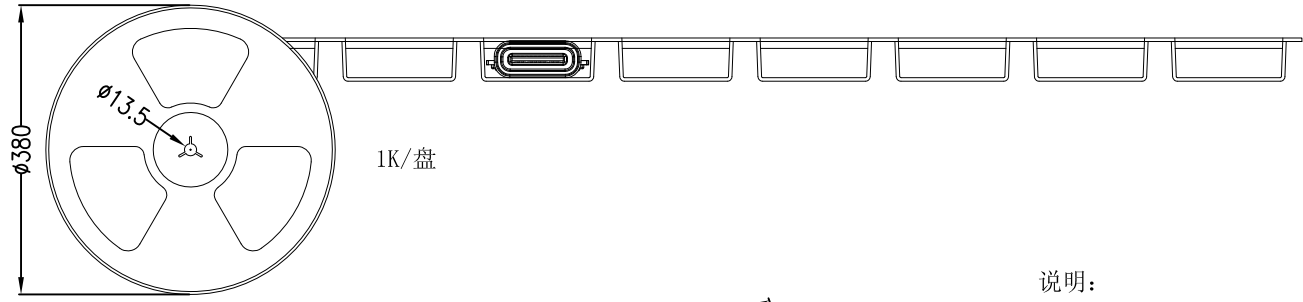
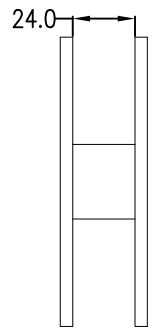
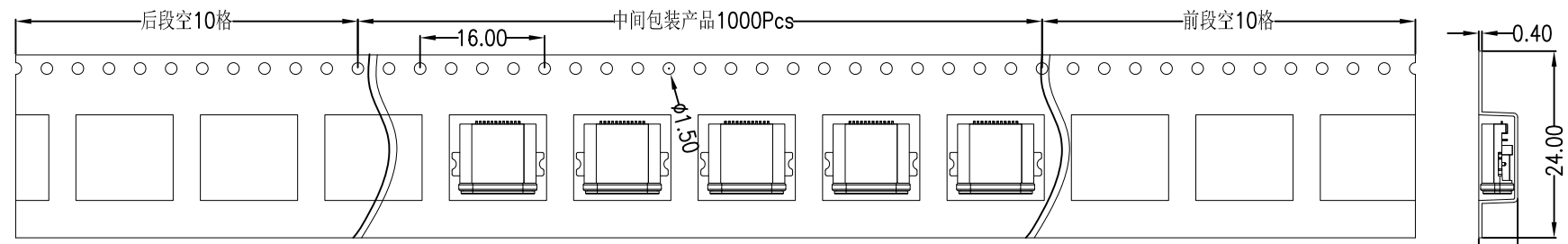
CUSTOMER COPY

1 2 3 4 5 6 7 8

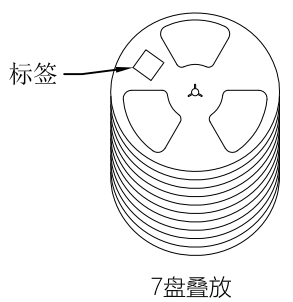


F

拉出方向



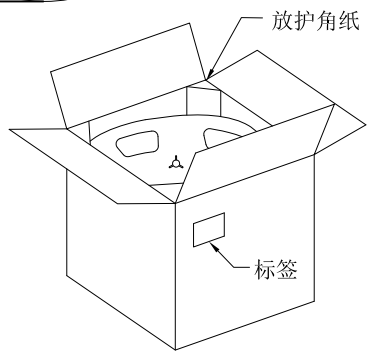
1K/盘



7盘叠放



装箱

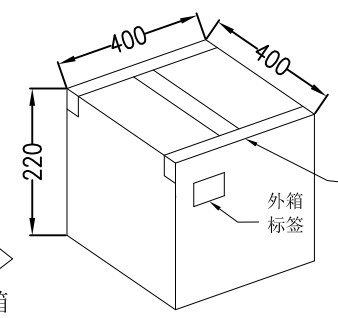


放护角纸

标签



封箱



透明胶封箱

外箱
标签

说明:

所有包材均符合ROHS 2.0环保标准.

1.材质

1.1 上带材质:PS 透明

1.2 截带材质:PS 透明

1.3 胶盘材质:PS 蓝色

2.包装数量:1K/盘,7K/箱.

C

B

A

UNLESS OTHERWISE SPECIFIED TOLERANCES

DECIMALS:		ANGLES:	
DIM	TOL	DIM	TOL
X.	±0.50	X.	±2°
X.X	±0.30	X.X	±1°
X.XX	±0.20	X.XX	///
X.XXX	±0.10	X.XXX	///

Singatron Enterprise Co., Ltd.

TITLE	USB TYPE C 24PIN 防水型			
DWN	Tony	PART NO.	2UC24W-1767-000H	
CHKD	2023.5.7	SCALE	1:1	UNIT: mm
APVD	Andy	SIZE: A3	SHEET: 2 OF 2	REV: A1

CUSTOMER COPY

1 2 3 4 5 6 7 8

