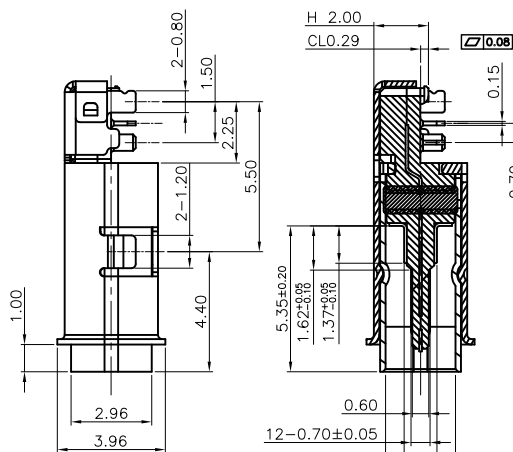
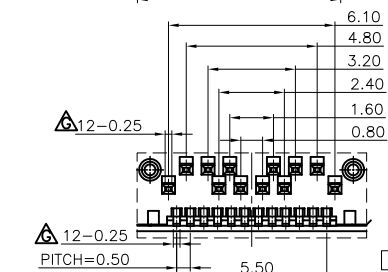
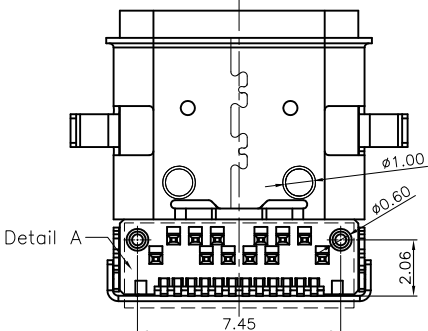
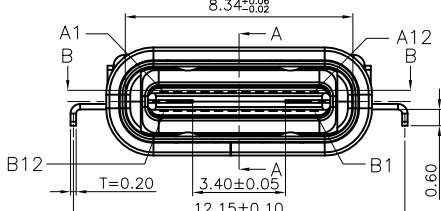
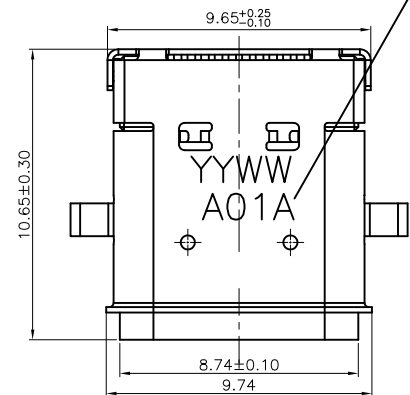


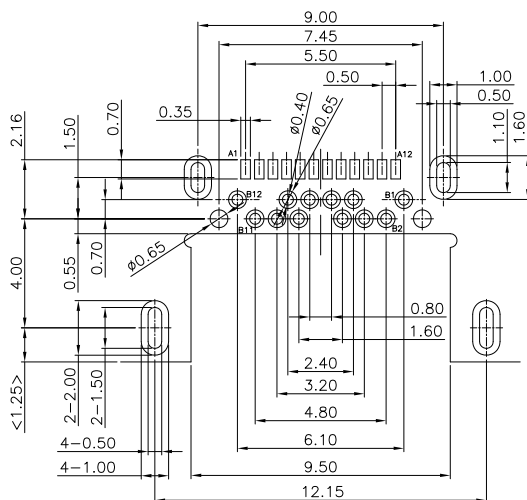


RoHS Compliant HSF
2013/95/EC

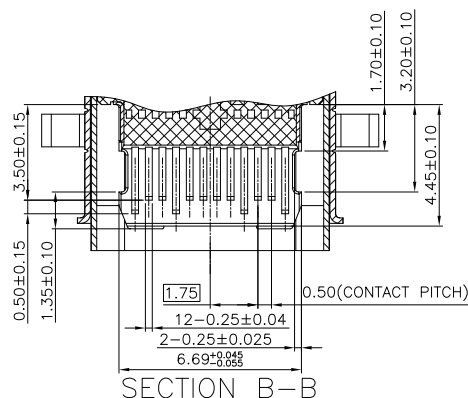
YYWW — 年周
A01A — 固定



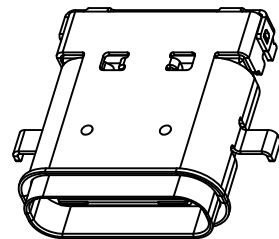
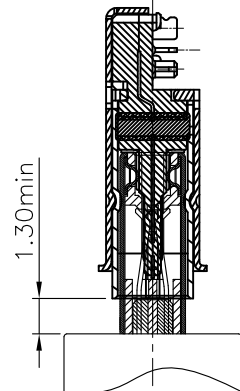
SECTION A-A



RECOMMEND P.C.B LAYOUT (COMPONENT SIDE)
TOLERANCE FOR PCB LAYOUT IS ±0.05



SECTION B-B



Pin	Signal Name	Mating Sequence	Pin	Signal Name	Mating Sequence
A1	GND	First	B12	GND	First
A2	SSTXp1	Second	B11	SSRXp1	Second
A3	SSTXn1	Second	B10	SSRXn1	Second
A4	V _{BUS}	First	B9	V _{BUS}	First
A5	CC1	Second	B8	SBU2	Second
A6	Dp1	Second	B7	Dn2	Second
A7	Dn1	Second	B6	Dp2	Second
A8	SBU1	Second	B5	CC2	Second
A9	V _{BUS}	First	B4	V _{BUS}	First
A10	SSRXn2	Second	B3	SSTXn2	Second
A11	SSRXp2	Second	B2	SSTXp2	Second
A12	GND	First	B1	GND	First
SHELL	GND		SHELL	GND	

NOTE:

- MATERIAL:
 - INSULATOR: HIGH TEMPERATURE PLASTIC UL 94 V-0;
 - CONTACT: COPPER ALLOY(T=0.15mm)
 - SHELL: STAINLESS STEEL(T=0.20mm)
- ELECTRICAL CHARACTERISTICS:
 - CONTACT RESISTANCE: 40mΩ Max FOR INITIAL. 10mΩ CHANGE AFTER TEST. MEASURE AT 20mV, 100mA.
 - CONTACT CURRENT RATING: 5A FOR V_{BUS} PIN; 1.25A FOR VCONN PIN.
 - DIELECTRIC WITHSTANDING VOLTAGE: 100V AC R.M.S.
 - INSULATION RESISTANCE 100MΩ Min
 - OPERATING TEMPERATURE: -40°C ~ 85°C
- MECHANICAL CHARACTERISTICS:
 - MATING FORCE: 5~20 N.
 - UNMATED FORCE: 8~20N AFTER TEST
 - DURABILITY: 10,000 CYCLES
- PLATING
 - TERMINAL CONTACT: (SEE TAB) GOLD PLATING ALL OVER 50u" Min NICKEL AND 80u"Min Tin ALL OVER 50u" Min NICKEL ON SOLDER AREA
 - OUT SHELL: 50u" Min. NICKEL ALL OVER
 - INNER SHELL: DEGREASE

5. 料号: 2UC24W-32X39-23A

- 1: Tray 2: Tape reel
- 1: G/F 2: 5u" 3: 10u"
- 4: 15u" 5: 30u"

Singatron Enterprise Co., Ltd.

REV.	DESCRIPTION	ECN NO.	DWN.	CHK.	APVD.	DATE
I	修改内壳2.56尺寸管控	20210323016	ZLH	FCC	FCC	2021.03.23
G	端子焊脚由0.28改为0.25		lhp.liu	lhp.liu	Nalson	2019.06.13
F	Cancel spot welding of shell	201901030003	GAORUI	Chain	DC	2019.01.03

TOLERANCES UNLESS OTHERWISE SPECIFIED	
UNIT	(MM)
X.	±0.50
XX	±0.30
X.XX	±0.20
X.XXX	±0.10
ANGEL	±2°

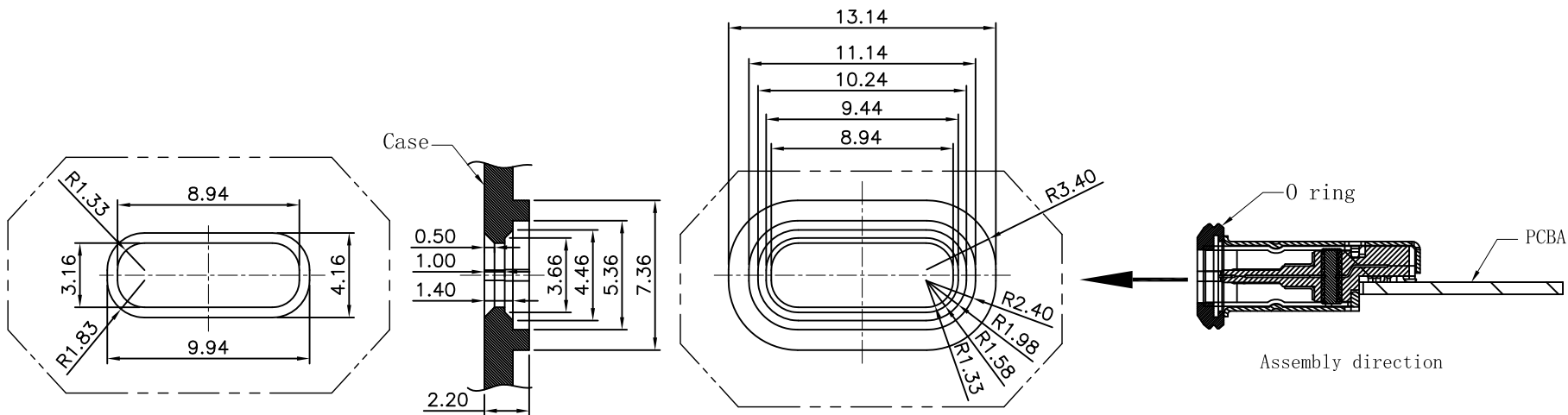
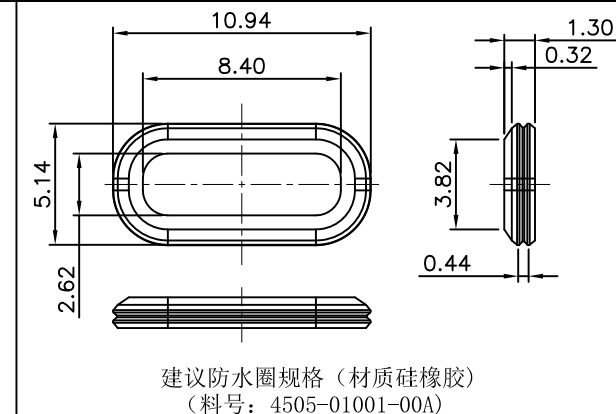
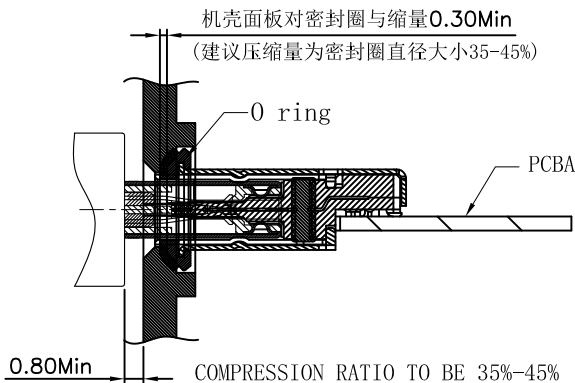
TITLE	USB 3.1 CF WATERPROOF CL0.29 H2.00mm DIP TYPE IPX7				
DWN	Rain	PART NO.	2UC24W-32X39-23A		
CHKD	2016.04.05	SCALE	1:1	UNIT:	mm
APVD	CC.Feng	SIZE:	A3	SHEET:	1 OF 3
REV: 1					

CUSTOMER COPY



RoHS Compliant
2013/95/EC

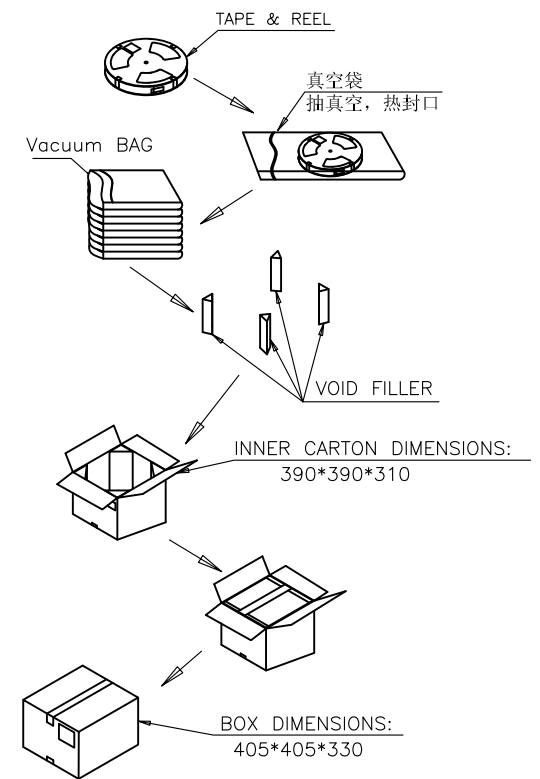
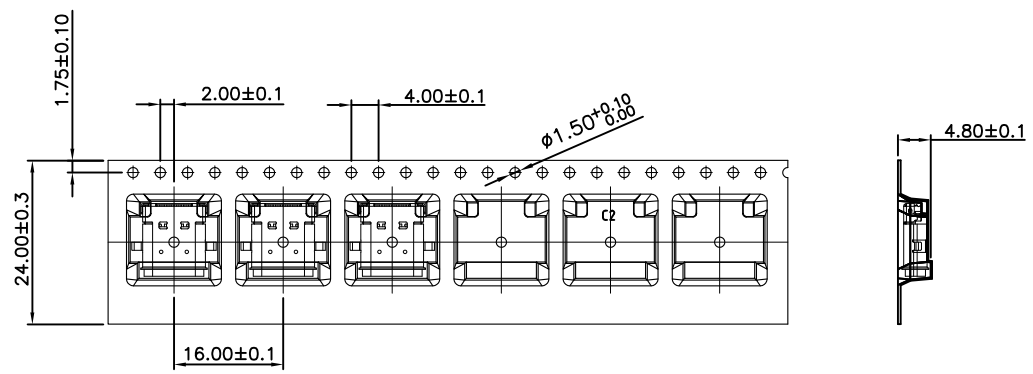
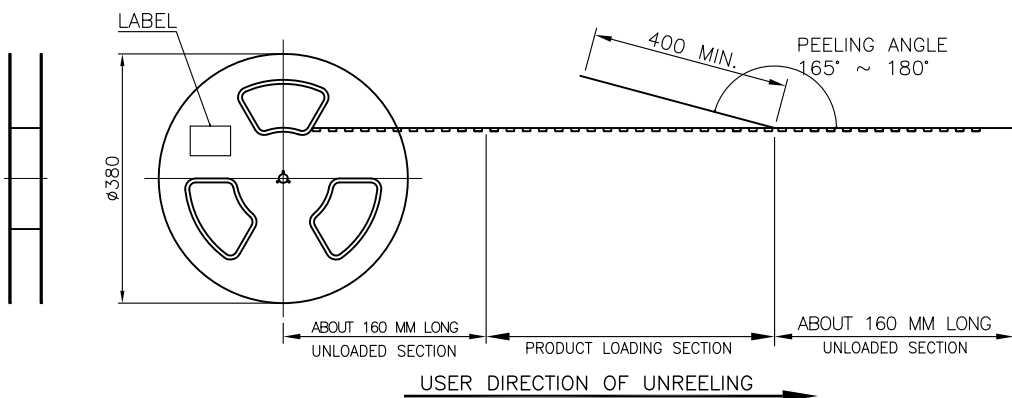
HSF



RECOMMENDED OPEN DIMENSION OF CASE
TOLERANCE: $\pm 0.03\text{mm}$
MATTING AREA WITH SEALING RING

Singatron Enterprise Co., Ltd.			
TITLE	USB 3.1 CF WATERPROOF CLO.29 H2.00mm DIP TYPE		
DWN	Rain	PART NO. 2UC24W-32X39-23A	
CHKD	2016.04.05	SCALE 1:1	UNIT: mm
APVD	CC.Feng	SIZE: A3	SHEET: 2 OF 3
			REV: 1
CUSTOMER COPY			

△ I	修改内壳2.56尺寸管控	20210323016	ZLH	FCC	FCC	2021.03.23
△ H	修改包装	20200316017	GAORUI	Nelson	Nelson	2020.03.16
△ G	Cancel spot welding of shell 0.25" 0.25"		Ihp.liu	Ihp.liu	Nelson	2019.06.13
F		201901030003	GAORUI	Chain	DC	2019.01.03
REV.	DESCRIPTION	ECN NO.	DWN.	CHK.	APVD.	DATE



NOTE:

- 1.MATERIAL:
BOX: FIBREBOARD, CORRUGATED, DOUBLE WALL.
TAPE: POLYSTYRENES, HEAT-RESISTANT TEMPERATURE: 120°C, BLACK COLOR.
REEL: POLYSTYRENES, HEAT-RESISTANT TEMPERATURE: 70°C, BLUE COLOR.
BAG: POLYETHYLENE, HEAT-RESISTANT TEMPERATURE: 100°C.
- 2.PEELING STRENGTH: 0.1 ~ 1.3 N (10 ~ 130 GRAMS)
- 3.PEELING SPEED: 300 mm/min.
- 4.EACH BAG SHALL BE INCLUDED DESICCANT.
5. Storage conditions: temperature: 18°C-25°C,
▲ Humidity <60%, after removal Vacuum packaging within a week of welding plate use.

1000	10	10000 PCS	-- KG	-- KG
PCS/ REEL	REELS/ CARTON	QUANTITY	GROSS WEIGHT	NET WEIGHT

Singatron Enterprise Co., Ltd.

△	I	修改内壳2.56尺寸管控	20210323016	ZLH	FCC	FCC	2021.03.23
△	H	修改包装	20200316017	GAORUI	Nalson	Nalson	2020.03.16
△	G	端子焊脚由 0.28mm/0.25		lhp.liu	lhp.liu	Nalson	2019.06.13
	F	Cancel spot welding of shell	201901030003	GAORUI	Chain	DC	2019.01.03
REV.	DESCRIPTION	ECN NO.	DWN.	CHK.	APVD.	DATE	

TITLE	USB 3.1 CF WATERPROOF CLO.29 H2.00mm DIP TYPE				
DWN	Rain	PART NO.	2UC24W-32X39-23A		
CHKD	2016.04.05	SCALE	1:1	UNIT:	mm
APVD	CC.Feng	SIZE:	A3	SHEET:	3 OF 3
		REV:	1		

CUSTOMER COPY