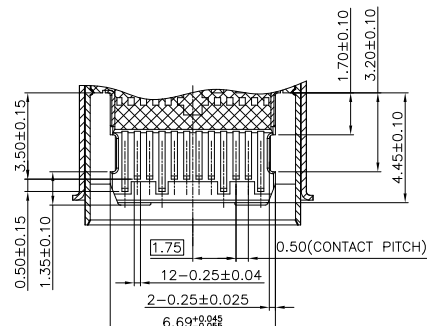
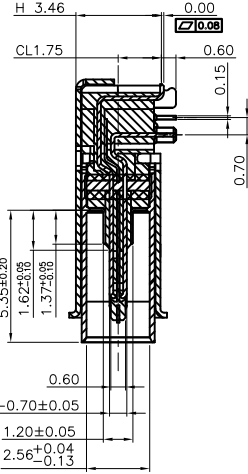
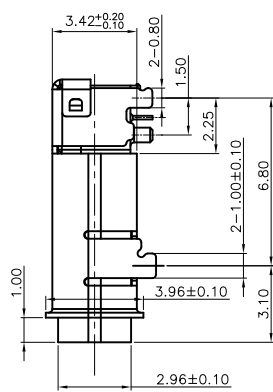
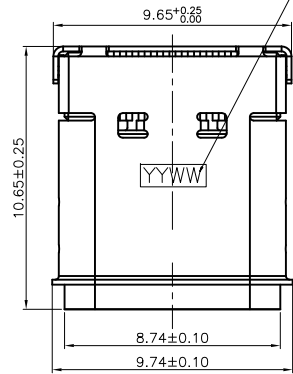




RoHS Compliant HSF
2013/95/EC

YYWW — 年周



SECTION B-B

Pin	Signal Name	Mating Sequence	Pin	Signal Name	Mating Sequence
A1	GND	First	B12	GND	First
A2	SSTXp1	Second	B11	SSRXp1	Second
A3	SSTXn1	Second	B10	SSRXn1	Second
A4	V _{BUS}	First	B9	V _{BUS}	First
A5	CC1	Second	B8	SBU2	Second
A6	Dp1	Second	B7	Dn2	Second
A7	Dn1	Second	B6	Dp2	Second
A8	SBU1	Second	B5	CC2	Second
A9	V _{BUS}	First	B4	V _{BUS}	First
A10	SSRXn2	Second	B3	SSTXn2	Second
A11	SSRXp2	Second	B2	SSTXp2	Second
A12	GND	First	B1	GND	First
SHELL	GND		SHELL	GND	

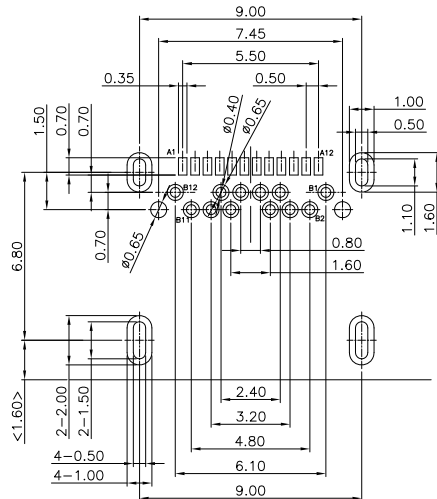
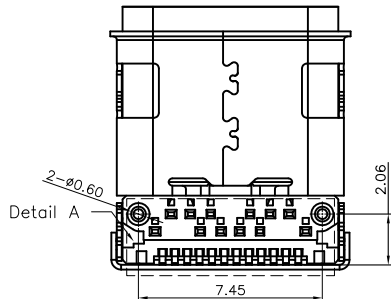
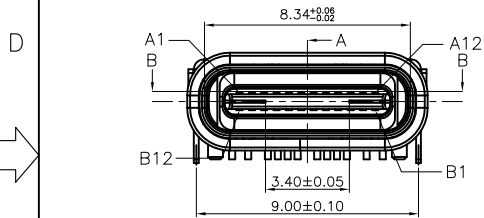
NOTE:

- MATERIAL:
 - INSULATOR: HIGH TEMPERATURE PLASTIC UL 94 V-0;
 - CONTACT: COPPER ALLOY(T=0.15mm)
 - SHELL: STAINLESS STEEL(T=0.20mm)
- ELECTRICAL CHARACTERISTICS:
 - CONTACT RESISTANCE: 40mΩ Max FOR INITIAL. 10mΩ CHANGE AFTER TEST. MEASURE AT 20mV, 100mA.
 - CONTACT CURRENT RATING: 5A FOR COLLECTIVELY POWER SUPPLY PIN(PINA1,A4,A9,A12,B1,B4,B9,B12); 1.25A FOR V_{CONN} PIN; 0.25A FOR OTHER SIGNAL PIN.
 - DIELECTRIC WITHSTANDING VOLTAGE: 100V AC R.M.S.
 - INSULATION RESISTANCE 100MΩ Min
 - OPERATING TEMPERATURE: -40°C ~ 85°C
- MECHANICAL CHARACTERISTICS:
 - MATING FORCE: 5~20 N.
 - UNMATED FORCE: 6~20N AFTER TEST
 - DURABILITY: 10,000 CYCLES
- PLATING
 - TERMINAL CONTACT: (SEE TAB) GOLD PLATING ALL OVER 50u" Min NICKEL AND 80u"Min Tin ALL OVER 50u" Min NICKEL ON SOLDER AREA
 - OUT SHELL: 50u" Min. NICKEL ALL OVER
 - INNER SHELL: DEGREASE
- PART NUMBER:

2UC24W-32X41-X3A

- 1: Tray 2: Tape reel
- 41: IPX7

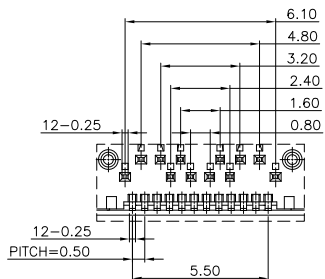
- 1: G/F 2: 5u" 3: 10u"
- 4: 15u" 5: 30u"



RECOMMEND P.C.B LAYOUT (COMPONENT SIDE)

TOLERANCE FOR PCB LAYOUT IS ± 0.05

KEEP OUT AREA



REV.	DESCRIPTION	ECN NO.	DWN.	CHK.	APVD.	DATE
G	修改内壳2.56尺寸管控	20210323016	ZLH	FCC	FCC	2021.03.23
F	修改包装	20200316017	GAORUI	Nalson	Nalson	2020.03.16
E	错雕由5码改为4码 XXXXX => YYWW		lhp.liu	lhp.liu	Nalson	2019.06.13
D	外壳取消点胶孔及点焊	201812180083	GAORUI	nalson	DC	2018.12.18

TOLERANCES UNLESS OTHERWISE SPECIFIED	
UNIT	(MM)
X.	±0.50
X.X	±0.30
X.XX	±0.20
X.XXX	±0.10
ANGEL	±2°

Singatron Enterprise Co., Ltd.

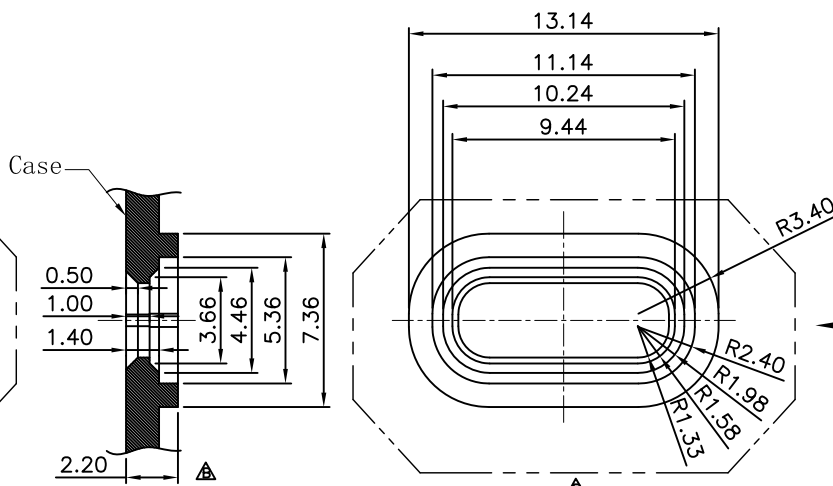
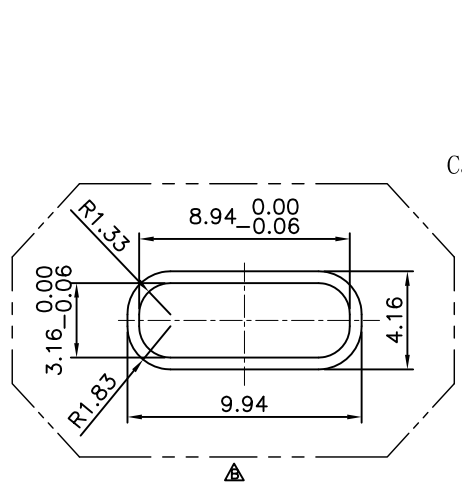
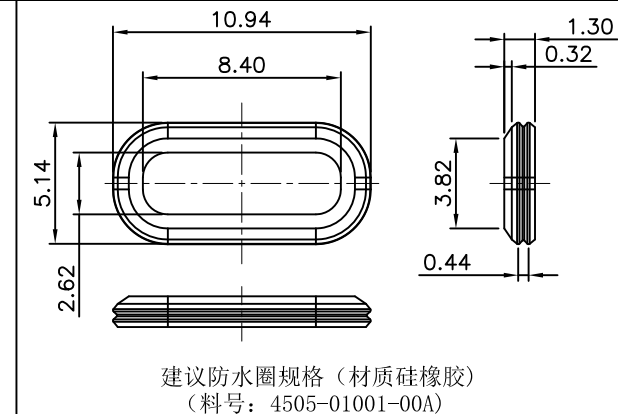
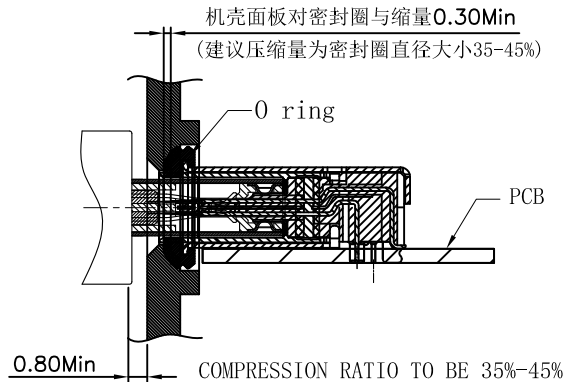
TITLE	USB 3.1 CF WATERPROOF CL1.75 H3.46mm DIP TYPE				
DWN	MARK	PART NO.	2UC24W-32X41-23A		
CHKD	2016.11.08	SCALE	1:1	UNIT:	mm
APVD	CC.Feng	SIZE:	A3	SHEET:	1 OF 3
		REV:	G		

CUSTOMER COPY

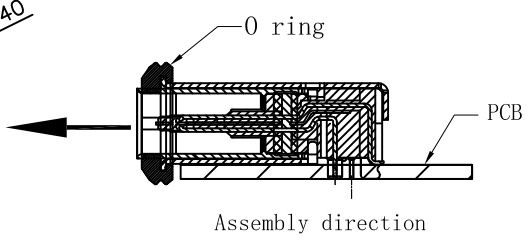


RoHS Compliant
2013/95/EC

HSF



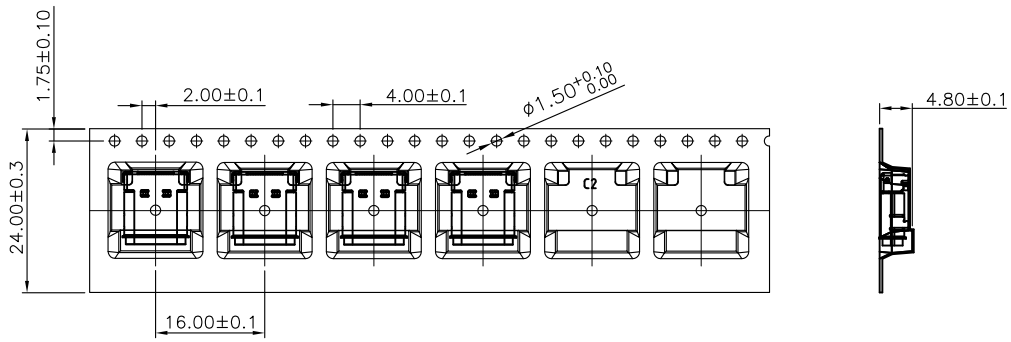
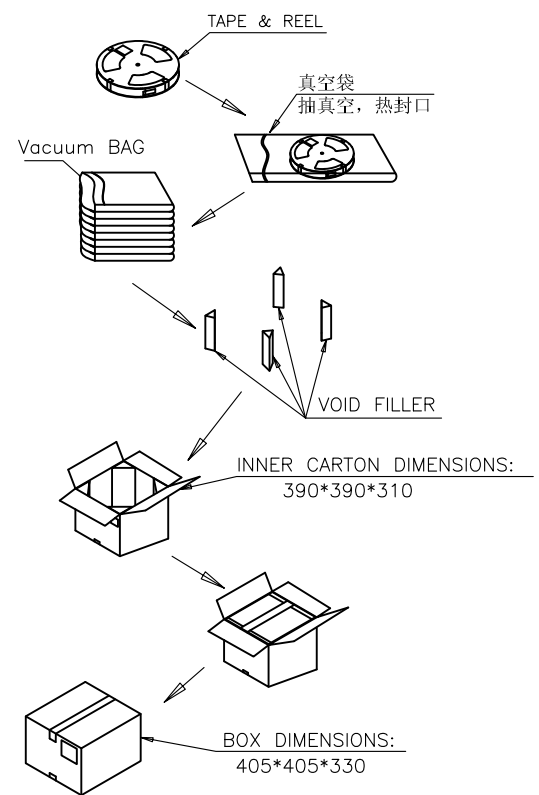
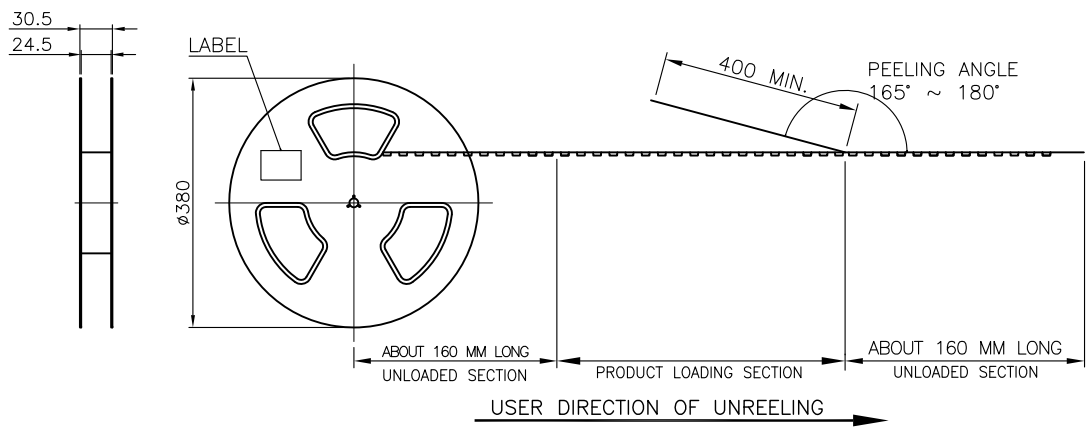
RECOMMENDED OPEN DIMENSION OF CASE
TOLERANCE: ± 0.03 mm
MATTING AREA WITH SEALING RING



△G	G	修改内壳2.56尺寸管控	20210323016	ZLH	FCC	FCC	2021.03.23
△F	F	修改包装	20200316017	GAORUI	Nalson	Nalson	2020.03.16
△E	E	槽宽由5码改为4码 XXXXX => YYVW		lhp.liu	lhp.liu	Nalson	2019.06.13
△D	D	外壳取消点胶孔及点焊	201812180083	GAORUI	nalson	DC	2018.12.18
	REV.	DESCRIPTION	ECN NO.	DWN.	CHK.	APVD.	DATE

TOLERANCES UNLESS OTHERWISE SPECIFIED	
UNIT	(MM)
X	± 0.50
X.X	± 0.30
X.XX	± 0.20
X.XXX	± 0.10
ANGEL	$\pm 2'$

Singatron Enterprise Co., Ltd.				
TITLE	USB 3.1 CF WATERPROOF CL1.75 H3.46mm DIP TYPE			
DWN	MARK	PART NO.	2UC24W-32X41-23A	
CHKD	2016.11.08	SCALE 1:1	UNIT: mm	
APVD	CC.Feng	SIZE: A3	SHEET: 2 OF 3	REV: G
CUSTOMER COPY				



NOTE:

- MATERIAL:
BOX: FIBREBOARD, CORRUGATED, DOUBLE WALL.
TAPE: POLYSTYRENES, HEAT-RESISTANT TEMPERATURE: 120°C, BLACK COLOR.
REEL: POLYSTYRENES, HEAT-RESISTANT TEMPERATURE: 70°C, BLUE COLOR.
BAG: POLYETHYLENE, HEAT-RESISTANT TEMPERATURE: 100°C.

- PEELING STRENGTH: 0.1 ~ 1.3 N (10 ~ 130 GRAMS)
- PEELING SPEED: 300 mm/min.
- EACH BAG SHALL BE INCLUDED DESICCANT.

- Storage conditions: temperature: 18°C-25°C, Humidity <60%, after removal Vacuum packaging within a week of welding plate use.

1000	10	10000 PCS	-- KG	-- KG
PCS/ REEL	REELS/ CARTON	QUANTITY	GROSS WEIGHT	NET WEIGHT

△	G	修改内壳2.56尺寸管控	20210323016	ZLH	FCC	FCC	2021.03.23
△	F	修改包装	20200316017	GAORUI	Nelson	Nelson	2020.03.16
△	E	锡膏由5码改为4码 XXXXX => YYWW		lhp.liu	lhp.liu	Nelson	2019.06.13
△	D	外壳取消点胶孔及点焊	201812180083	GAORUI	nalsion	DC	2018.12.18
	REV.	DESCRIPTION	ECN NO.	DWN.	CHK.	APVD.	DATE

TOLERANCES UNLESS OTHERWISE SPECIFIED

UNIT	(MM)
X.	±0.50
X.X	±0.30
X.XX	±0.20
X.XXX	±0.10
ANGEL	±2'

Singatron Enterprise Co., Ltd.

TITLE	USB 3.1 CF WATERPROOF CL1.75 H3.46mm DIP TYPE			
DWN	MARK	PART NO.	2UC24W-32X41-23A	
CHKD	2016.11.08	SCALE 1:1	UNIT: mm	
APVD	CC.Feng	SIZE: A3	SHEET: 3 OF 3	REV: G

CUSTOMER COPY