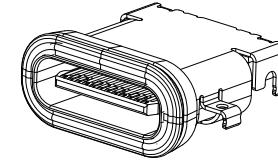


RECOMMENDED P.C.B LAYOUT (Both sides are sample)
Tolerance: ±0.05, Thickness=0.60mm



NOTES:

- MATERIAL: SEE "TABLE 1";
- FINISH: SEE "TABLE 1";
- ELECTRICAL :
 - CONTACT CURRENT RATING :
 - 5A (V BUS PIN 1.5A/PIN),
 - 5A (GND PIN 1.25A/PIN MAX), 0.25A/PIN (OTHER PIN).
 - INSULATION RESISTANCE :
 - 100 MEGAOHMS MIN. AT 100VDC.
 - DIELECTRIC WITHSTANDING VOLTAGE :
 - 100VAC MIN.
 - LOW LEVEL CONTACT RESISTANCE :
 - INITIAL 40mΩ MAX.
 - AFTER 50mΩ MAX.
- MECHANICAL CHARACTERISTICS :
 - MATING FORCE: 5~20N.
 - UNMATING FORCE: 8~20N (INITIAL), 6~20N (AFTER 10000 CYCLES);
 - DURABILITY : 10,000 MATING CYCLES.
 - OPERATING TEMPERATURE : -40°C TO +80°C

TABLE 1:

NO.	PART NAME	QTY	MATERIAL	DESCRIPTION	REMARK
⑨	Waterproof Ring	1	硅胶	BLACK	
⑧	GLUE WATER	1	EPOXY	BLACK	
⑦	Shell-2	1	Stainless steel SUS304	50u"Ni Min.	T=0.20mm
⑥	Shell-1	1	Stainless steel SUS304	50u"Ni Min.	T=0.20mm
⑤	GND PLATE	1	Stainless steel SUS301	No Plating	T=0.10mm
④	MID PLATE	1	Stainless steel SUS301		T=0.15mm
③	Terminal-B	12	铜镍硅合金 C18400	Au/50u"Ni Min.	T=0.12mm
②	Terminal-A	12	铜镍硅合金 C18400	Au/50u"Ni Min.	T=0.12mm
①	Housing	1	HIGH TEMP PA9T	Black	

DIMENSIONS
TOLERANCE
METRIC

X : ±0.5
X.X : ±0.38
X.XX : ±0.25
ANGLES
X : ±1'
X.X : ±0.5'

Singatron Enterprise Co., Ltd.

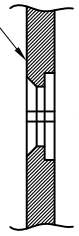
TITLE	USB TYPE CF WATERPROOF CL=0.30 沉板1.40mm DIP TYPE			
DWN		PART NO. 2UC24W-CF053-A4		
CHKD	2021/07/25	SCALE 1:1	UNIT: mm	④
APVD		SIZE: A3	SHEET: 1 OF 2	REV: 01

CUSTOMER COPY

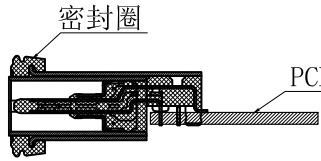


建议密封方式

机壳面板



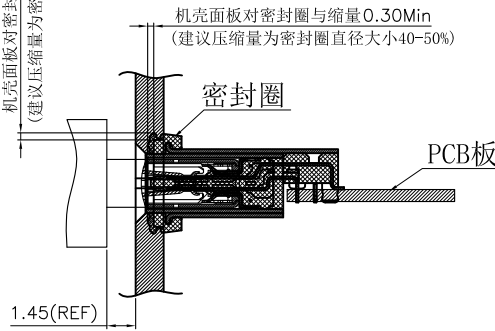
密封圈



PCB板

前后组装方式

机壳面板对密封圈与缩量0.36Min
(建议压缩量为密封圈直径大小40-50%)



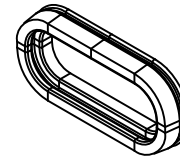
组装面板后公母头对插示意图

机壳面板对密封圈与缩量0.30Min
(建议压缩量为密封圈直径大小40-50%)

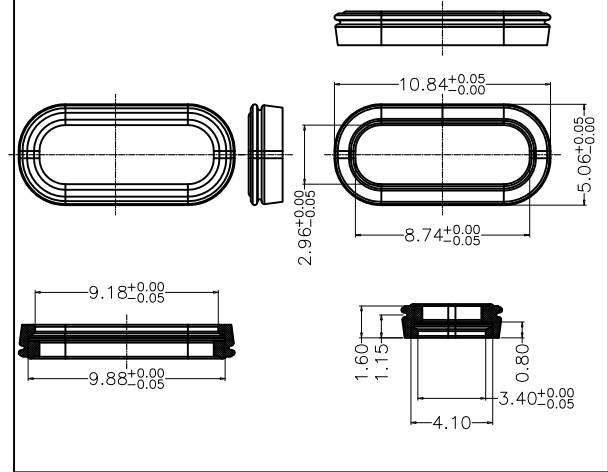
防水圈尺寸图

说明:

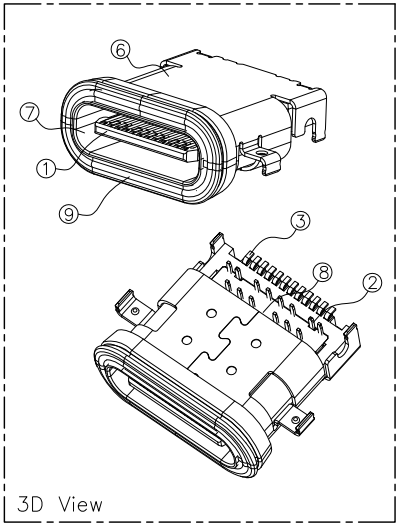
- 1.材料:硅胶;黑色;
- 2.毛边最大0.03mm;
- 3.表面没有模痕;油渍;
- 4.环保要求:符合RoHs环保要求.



3D View



CUSTOMER DRAWING



3D View

Pin	Signal Name	Mating Sequence	Pin	Signal Name	Mating Sequence
A1	GND	First	B12	GND	First
A2	SSTXp1	Second	B11	SSRXp1	Second
A3	SSTXn1	Second	B10	SSRXn1	Second
A4	V _{BUS}	First	B9	V _{BUS}	First
A5	CC1	Second	B8	SBU2	Second
A6	Dp1	Second	B7	Dn2	Second
A7	Dn1	Second	B6	Dp2	Second
A8	SBU1	Second	B5	CC2	Second
A9	V _{BUS}	First	B4	V _{BUS}	First
A10	SSRXn2	Second	B3	SSTXn2	Second
A11	SSRXp2	Second	B2	SSTXp2	Second
A12	GND	First	B1	GND	First
SHELL	GND		SHELL	GND	

DIMENSIONS
TOLERANCE
METRIC
X :±0.5
X.X :±0.38
X.XX :±0.25
ANGLES
X :±1°
X.X :±0.5°

Singatron Enterprise Co., Ltd.

TITLE	USB TYPE CF WATERPROOF CL=0.30 沉板1.40mm DIP TYPE			
DWN		PART NO. 2UC24W-CF053-A4		
CHKD	2021/07/25	SCALE 1:1	UNIT: mm	④
APVD		SIZE: A3	SHEET: 2 OF 2	REV: 01

CUSTOMER COPY