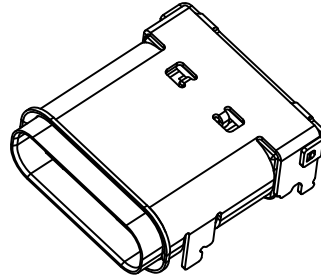
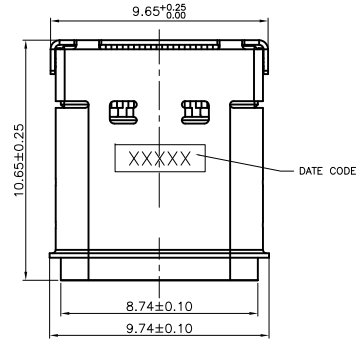


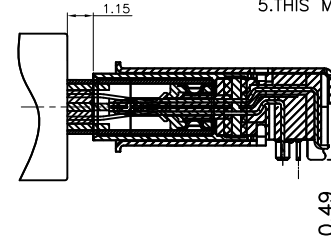
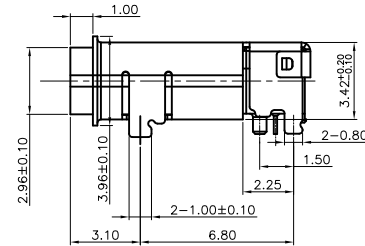
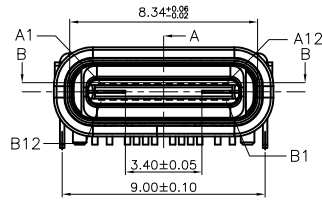
# GP Component

REV.	ECN NO.	LOCATIONS	DESCRIPTION	DATE	DESIGN
A0			Initial	2020/04/17	Ginny Liao
A1			Drawing change	2020/05/24	Ken Lin



NOTE:

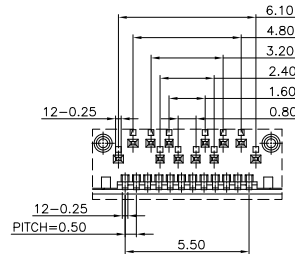
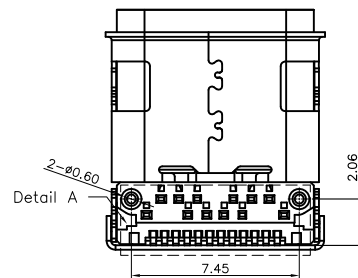
- MATERIAL:
  - INSULATOR: HIGH TEMPERATURE PLASTIC UL 94 V-0;
  - CONTACT: COPPER ALLOY(T=0.15mm)
  - SHELL: STAINLESS STEEL(T=0.20mm)
- ELECTRICAL CHARACTERISTICS:
  - CONTACT RESISTANCE: 40mΩ Max FOR INITIAL. 10mΩ CHANGE AFTER TEST. MEASURE AT 20mV, 100mA.
  - CONTACT CURRENT RATING: 5A FOR COLLECTIVELY POWER SUPPLY PIN(PINA1,A4,A9,A12,B1,B4,B9,B12); 1.25A FOR V<sub>CONN</sub> PIN; 0.25A FOR OTHER SIGNAL PIN.
  - DIELECTRIC WITHSTANDING VOLTAGE: 100V AC R.M.S.
  - INSULATION RESISTANCE 100MΩ Min
  - OPERATING TEMPERATURE: -40°C ~ 85°C
- MECHANICAL CHARACTERISTICS:
  - MATING FORCE: 5~20 N.
  - UNMATED FORCE: 6~20N AFTER TEST
  - DURABILITY: 10,000 CYCLES
- PLATING
  - TERMINAL CONTACT: (SEE TAB) GOLD PLATING ALL OVER 50u" Min NICKEL AND 80u"Min Tin ALL OVER 50u" Min NICKEL ON SOLDER AREA
  - OUT SHELL: 50u" Min. NICKEL ALL OVER
  - INNER SHELL: DEGREASE
- THIS MATERIAL COMPLIES WITH IPX7.



PART NO:

2UC24W - XX - 474  
Series number

Plating  
01:Gold Flash  
03:3u"  
15:15u"  
30:30u"  
50:50u"

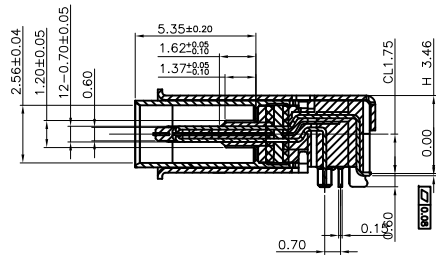


TOLERANCE:	
X	±0.25
X.X	±0.15
X.XX	±0.05
X.XXX	±0.01
ANGLE:	±3°

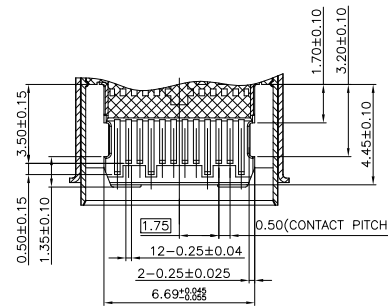
Singatron Enterprise Co., Ltd.				
TITLE	USB 3.1 CF WATERPROOF CL1.75 H3.46mm DIP TYPE			
DWN	Ken Lin	PART NO.	2UC24W-XX-474	
CHKD	2020/05/24	SCALE	1:1	UNIT: mm
APVD	Richard Hsieh	SIZE:	A3	SHEET: 1 OF 3 REV: A1
CUSTOMER COPY				

# GP Component

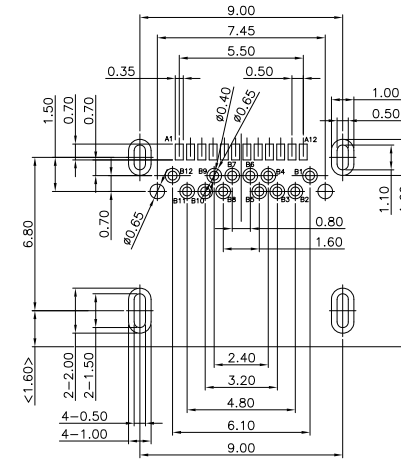
REV.	ECN NO.	LOCATIONS	DESCRIPTION	DATE	DESIGN
A0			Initial	2020/04/17	Ginny Liao
A1			Drawing change	2020/05/24	Ken Lin



SECTION A-A



SECTION B-B



RECOMMEND P.C.B LAYOUT (COMPONENT SIDE)  
 TOLERANCE FOR PCB LAYOUT IS ± 0.05  
 KEEP OUT AREA

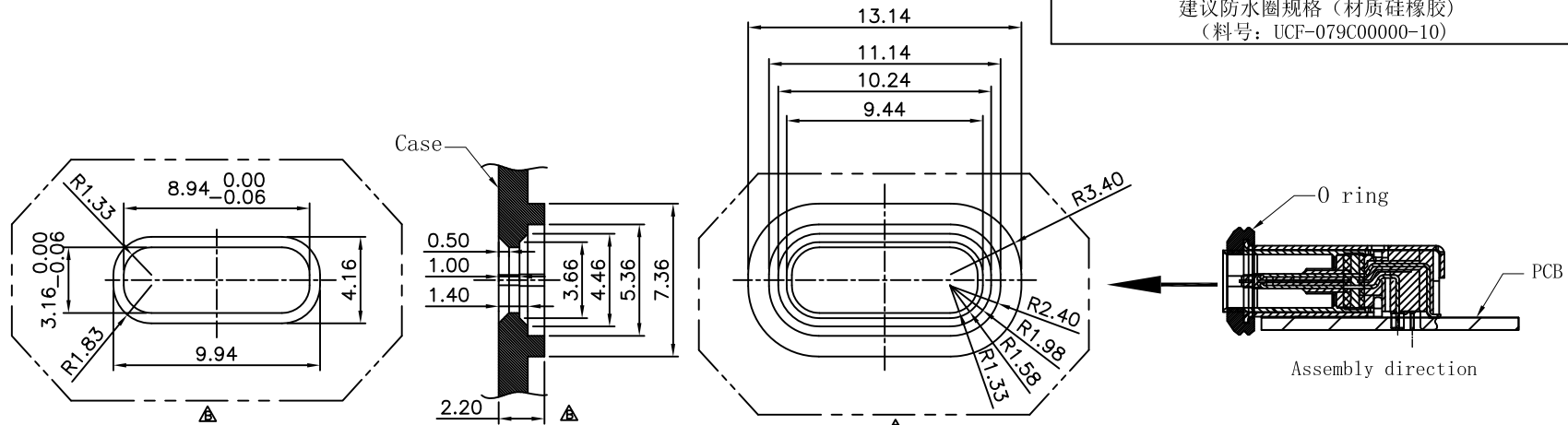
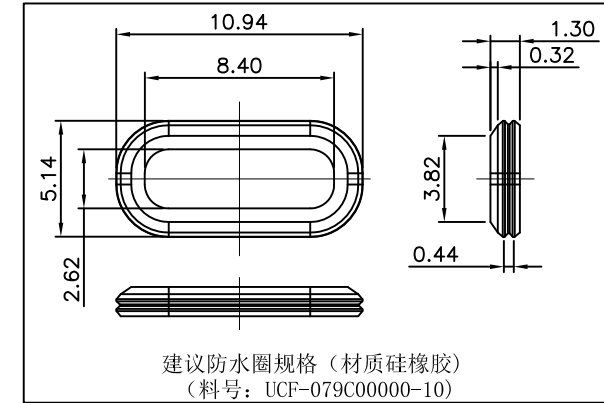
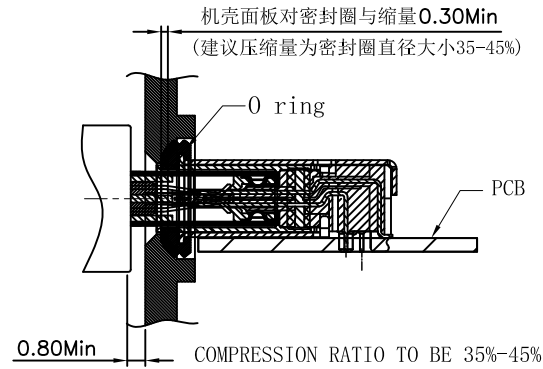
Pin	Signal Name	Mating Sequence	Pin	Signal Name	Mating Sequence
A1	GND	First	B12	GND	First
A2	SSTXp1	Second	B11	SSRXp1	Second
A3	SSTXn1	Second	B10	SSRXn1	Second
A4	V <sub>BUS</sub>	First	B9	V <sub>BUS</sub>	First
A5	CC1	Second	B8	SBU2	Second
A6	Dp1	Second	B7	Dn2	Second
A7	Dn1	Second	B6	Dp2	Second
A8	SBU1	Second	B5	CC2	Second
A9	V <sub>BUS</sub>	First	B4	V <sub>BUS</sub>	First
A10	SSRXn2	Second	B3	SSTXn2	Second
A11	SSRXp2	Second	B2	SSTXp2	Second
A12	GND	First	B1	GND	First
SHELL	GND		SHELL	GND	

TOLERANCE:	
X.X	±0.25
X.XX	±0.15
X.XXX	±0.05
ANGLE:	±3°

Singatron Enterprise Co., Ltd.				
TITLE	USB 3.1 CF WATERPROOF CL1.75 H3.46mm DIP TYPE			
DWN	Ken Lin	PART NO. 2UC24W-XX-474		
CHKD	2020/05/24	SCALE 1:1	UNIT: mm	④
APVD	Richard Hsieh	SIZE: A3	SHEET: 2 OF 3	REV: A1
CUSTOMER COPY				

GP Component

REV.	ECN NO.	LOCATIONS	DESCRIPTION	DATE	DESIGN
A0			Initial	2020/04/17	Ginny Liao
A1			Drawing change	2020/05/24	Ken Lin



RECOMMENDED OPEN DIMENSION OF CASE  
TOLERANCE:  $\pm 0.03\text{mm}$   
MATTING AREA WITH SEALING RING

TOLERANCE:	
X.X	$\pm 0.25$
X.XX	$\pm 0.15$
X.XXX	$\pm 0.05$
ANGLE:	$\pm 3^\circ$

Singatron Enterprise Co., Ltd.				
TITLE	USB 3.1 CF WATERPROOF CL1.75 H3.46mm DIP TYPE			
DWN	Ken Lin	PART NO.	2UC24W-XX-474	
CHKD	2020/05/24	SCALE	1:1	UNIT: mm
APVD	Richard Hsieh	SIZE	A3	SHEET: 3 OF 3
		REV:	A1	
CUSTOMER COPY				