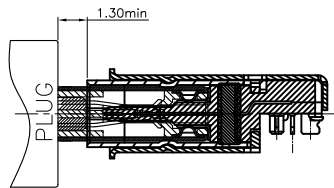
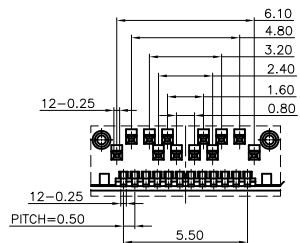
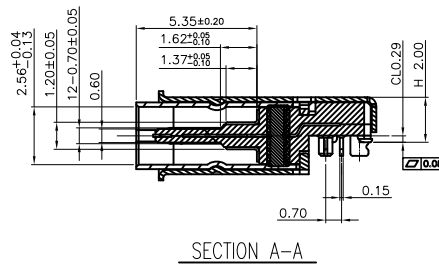
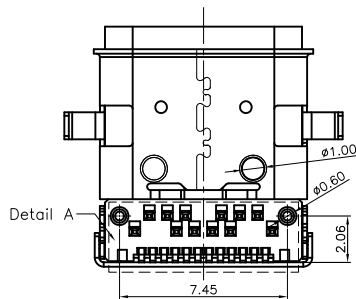
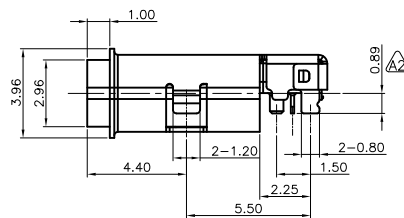
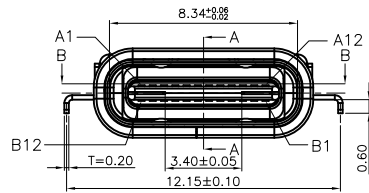
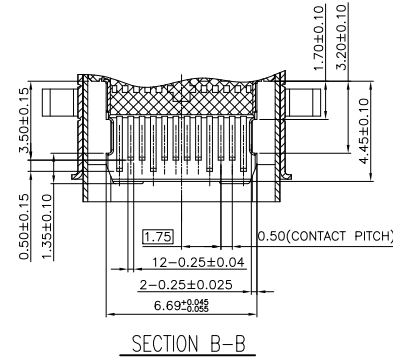
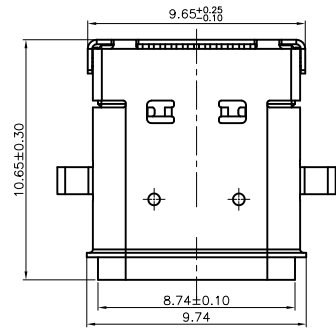


GP Component

REV.	ECN NO.	LOCATIONS	DESCRIPTION	DATE	DESIGN
A0			Initial	2020/04/17	Ginny Liao
A1			Drawing change	2020/05/24	Ken Lin
A2			Drawing change	2021/11/01	Ken Lin



PLUG AND RECEPTACLE MATING VIEW

NOTE:

1. MATERIAL:
 - 1.1 INSULATOR: HIGH TEMPERATURE PLASTIC UL 94 V-0; BLACK
 - 1.2 CONTACT: COPPER ALLOY (T=0.15mm)
 - 1.3 SHELL: STAINLESS STEEL (T=0.20mm)
2. ELECTRICAL CHARACTERISTICS:
 - 2.1 CONTACT RESISTANCE: 40mΩ Max FOR INITIAL.
10mΩ CHANGE AFTER TEST.
MEASURE AT 20mV, 100mA.
 - 2.2 CONTACT CURRENT RATING: 5A FOR VBUS PIN;
1.25A FOR VCONN PIN.
 - 2.3 DIELECTRIC WITHSTANDING VOLTAGE: 100V AC R.M.S.
 - 2.4 INSULATION RESISTANCE 100MΩ Min
 - 2.5 OPERATING TEMPERATURE: -40°C ~ 85°C
3. MECHANICAL CHARACTERISTICS:
 - 3.1 MATING FORCE: 5~20 N.
 - 3.2 UNMATED FORCE: 8~20N AFTER TEST
 - 3.3 DURABILITY: 10,000 CYCLES
4. PLATING
 - 4.1 TERMINAL CONTACT:
GOLD PLATING ALL OVER 50u" Min NICKEL AND 80u"
Min Tin ALL OVER 50u" Min NICKEL ON SOLDER AREA
 - 4.2 OUT SHELL: 50u" Min. NICKEL ALL OVER
 - 4.3 INNER SHELL: DEGREASE
5. WATERPROOF RATE: IPX8 (60MIN/1M)

PART NO:

2UC24W - XX - 483

Series number

Plating
01: Gold Flash
03: 3u"
15: 15u"
30: 30u"

Singatron Enterprise Co., Ltd.

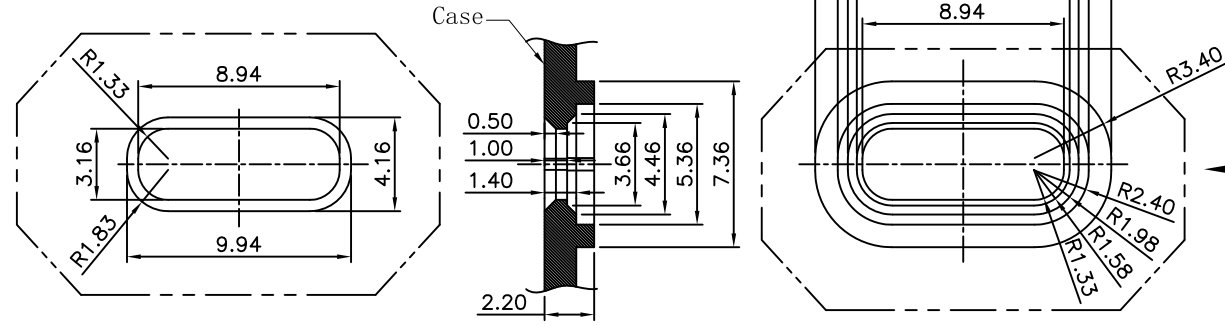
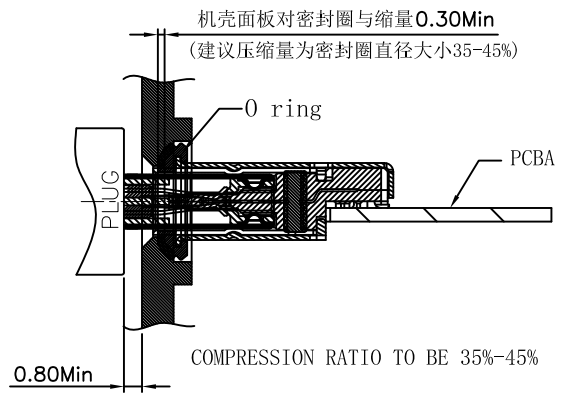
TITLE	USB3.2 Gen2x2 C/F WATERPROOF CLO.29 H2.00mm DIP TYPE			
DWN	Ken Lin	PART NO.	2UC24W-XX-483	
CHKD	2021/11/01	SCALE	1:1	UNIT: mm
APVD	Richard Hsieh	SIZE	A3	SHEET: 1 OF 2
		REV:	A2	

CUSTOMER COPY

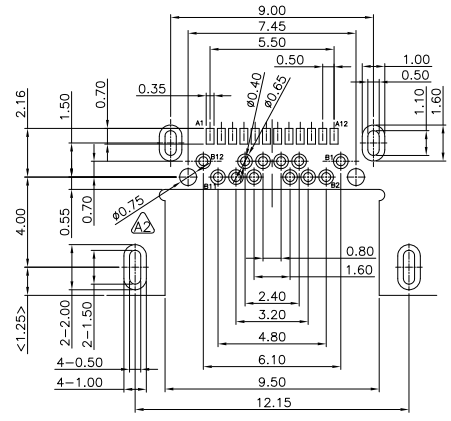
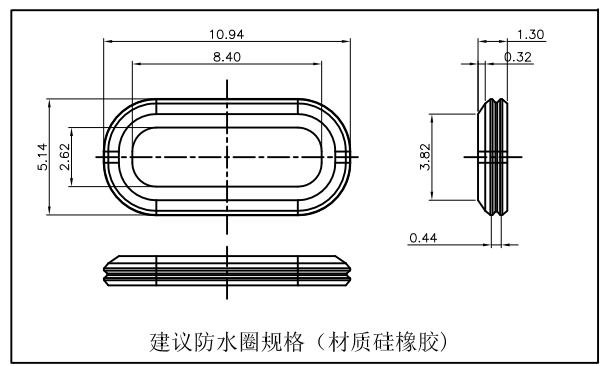
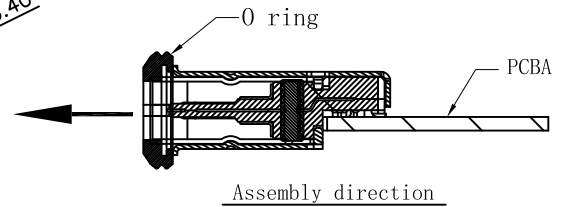
TOLERANCE:	
X.X	±0.50
X.XX	±0.30
X.XXX	±0.20
X.XXXX	±0.10
ANGLE:	±2°

GP Component

REV.	ECN NO.	LOCATIONS	DESCRIPTION	DATE	DESIGN
A0			Initial	2020/04/17	Ginny Liao
A1			Drawing change	2020/05/24	Ken Lin
A2			Drawing change	2021/11/01	Ken Lin



RECOMMENDED OPEN DIMENSION OF CASE
 TOLERANCE: $\pm 0.03\text{mm}$
 MATTING AREA WITH SEALING RING



RECOMMEND P.C.B LAYOUT (COMPONENT SIDE)
 TOLERANCE FOR PCB LAYOUT IS ± 0.05

Pin	Signal Name	Mating Sequence	Pin	Signal Name	Mating Sequence
A1	GND	First	B12	GND	First
A2	SSTxp1	Second	B11	SSRXp1	Second
A3	SSTxn1	Second	B10	SSRXn1	Second
A4	V _{BS}	First	B9	V _{BS}	First
A5	CC1	Second	B8	SBU2	Second
A6	Dp1	Second	B7	Dn2	Second
A7	Dn1	Second	B6	Dp2	Second
A8	SBU1	Second	B5	CC2	Second
A9	V _{BS}	First	B4	V _{BS}	First
A10	SSRXn2	Second	B3	SSTxn2	Second
A11	SSRXp2	Second	B2	SSTxp2	Second
A12	GND	First	B1	GND	First
SHELL	GND		SHELL	GND	

TOLERANCE:
 X.X ±0.50
 X.XX ±0.30
 X.XXX ±0.20
 X.XXXX ±0.10
 ANGLE: $\pm 2^\circ$

Singatron Enterprise Co., Ltd.

TITLE	USB3.2 Gen2x2 C/F WATERPROOF CLO.29 H2.00mm DIP TYPE			
DWN	Ken Lin	PART NO.	2UC24W-XX-483	
CHKD	2021/11/01	SCALE	1:1	UNIT: mm
APVD	Richard Hsieh	SIZE	A3	SHEET: 2 OF 2
		REV:	A2	
CUSTOMER COPY				