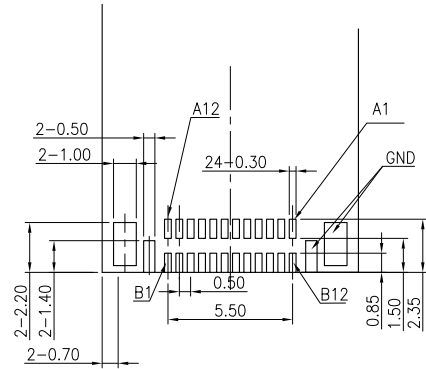
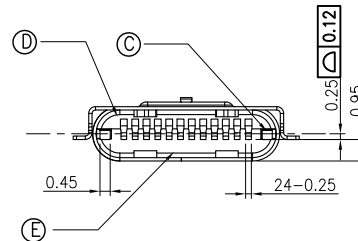
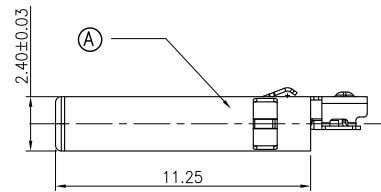
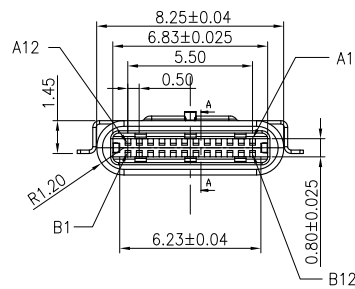
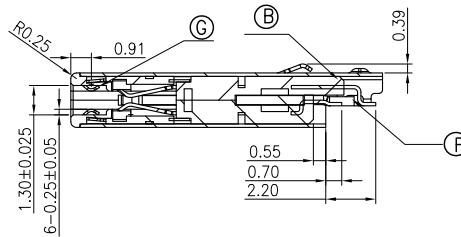
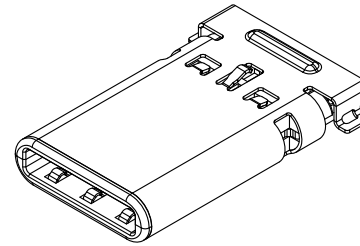
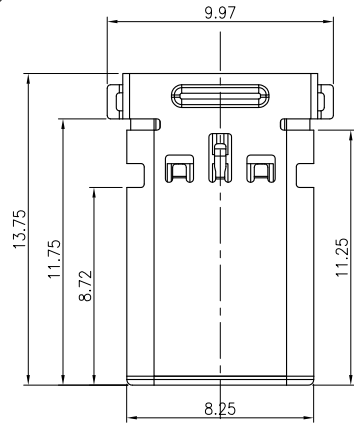


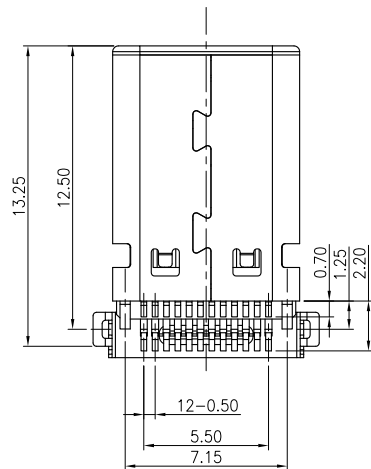


REV	ECN No.	DATE	REMARK
A0	NEW	2013.01.10	新版发行
A1	ECN1701005	2017.01.17	变更新料号

- NOTES:  
SPECIFICATION:
- CURRENT RATING: 3.0A MAX
  - Withstanding Voltage: 100V AC
  - TEMPERATURE RANGE: -30 °C ~ 85 °C
  - CONTACT RESISTANCE: 40 MILLIONHM MAX
  - INSULATION RESISTANCE: 100 MEGOHMS
  - INSERTION FORCE : 5N~20N
  - UNMATING FORCE: 8N~20N (1~1000次)  
6N~20N (10000次之后)
  - DURABILITY: 10,000 CYCLES



RECOMMENDED P.C.B. LAYOUT  
TOLERANCE UNSPECIFIED ±0.05mm



Pin Number	host	device	Pin Number	host	device
PIN A1	GND	GND	PIN B12	GND	GND
PIN A2	SSTXp1	SSTXp1	PIN B11	SSRXp1	SSRXp1
PIN A3	SSTXn1	SSTXn1	PIN B10	SSRXn1	SSRXn1
PIN A4	VBUS	VBUS	PIN B9	VBUS	VBUS
PIN A5	CC1	CC1	PIN B8	SBU2	SBU2
PIN A6	Dp1	Dp1	PIN B7	Dn2	Dn2
PIN A7	Dn1	Dn1	PIN B6	Dp2	Dp2
PIN A8	SBU1	SBU1	PIN B5	CC2	CC2
PIN A9	VBUS	VBUS	PIN B4	VBUS	VBUS
PIN A10	SSRXn2	SSRXn2	PIN B3	SSTXn2	SSTXn2
PIN A11	SSRXp2	SSRXp2	PIN B2	SSTXp2	SSTXp2
PIN A12	GND	GND	PIN B1	GND	GND

TABLE:

G	EMI	2	SUS304 T=0.10		
F	CONTACT	12	C5210 T=0.10	[G/F] Au PLATED /80u"Sn/50u" Ni Plated	
E	TOP COVER	1	LCP+30%GF,UL 94V-0	BLACK	
D	BOTTOM COVER	1	LCP+30%GF,UL 94V-0	BLACK	
C	GND PIN	1	SUS301 T=0.20	30u" Nickel Plated	
B	CONTACT	12	C5210 T=0.15	[G/F] Au PLATED /80u"Sn/50u" Ni Plated	
A	SHELL	1	SUS301 T=0.20	30u" Nickel Plated	
PART NUMBER	NO	DESCRIPTION	QTY	MATERIAL	PLATING & COLOR

QUALITY SYMBOL	GENERAL TOLERANCES (UNLESS SPECIFIED)
0	± ---
0.13	± 0.13
0.25	± 0.25
0.30	± 0.30
ANGULAR	± ---

Singatron Enterprise Co., Ltd.

TITLE	USB CM 90度SMT FOR PCB(有凸包有弹片 两侧开口)		
DWN	Jay 2017.01.17	PART NO.	2UCM007SLB01R-C-14
CHKD	Allen 2017.01.17	SCALE 1:1	UNIT: mm
APVD	Jacke 2017.01.17	SIZE: A3	SHEET: 1 OF 1 REV: A1

CUSTOMER COPY