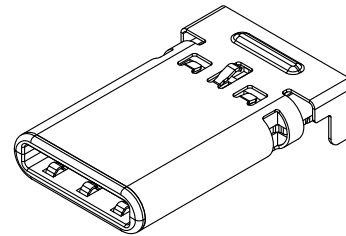
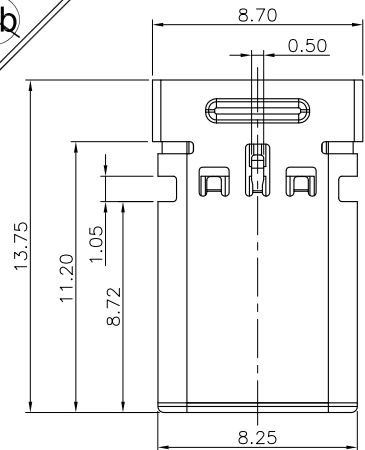




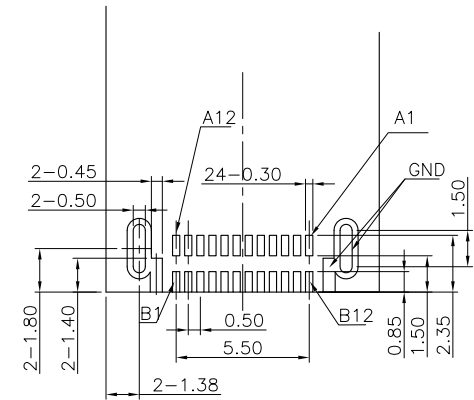
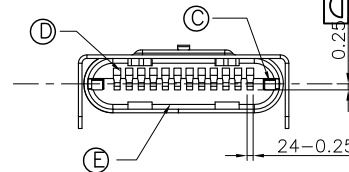
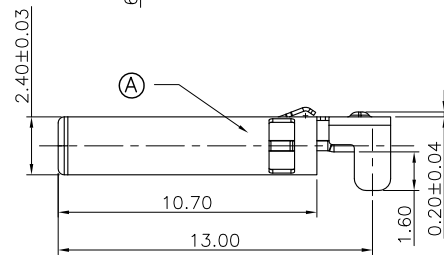
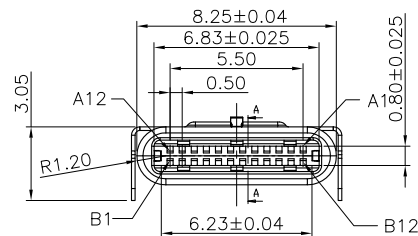
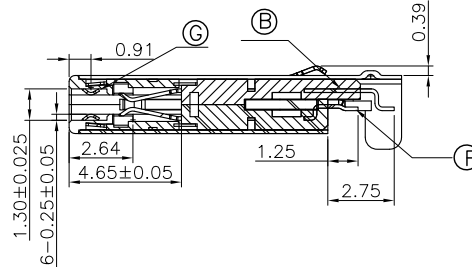
| REV | ECN No.    | DATE       | REMARK |
|-----|------------|------------|--------|
| A0  | NEW        | 2013.01.10 | 新版发行   |
| A1  | ECN1701005 | 2017.01.17 | 变更新料号  |



NOTES:

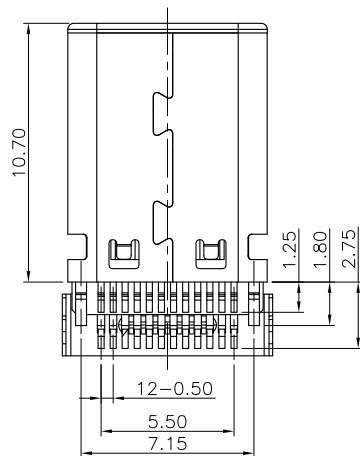
SPECIFICATION:

- CURRENT RATING: 3.0A MAX
- Withstanding Voltage: 100V AC
- TEMPERATURE RANGE: -30 °C ~ 85 °C
- CONTACT RESISTANCE: 40 MILLIONHM MAX
- INSULATION RESISTANCE: 100 MEGOHMS
- INSERTION FORCE : 5N~20N
- UNMATING FORCE: 8N~20N (1~1000次)  
6N~20N (10000次之后)
- DURABILITY: 10,000 CYCLES



Recommended P.C.B Layout

Tolerance ±0.05



| Pin Number | host   | device | Pin Number | host   | device |
|------------|--------|--------|------------|--------|--------|
| PIN A1     | GND    | GND    | PIN B12    | GND    | GND    |
| PIN A2     | SSTXp1 | SSTXp1 | PIN B11    | SSRXp1 | SSRXp1 |
| PIN A3     | SSTXn1 | SSTXn1 | PIN B10    | SSRXn1 | SSRXn1 |
| PIN A4     | VBUS   | VBUS   | PIN B9     | VBUS   | VBUS   |
| PIN A5     | CC1    | CC1    | PIN B8     | SBU2   | SBU2   |
| PIN A6     | Dp1    | Dp1    | PIN B7     | Dn2    | Dn2    |
| PIN A7     | Dn1    | Dn1    | PIN B6     | Dp2    | Dp2    |
| PIN A8     | SBU1   | SBU1   | PIN B5     | CC2    | CC2    |
| PIN A9     | VBUS   | VBUS   | PIN B4     | VBUS   | VBUS   |
| PIN A10    | SSRXn2 | SSRXn2 | PIN B3     | SSTXn2 | SSTXn2 |
| PIN A11    | SSRXp2 | SSRXp2 | PIN B2     | SSTXp2 | SSTXp2 |
| PIN A12    | GND    | GND    | PIN B1     | GND    | GND    |

TABLE:

| PART NUMBR         | NO | DESCRIPTION  | QTY | MATERIAL           | PLATING & COLOR                        | 数量  | PACKAGING |
|--------------------|----|--------------|-----|--------------------|--|-----|-----------|
| 2UCM008SLB01R-C-14 | G  | EMI          | 2   | SUS304 T=0.10      | ---                                    | 48H | Reel      |
|                    | F  | CONTACT      | 12  | C5210 T=0.10       | [G/F] Au PLATED /80u"Sn/50u" Ni Plated |     |           |
|                    | E  | TOP COVER    | 1   | LCP+30%GF,UL 94V-0 | BLACK                                  |     |           |
|                    | D  | BOTTOM COVER | 1   | LCP+30%GF,UL 94V-0 | BLACK                                  |     |           |
|                    | C  | GND PIN      | 1   | SUS301 T=0.20      | 30u" Nickel Plated                     |     |           |
|                    | B  | CONTACT      | 12  | C5210 T=0.15       | [G/F] Au PLATED /80u"Sn/50u" Ni Plated |     |           |
|                    | A  | SHELL        | 1   | SUS301 T=0.20      | 30u" Nickel Plated                     |     |           |

| QUALITY SYMBOL | GENERAL TOLERANCES (UNLESS SPECIFIED) |        |
|----------------|---------------------------------------|--------|
|                | X.XXXXX                               | ± ---  |
|                | X.XXX                                 | ± 0.13 |
|                | X.XX                                  | ± 0.25 |
|                | X.X                                   | ± 0.30 |
| ANGULAR        | ± ---                                 |        |

Singatron Enterprise Co., Ltd.

| TITLE | USB CM 90 端子SMT FOR PCB (有凸包有弹片 两侧开口) 铁壳DIP |           |                       |
|-------|---|-----------|-----------------------|
| DWN   | Joy 2017.01.17                              | PART NO.  | 2UCM008SLB01R-C-14    |
| CHKD  | Allen 2017.01.17                            | SCALE 1:1 | UNIT: mm              |
| APVD  | Jacke 2017.01.17                            | SIZE: A3  | SHEET: 1 OF 1 REV: A1 |

CUSTOMER COPY