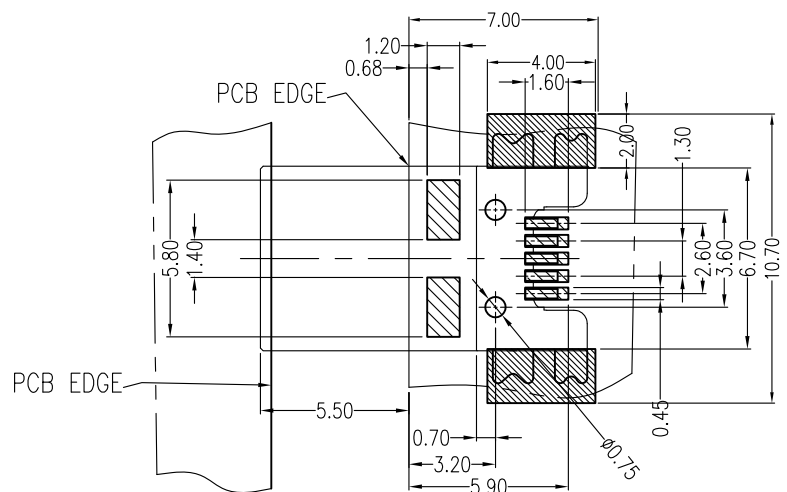
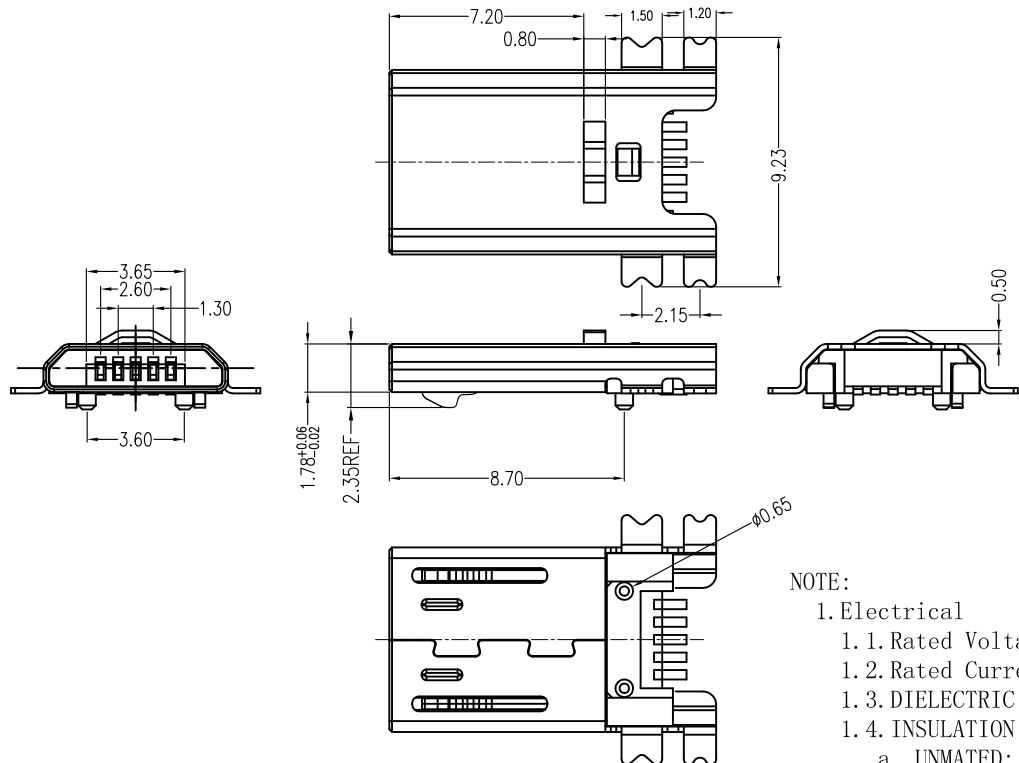


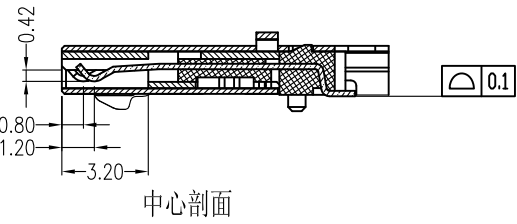
REV.	MODIFICATION	ECN No.	NAME	DATE
A/0	新案发行		Justin	2016/4/29
A/1				
A/2				



- NOTE:
- Electrical
 - Rated Voltage: 30V AC maximum
 - Rated Current: 1A min.
 - DIELECTRIC WITHSTANDING VOLTAGE: 100VAC, 1MIN
 - INSULATION RESISTANCE:
 - UNMATED: 100M OHMS MIN AT 500 VDC
 - MATED: 10M OHMS MIN AT 150 VDC
 - Contact Resistance: 30mΩ Max.
 - Mechanical
 - Mating Force Max: 3.70kgf max.
 - Removal Force Min: 1.0kgf min.
 - Durability: 0.81~2.05kgf after 10,000 cycles at 100±50 cycles per hour.
 - Ambient Temperature: -30° C To +80° C

RECOMMENDED PCB Layout
TOL: ±0.05mm

DC-005M40



BOM:						REV.: A/0	SCALE: FIT
5	DC-005M80-05	卡勾	SUS301, T=0.40±0.02mm		镀亮镍	2	UNIT: mm SHEET:
4	DC-005M40-04	外壳	SUS304, T=0.20mm	JHM12002	镀可焊镍	1	GENERAL TOLERANCES
3	DC-005M80-03	前盖	LCP UL 94V-0	HSP15002	黑色	1	X. ±0.30 X° ±2°
2	DC-005M40-02	胶心	LCP UL 94V-0	HSP12003	黑色	1	.X ±0.20 .X° ±0.5°
1	DC-005M40-01	PIN	C5191, T=0.20mm	JHM12001	镀前金后锡	5	.XX±0.15 .XX°±0.3°
頁次	料号	名稱	材質	模号	表面	數量	THIRD ANGLE

Singatron Enterprise Co., Ltd.			
TITLE	Micro USB 5P 公头 四脚贴板-带卡钩		
DWN	PART NO. 2UP-DC005M40		
CHKD	SCALE 1:1	UNIT: mm	REV: A/0
APVD	SIZE: A3	SHEET: 1 OF 1	REV: A/0
CUSTOMER COPY			