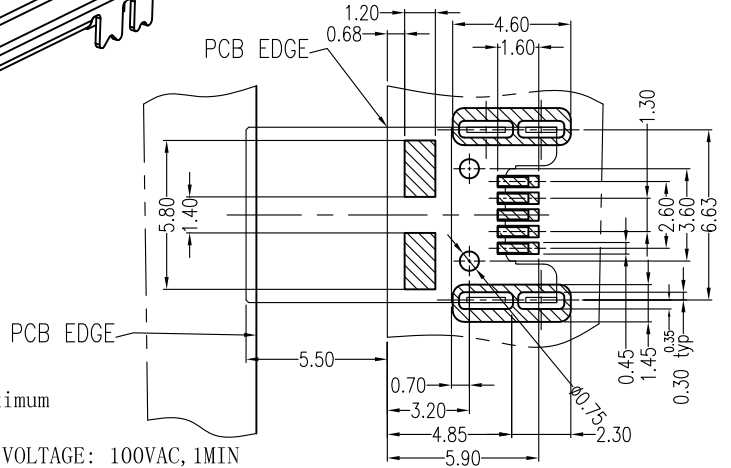
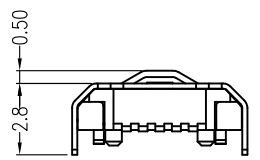
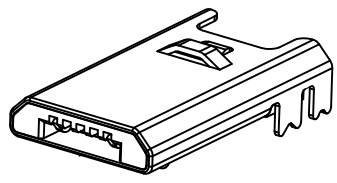


REV.	MODIFICATION	ECN No.	NAME	DATE
A/0	新案发行		Justin	2015/8/10
A/1				
A/2				



NOTE:

- Electrical
 - Rated Voltage: 30V AC maximum
 - Rated Current: 1A min.
 - DIELECTRIC WITHSTANDING VOLTAGE: 100VAC, 1MIN
 - INSULATION RESISTANCE:
 - UNMATED: 100M OHMS MIN AT 500 VDC
 - MATED: 10M OHMS MIN AT 150 VDC
 - Contact Resistance: 30mΩ Max.
- Mechanical
 - Mating Force Max: 3.06kgf max.
 - Removal Force Min: 0.51kgf min.
 - Durability: 0.41~2.05Kgf after 5,000 cycles at 100±50 cycles per hour.
- Ambient Temperature: -30° C To +80° C

BOM:

項次	料号	名稱	材質	模号	表面	數量
5	DC-005M80-05	卡勾	SUS301, T=0.40±0.02mm		镀亮镍	2
4	DC-005M78-04	外壳	SUS304, T=0.20mm	JHM12002	镀可焊镍	1
3	DC-005M80-03	前盖	LCP UL 94V-0	HSP15002	黑色	1
2	DC-005M40-02	胶心	LCP UL 94V-0	HSP12003	黑色	1
1	DC-005M40-01	PIN	C5191, T=0.20mm	JHM12001	镀前金后锡	5

REV.: A/0	SCALE: FIT
UNIT: mm	SHEET:
GENERAL TOLERANCES	
X. ±0.30	X°. ±2°
.X ±0.20	.X° ±0.5°
.XX ±0.15	.XX° ±0.3°
THIRD ANGLE	

Singatron Enterprise Co, Ltd.			
TITLE	Micro USB 5P 公头 四脚插板-带卡钩		
DWN	PART NO. 2UP-DC005M78		
CHKD	SCALE 1:1	UNIT: mm	
APVD	SIZE: A3	SHEET: 1 OF 1	REV: A/0
CUSTOMER COPY			