

1 2 3 4 5 6 7 8

F

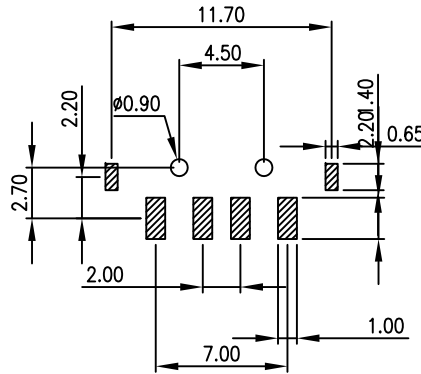
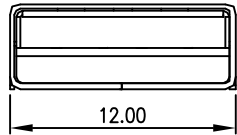
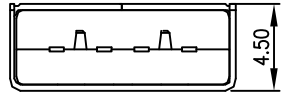
E

D

C

B

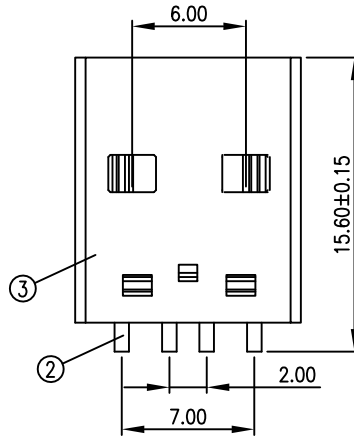
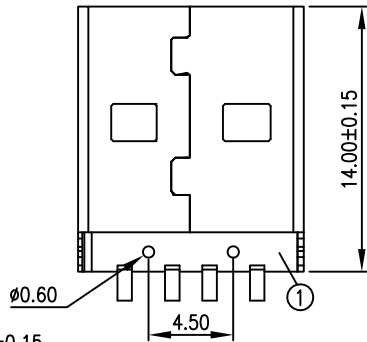
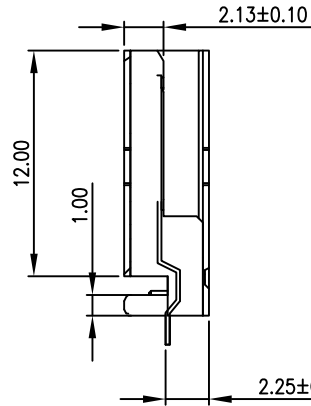
A



RECOMMENDED P.C.B. LAYOUT
TOLERANCE UNSPECIFIED ±0.05mm

NOTE:

特性: Specifications
 电器 Electrical:
 接触阻抗: Contact Resistance 30milliohms MAX
 耐电压: Dielectric Withstanding Voltage 500V AC AT sea Level
 绝缘阻抗: Insulation Resistance: 1000MEGA ohms MIN
 材料: Material:
 1. 塑胶: Housing: LCP, Natural
 2. 端子: Contact: Copper Alloy 铜合金
 3. 铁壳: Shell: SPCC-SD 铁材
 电镀: Finish:
 端子: Contact: Plated Gold 1u" in Contact Area; Tin 80u"Min On Solder Talls
 接触点镀金, 脚镀锡
 铁壳: Shell: Nicket Plating All Over 镀镍



Singatron Enterprise Co., Ltd.

GENERAL TOLERANCES (UNLESS SPECIFIED)	
x.xxxx	± ---
x.xxx	± 0.15
x.xx	± 0.20
x.x	± 0.30
ANGULAR	± --°

TITLE	USB AM短体沉板L=14.0			
DWN	LIMING	PART NO.	2UP-JH2LN01-06	
CHKD	2018.06.12	SCALE	1:1	UNIT: mm
APVD	Alan	SIZE:	A3	SHEET: 1 OF 1 REV: A

CUSTOMER COPY

1 2 3 4 5 6 7 8