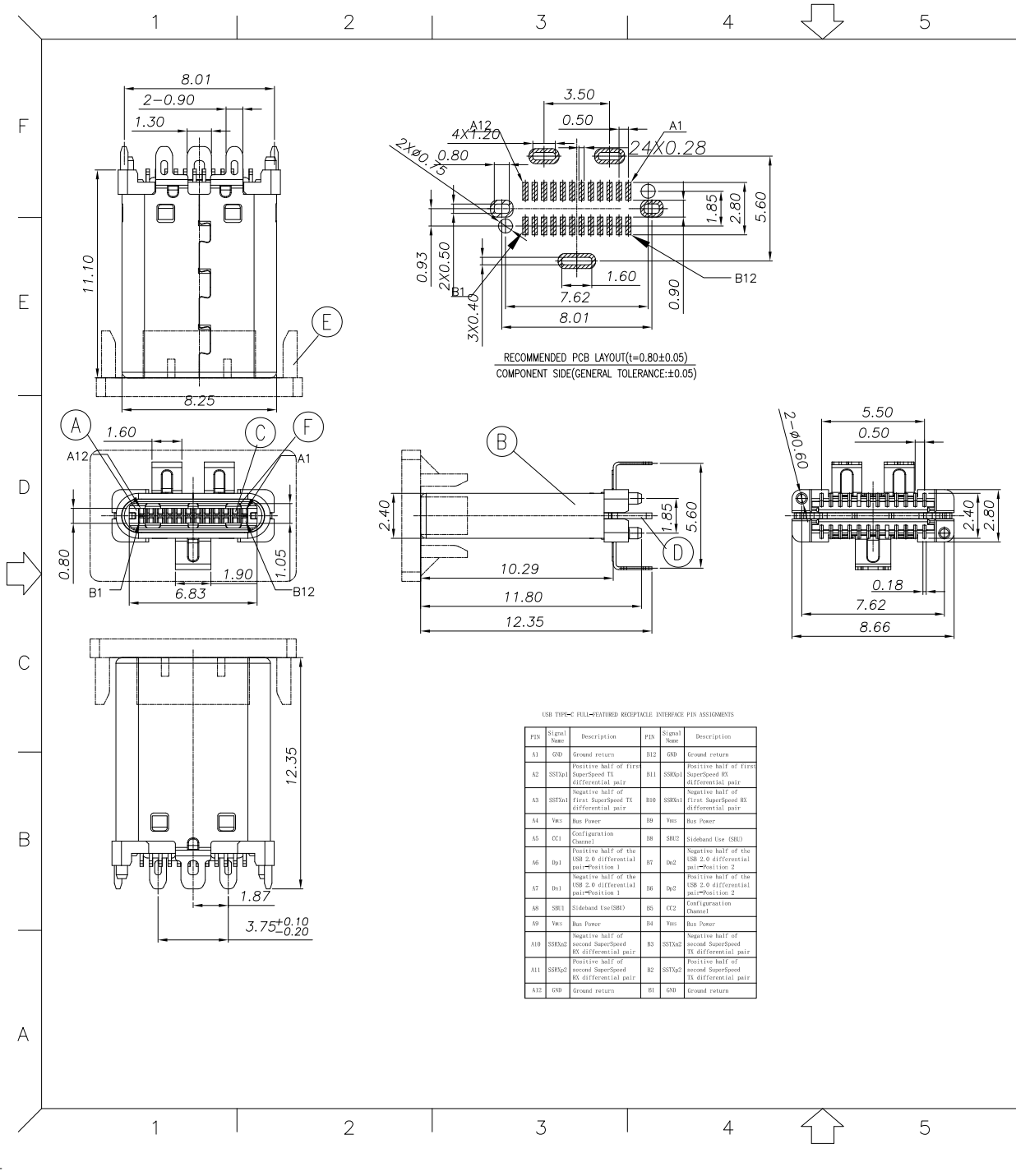


REV.	ECN NO OR DESCRIPTION	REVISED	DATE
A	PDR RELEASE	EVEN	2020.07.07
B	ECN NO. L202012-002	EVEN	2021.01.22

- SPECIFICATIONS:
- ELECTRICAL CHARACTERISTICS:
 - RATING: 5A VBUS, 1.25A FOR GND PIN, 0.25A FOR OTHER.
 - CONTACT RESISTANCE : 40mΩ MAX.
 - INSULATION RESISTANCE: 100MΩ MIN. BY 100V DC.
 - DIELECTRIC WITHSTAND VOLTAGE, AC 100V FOR 1 MINUTE.
 - MECHANICAL CHARACTERISTICS:
 - INSERTION FORCE: 0.5~2.0kgf.
 - REMOVAL FORCE: 0.8~2.0kgf, AFTER DURABILITY TEST 0.6~2.0kgf
 - LIFE TEST: 10000 CYCLES.
 - OPERATING TEMPERATURE: -25°C~+85°C.
 - TO CONFORM TO THE SINGATRON HAZARDOUS SUBSTANCE FREE SPEC.
 - HALOGEN FREE PRODUCT IDENTIFICATION LABEL ON PACKAGING:
 - PACKAGE: SEE "2UP1532-C00111F" PACKAGE.
 - OTHER GENERAL SPEC. TO REFER "2UP1532-C00111F SPEC".



PART NO.
2UP1532-C00111F

- SUFFIX: HALOGEN FREE
- PACKAGE: 1: TAPE & REEL
- HOUSING COLOR: 1: BLACK
- CONTACT PLATING: 1: 3u" GOLD ON CONTACT AREA, 80u" MIN. TIN(Sn) PLATING ON SOLDER AREA, 50u" MIN. NI UNDERPLATING OVERALL.

USB TYPE-C FULL-SPEED RECEPTACLE INTERFERENCE PIN ASSIGNMENTS

PIN	Signal Name	Description	PIN	Signal Name	Description
A1	GND	Ground return	B12	GND	Ground return
A2	SSTx01	Positive half of first SuperSpeed TX differential pair	B11	SSRx01	Negative half of first SuperSpeed RX differential pair
A3	SSTx01	Negative half of first SuperSpeed TX differential pair	B10	SSRx01	Positive half of first SuperSpeed RX differential pair
A4	Ves	Bus Power	B9	Ves	Bus Power
A5	CC1	Configuration Channel	B8	SRB2	Sideband Use (SRB)
A6	Dn1	Positive half of the USB 2.0 differential pair=Position 1	B7	Dn2	Negative half of the USB 2.0 differential pair=Position 2
A7	Dn1	Negative half of the USB 2.0 differential pair=Position 1	B6	Dp2	Positive half of the USB 2.0 differential pair=Position 2
A8	SRE1	Sideband Use (SRE)	B5	CC2	Configuration Channel
A9	Ves	Bus Power	B4	Ves	Bus Power
A10	SSRx02	Negative half of second SuperSpeed RX differential pair	B3	SSTx02	Positive half of second SuperSpeed TX differential pair
A11	SSRx02	Positive half of second SuperSpeed RX differential pair	B2	SSTx02	Negative half of second SuperSpeed TX differential pair
A12	GND	Ground return	B1	GND	Ground return

F	EMI	1	SUS301	
E	PICKUP COVER	1	LCP UL 94V-0	BLACK
D	SPRING	1	SUS301	Ni 50u" MIN. UNDER PLATED OVER ALL, 80u" MIN. TIN PLATED ON SOLDER AREA.
C	CONTACT	24	C7025	SEE PART NO.
B	SHELL	1	SUS304	30u" MIN. NICKEL
A	HOUSING	1	LCP UL 94V-0	BLACK
NO	DESCRIPTION	QTY	MATERIAL	PLATING & COLOR

UNLESS OTHERWISE SPECIFIED TOLERANCES

信音科技(香港)有限公司

DECIMALS:	ANGLES:	TITLE	TYPE C PLUG		
X : ±0.5	X : ±2°	DWN	EVEN 2021.01.22	PART NO. 2UP1532-C00111F	
X.X : ±0.3	X.X : ±1°	CHKD		SCALE: 1:1	UNIT: mm
X.XX : ±0.2		APVD	ANGELA2021.01.22	SIZE: A3	SHEET: 1 OF 1
CUSTOMER COPY					