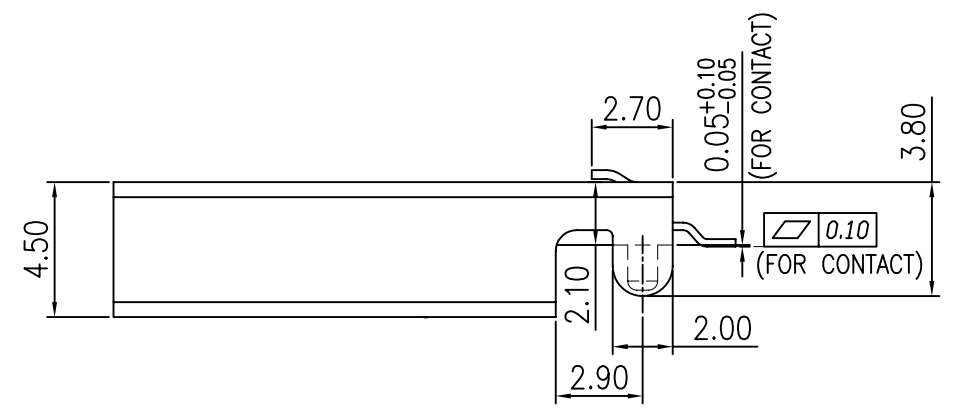
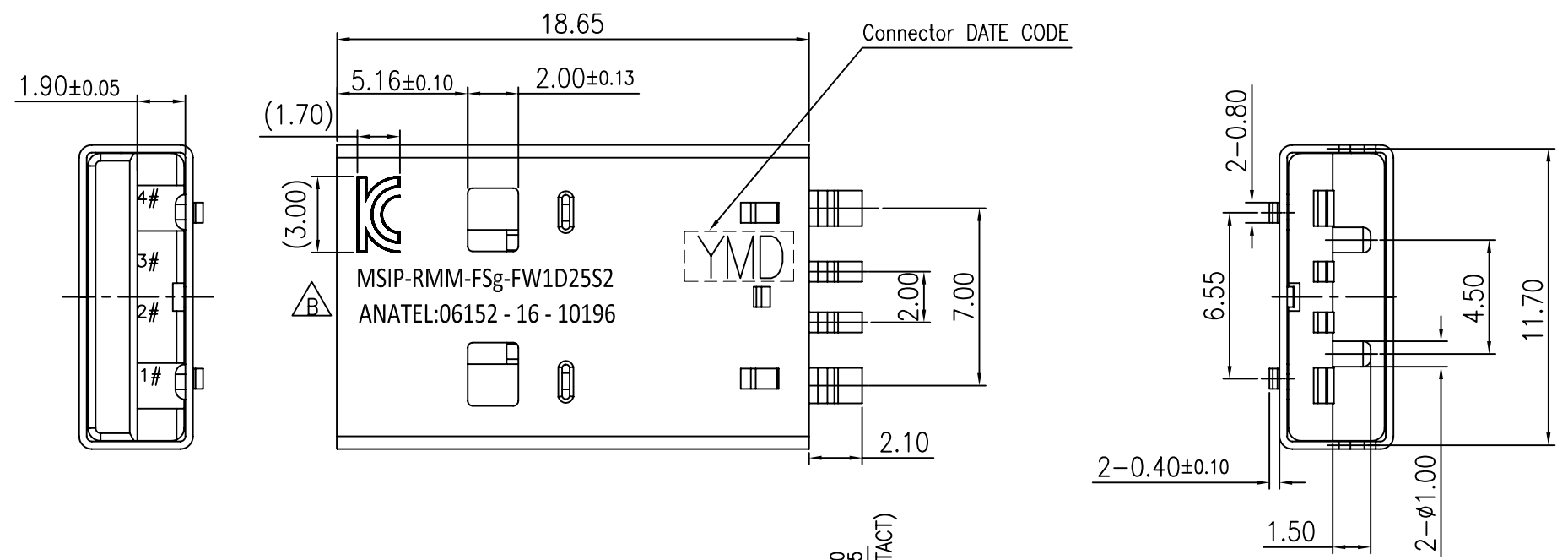


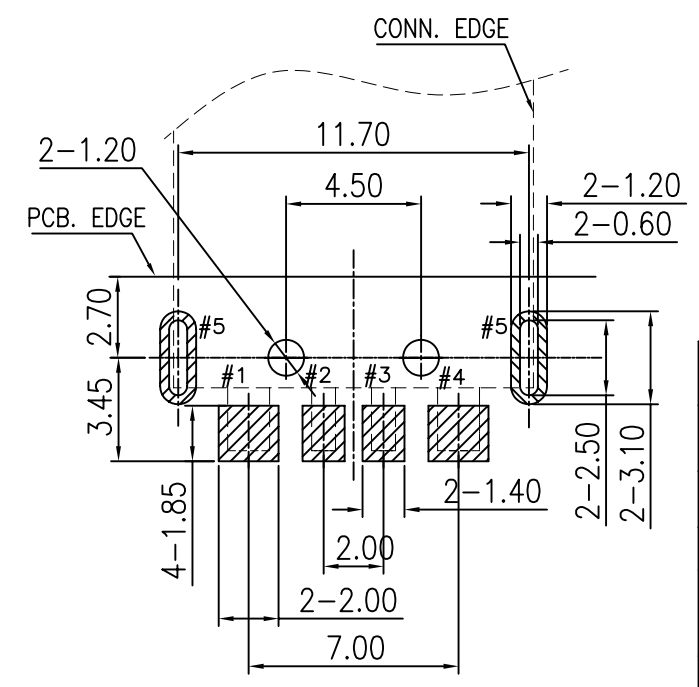
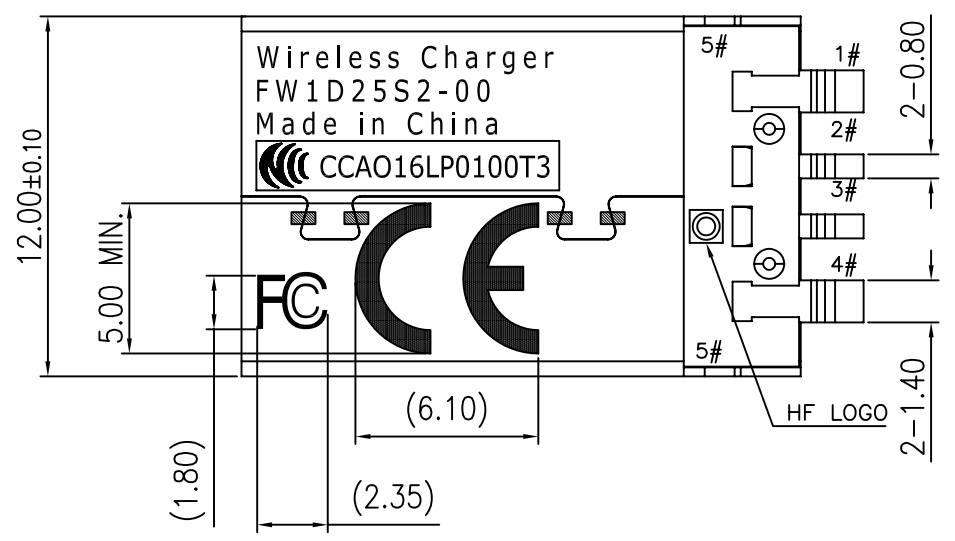
CUSTOMER P/N
FPS-310-D0000640-102-3

REV.	ECN NO OR DESCRIPTION	REVISED	DATE
A	PRODUCT RELEASE	Rex-Tan	2016.10.10
B	ECN NO. C170025 ADD PRODUCT SERIAL NUMBER, AND CUSTOMER P/N	Weijie.Zeng	2017.04.24



SPECIFICATIONS:

- ELECTRICAL CHARACTERISTICS:
 - 1-1. RATING: 30V/1A
 - 1-2. CONTACT RESISTANCE: 30mΩ MAX.(INITIAL)
 - 1-3. #4 TO #5 CONTACT RESISTANCE: 100mΩ MAX.
 - 1-4. DIELECTRIC WITHSTANDING VOLTAGE: 500V AC FOR ONE MINUTE.
 - 1-5. INSULATION RESISTANCE: 100MΩ MIN. MEASURED BY 500 VDC
- LIFE TEST: 5,000 CYCLES.
- SALT SPRAY TEST 8 HRS.
- TO CONFORM TO SINGATRON HAZARDOUS SUBSTANCE FREE SPEC.
- HALOGEN FREE PRODUCT IDENTIFICATION MARK ON PRODUCT:
- HALOGEN FREE PRODUCT IDENTIFICATION LOGO ON PACKAGING:
- FOR REFLOW SOLDERING LEAD-FREE PROCESS.



RECOMMENDED PCB LAYOUT
TOP VIEW (TOLRANCE: ±0.05)

NO	DESCRIPTION	QTY	MATERIAL	PLATING & COLOR
C	SHELL	1	SUS430 M T=0.30	Ni 60u"MIN PLATING
B	CONTACT	1	COPPER ALLOY T=0.25±0.01	Au 15u"MIN ON CONTACT AREA, Matt Sn(Lead Free)100u"MIN ON SOLDER AREA, ALL OVER Ni 50u"MIN PLATING.
A	INSERT MOULDING	1	HIGH TEMP.THERMOPLASTIC, UL94V-0	BLACK COLOR
UNLESS OTHERWISE SPECIFIED TOLERANCES		Singatron Enterprise Co., Ltd. 信音企業股份有限公司		
DECIMALS: ANGLES:		TITLE: USB 2.0 SMT PLUG(LEG 3.8mm)		
X	:±0.5	X	:±2°	DWN weijie-Zeng 17/04/27
X.X	:±0.3	X.X	:±1°	CHKD Qicai-Hu 17/04/27
X.XX	:±0.2			APVD Zjz-Zhou 17/04/27
		SCALE 4:1 UNIT: mm		
		SIZE: A4 SHEET: 10F1 REV: B		
CUSTOMER COPY				