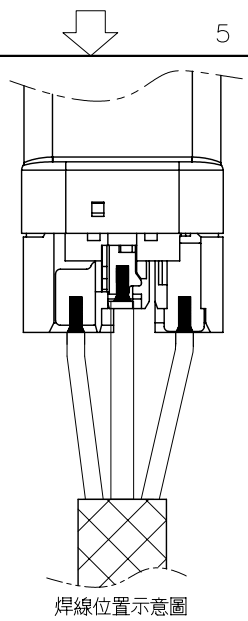
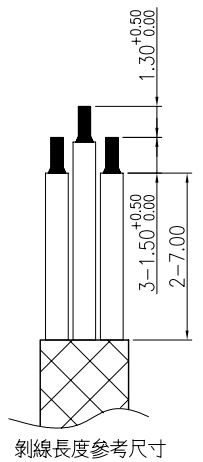
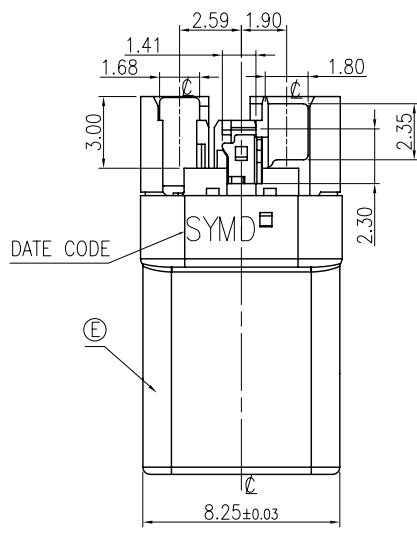
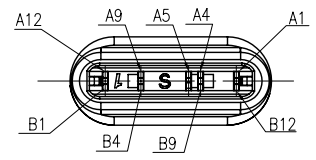
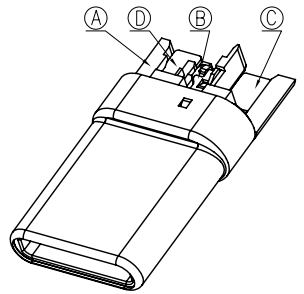
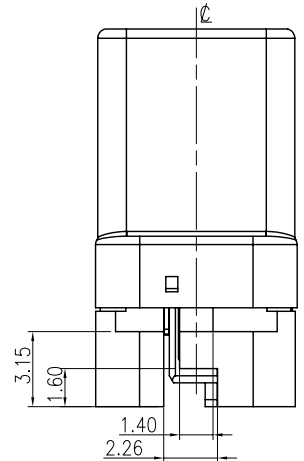
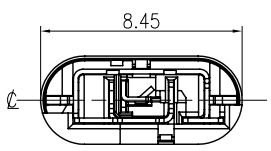
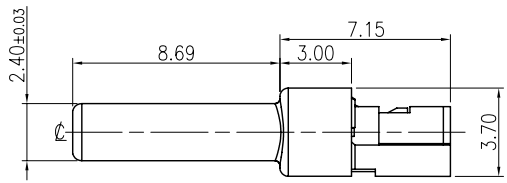
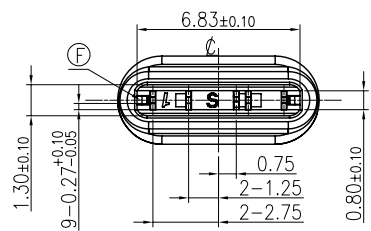


REV.	ECN NO OR DESCRIPTION	REVISED	DATE
A	PRODUCT RELEASE	Junkang	2019.03.06



- SPECIFICATIONS:
- ELECTRICAL CHARACTERISTICS:
    - 1-1. RATING: 20VDC/5.0A MAX.
    - 1-2. CONTACT RESISTANCE: 40mΩ MAX.(INITIAL) 50mΩ MAX.(FINAL).
    - 1-3. DIELECTRIC WITHSTANDING VOLTAGE: 100V AC FOR ONE MINUTE.
    - 1-4. INSULATION RESISTANCE: 100MΩ MIN. BY 100V DC.
  - MECHANICAL CHARACTERISTICS:
    - 2-1. INSERTION FORCE: 5~20N(0.50~2.00kgf.)
    - 2-2. WITHDRAWAL FORCE:
      - A. 8~20N(0.80~2.00kgf.)(INITIAL)
      - B. 6~20N(0.60~2.00kgf.)(AFTER DURABILITY TEST)
    - 2-3. DURABILITY: 10,000 CYCLES MIN.
  - ENVIRONMENTAL CHARACTERISTICS:
    - 3-1. OPERATING TEMPERATURE: -55°C~+85°C.
    - 3-2. TO CONFORM TO THE SINGATRON HAZARDOUS SUBSTANCE FREE SPEC.
    - 3-3. HALOGEN FREE PRODUCT IDENTIFICATION MARK: ☉
    - 3-4. HALOGEN FREE PRODUCT IDENTIFICATION LABEL ON PACKAGING:
  - OTHER GENERAL SPEC. TO REFER "2UP2C02-000111F SPEC".
  - FOR HAND SOLDERING LEAD-FREE PROCESS.
  - PACKAGING: TRAY.
  - DATE CODE "S Y M D"



PIN ASSIGNMENTS:

PIN No.	SIGNAL NAME
A1,A12,B1,B12	GND
SHELL	
A4,A9,B4,B9	Vbus
A5	CC

SHORT

NO.	DESCRIPTION	QTY.	MATERIAL	PLATING & COLOR
F	LOCK RING	1	STAINLESS STEEL	NICKEL PLATING
E	SHELL	1	STAINLESS STEEL	NICKEL PLATING
D	A1,A12,B1,B12 PIN	1	COPPER ALLOY	Au 30u" Min. ON CONTACT AREA MATTE Tin 60u" Min. ON SOLDER AREA ALL OVER NICKEL PLATING
C	A4,A9,B4,B9 PIN	1	COPPER ALLOY	
B	A5 PIN	1	COPPER ALLOY	
A	HOUSING	1	HIGH TEMP. THERMOPLASTIC UL 94V-0	BLACK

UNLESS OTHERWISE SPECIFIED TOLERANCES

DECIMALS: X :±0.5 X.X :±0.3 X.XX :±0.2

ANGLES: X :±2° X.X :±1°

Singatron Enterprise Co., Ltd.  
信音企業股份有限公司

TITLE: USB Type-C PLUG

DWN: Junkang-Zhong 19/03/11 PART NO.: 2UP2C02-000111F

CHKD: QICai-Hu 19/03/11 SCALE 5:1 UNIT: mm

APVD: jim-deng 19/03/11 SIZE: A3 SHEET: 10F1 REV: A

CUSTOMER COPY