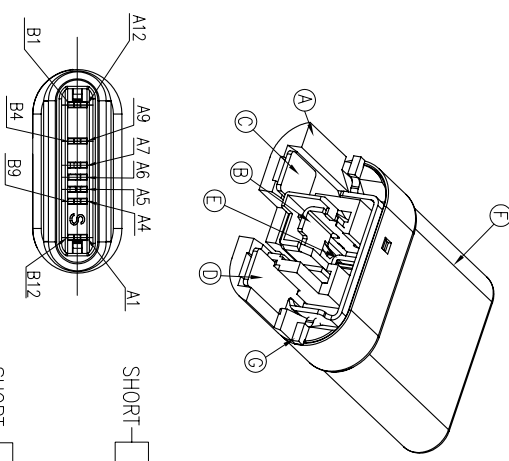
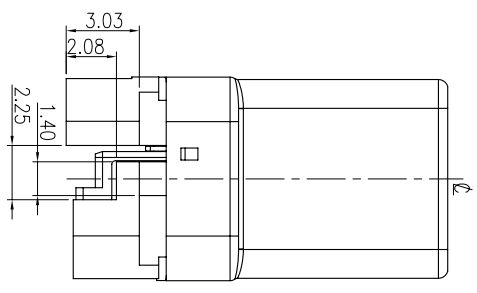
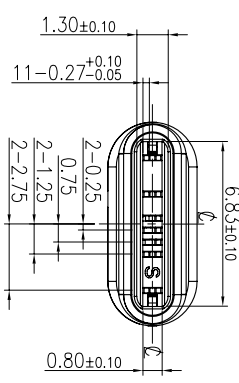
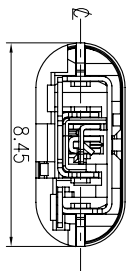
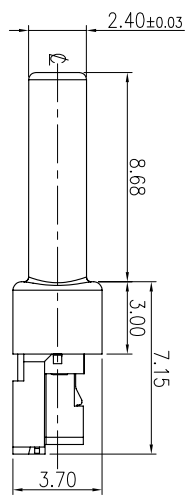
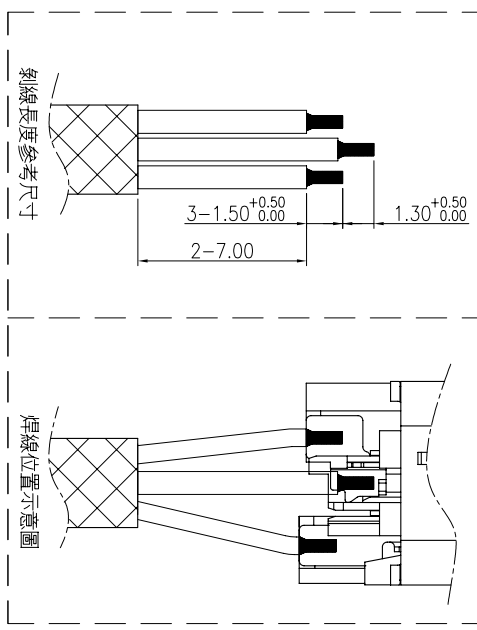
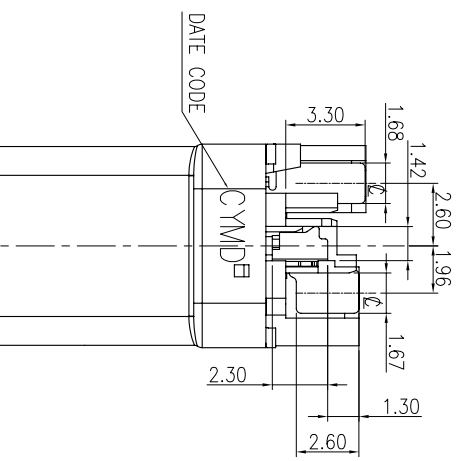


REV.	ECN NO OR DESCRIPTION	REVISED	DATE
A	PRODUCT RELEASE	Junkang	2019.07.09
B	ECN:C202005-001 UPDATE DRAWING	Ruming	2020.08.19



PIN ASSIGNMENTS:

PIN NO.:	SIGNAL NAME
A1,A12,B1,B12	GND
SHELL	
A4,A9,B4,B9	Vbus
A5	CC
A6	
A7	SHORT

NO.	DESCRIPTION	MATERIAL	PLATING & COLOR
A	HOUSING	HIGH TEMP. THERMOPLASTIC UL 94V-0	BLACK
B	A5 PIN	COPPER ALLOY	
C	A4,A9,B4,B9 PIN	COPPER ALLOY	Au 1u"ON CONTACT AREA MATE IN 60u" Min. ON SOLDER AREA ALL OVER NICKEL PLATING.
D	A1,A12,B1,B12 PIN	COPPER ALLOY	
E	A6&A7 PIN	COPPER ALLOY	Au 1u"ON CONTACT AREA ALL OVER NICKEL PLATING
F	SHELL	STAINLESS STEEL	NICKEL PLATING
G	LOCK RING	STAINLESS STEEL	NICKEL PLATING

NO.	DESCRIPTION	MATERIAL	PLATING & COLOR
UNLESS OTHERWISE SPECIFIED TOLERANCES			
DECIMALS: ANGLES:			
X	:±0.5	X	:±2°
X.X	:±0.3	X.X	:±1°
X.XX	:±0.2		

Singatron Enterprise Co., Ltd.
信音企業股份有限公司

USB Type-C PLUG

TITLE	SCALE	SHEET	REV.
DWN Rui ming-Cheng	1:1	10F1	B
CHKD Qicai-Hu			
APVD Jim-Deng	A3		

CUSTOMER COPY