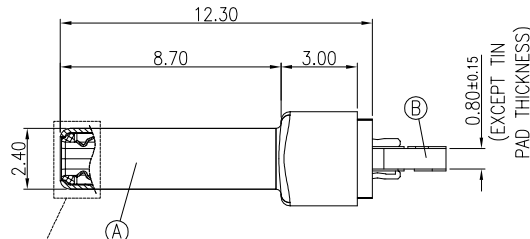
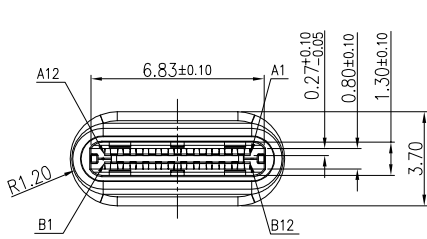
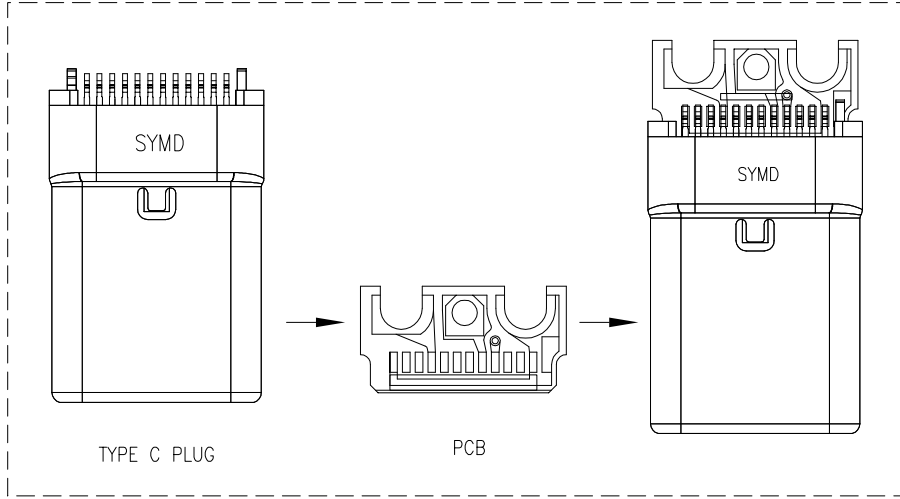
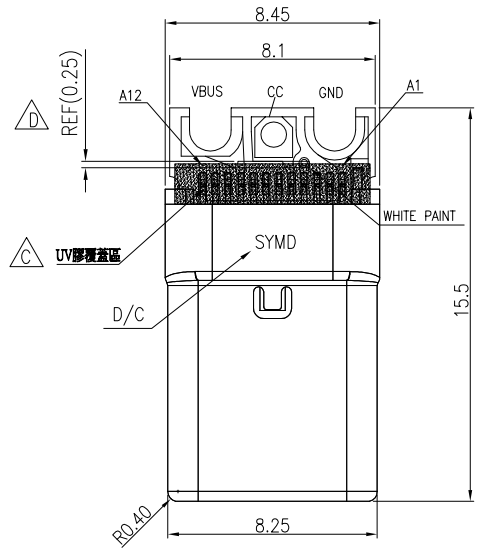
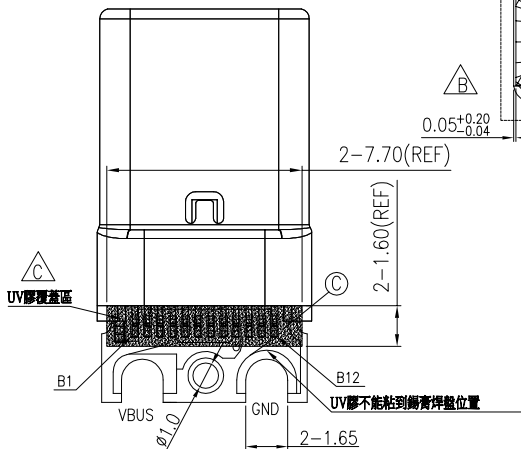


REV.	ECN NO OR DESCRIPTION	REVISED	DATE
A	PRODUCT RELEASE	WZJ_Wei	2017.02.20
B	ECN NO.:C170058 UPDATE DRAWING	Weijie.Zeng	2017.07.15
C	ECN NO.:C202111-C02	Ye wei	2021.12.17
D	ECN NO.:C202112-R01	Ye wei	2021.12.28

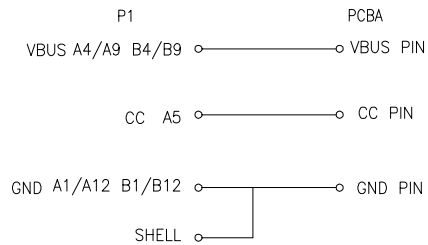


SPECIFICATIONS:

- ELECTRICAL CHARACTERISTICS:
 - RATING: 5A.
 - CONTACT RESISTANCE: 40mΩ MAX.(INITIAL).
 - INSULATION RESISTANCE: 100 MEGAOHMS MIN. BY 100V DC.
 - DIELECTRIC WITHSTANDING VOLTAGE: 100V AC FOR 1 MINUTE.
- MECHANICAL CHARACTERISTICS:
 - INSERTION FORCE: 5~20N
 - WITHDRAWAL FORCE: 8N~20N(INITIAL); 6~20N(AFTER LIFE TEST)
- LIFE TEST: 10,000 CYCLES .
- OTHER GENERAL SPEC. TO REFER "USB TYPE C PLUG WITH PCB TYPE".
- TO CONFORM TO SINGATRON HAZARDOUS SUBSTANCE FREE SPEC.
- HALOGEN FREE PRODUCT IDENTIFICATION MARK ON PRODUCT:
- HALOGEN FREE PRODUCT IDENTIFICATION LABEL ON PACKAGING:



WIRE DIAGRAM



C	UV膠		N/A	TRANSPARENT BLUE
B	PCB	1	FR4	N/A
A	TYPE C PLUG	1	P/N: 2UP2Y01-C00110F	
NO	DESCRIPTION	QTY	MATERIAL	PLATING & COLOR
UNLESS OTHERWISE SPECIFIED TOLERANCES		Singatron Enterprise Co., Ltd. 信音企業股份有限公司		
DECIMALS: ANGLES:		TITLE: USB C TYPE PLUG		
X	:±0.5	X	:±2°	DWN Ye wei PART NO. 2UP2Y01-C001B1F
X.X	:±0.3	X.X	:±1°	CHKD Jim-deng SCALE 5:1 UNIT: mm
X.XX	:±0.2	APVD Jim-deng SIZE: A3 SHEET:1 OF 1 REV: D		
CUSTOMER COPY				