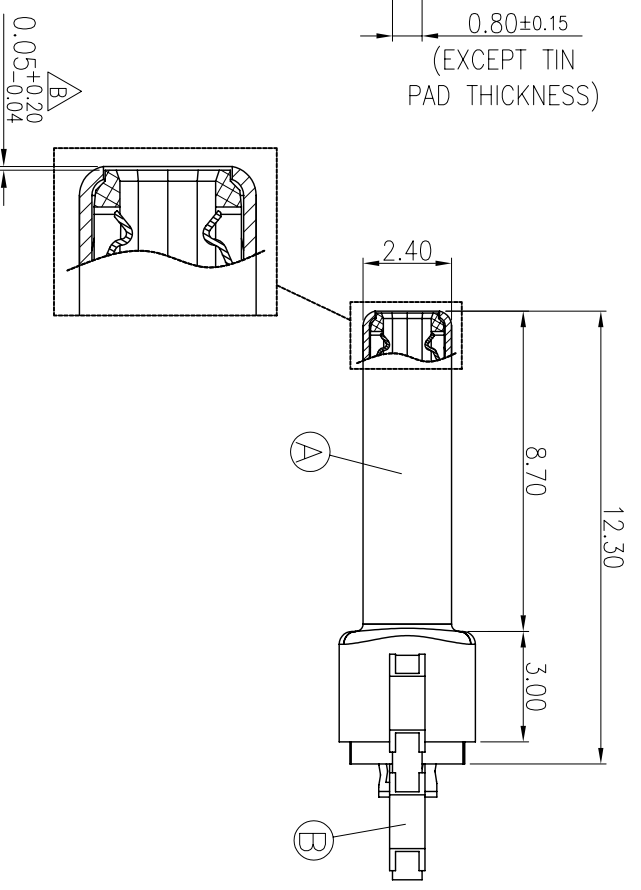
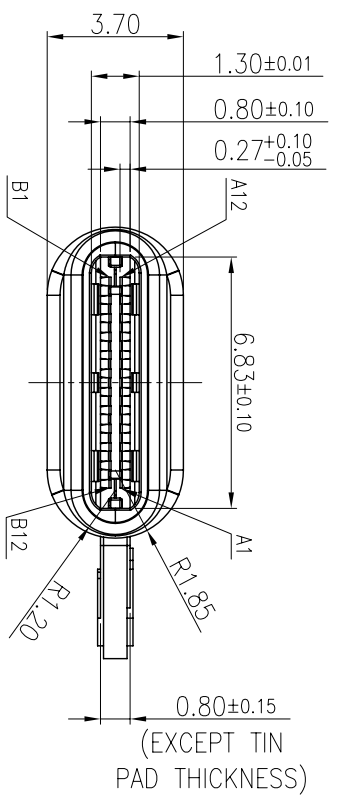
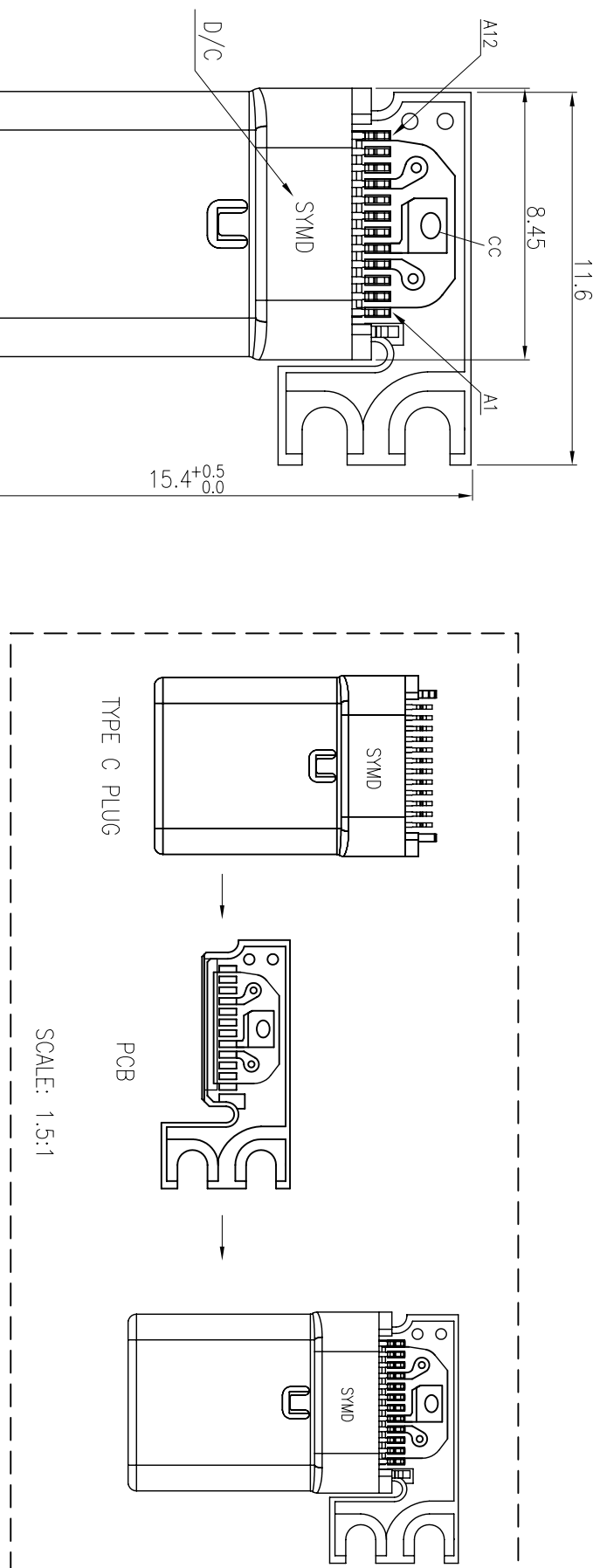
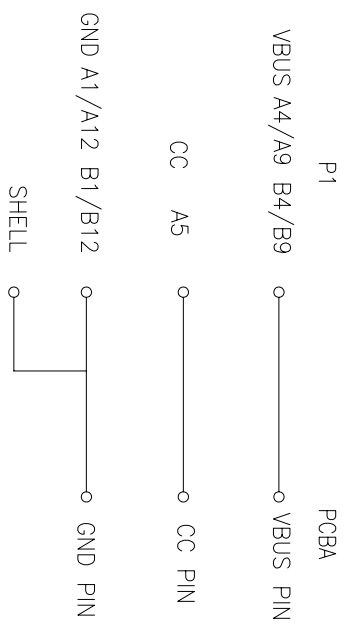


REV.	ECN NO OR DESCRIPTION	REVISED	DATE
A	PRODUCT RELEASE	WZJ_Wei	2017.02.20
B	ECN NO.:C170058 UPDATE DRAWING	WeiJie,Zeng	2017.07.15



WIRE DIAGRAM



- SPECIFICATIONS:
- ELECTRICAL CHARACTERISTICS:
 - RATING: 5A.
 - CONTACT RESISTANCE: 40mΩ MAX.(INITIAL).
 - INSULATION RESISTANCE: 100 MEGAΩHMS MIN. BY 100V DC.
 - DIELECTRIC WITHSTANDING VOLTAGE: 100V AC FOR 1 MINUTE.
 - MECHANICAL CHARACTERISTICS:
 - INSERTION FORCE: 5~20N
 - WITHDRAWAL FORCE: 8N~20N(INITAL); 6~20N(AFTER LIFE TEST)
 - LIFE TEST: 10,000 CYCLES .
 - OTHER GENERAL SPEC. TO REFER "USB TYPE C PLUG WITH PCB TYPE".
 - TO CONFORM TO SINGATRON HAZARDOUS SUBSTANCE FREE SPEC.
 - HALOGEN FREE PRODUCT IDENTIFICATION MARK ON PRODUCT:
 - HALOGEN FREE PRODUCT IDENTIFICATION LABEL ON PACKAGING:

B	PCB	1	FR4	N/A
A	TYPE C PLUG	1	P/N: 2UP2Y01-C00110F	
NO	DESCRIPTION	QTY	MATERIAL	PLATING & COLOR
UNLESS OTHERWISE SPECIFIED TOLERANCES				
DECIMALS:	ANGLES:			
X :±0.5	X :±2°			
X.X :±0.3	X.X :±1°			
X.XX :±0.2				
TITLE	USB C TYPE PLUG			
DWN	wellie-Zeng	PART NO.	2UP2Y01-C001C1F	
CHKD	17/08/01	SCALE	5:1	
APVD	Zfz-Zhou	UNIT:	mm	
	17/08/01	SIZE:	A3	
		SHEET:	1 OF 1	
		REV:	B	

Singatron Enterprise Co., Ltd.
信音企業股份有限公司

CUSTOMER COPY