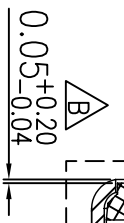
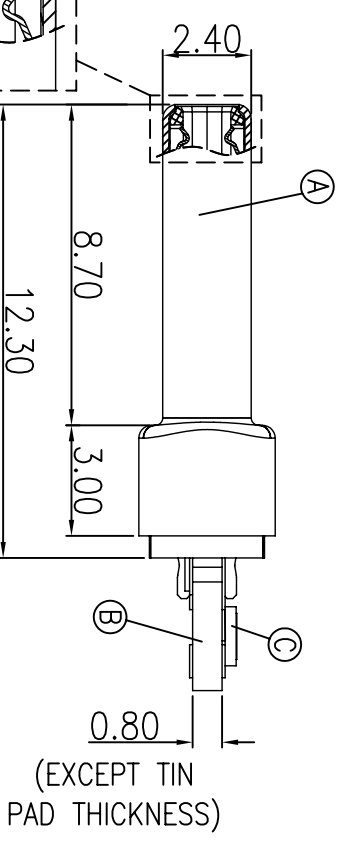
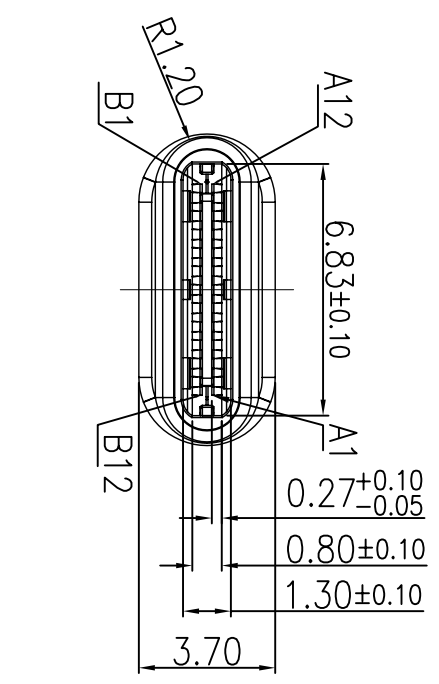
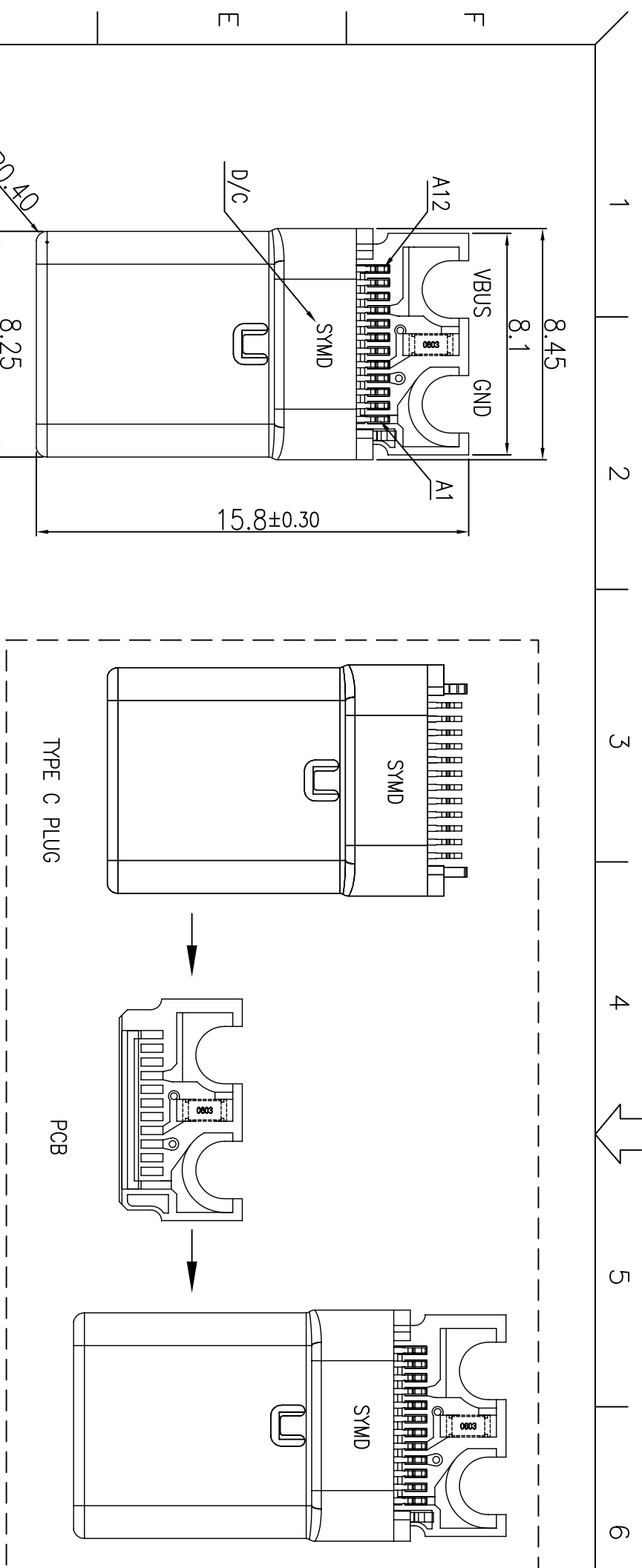
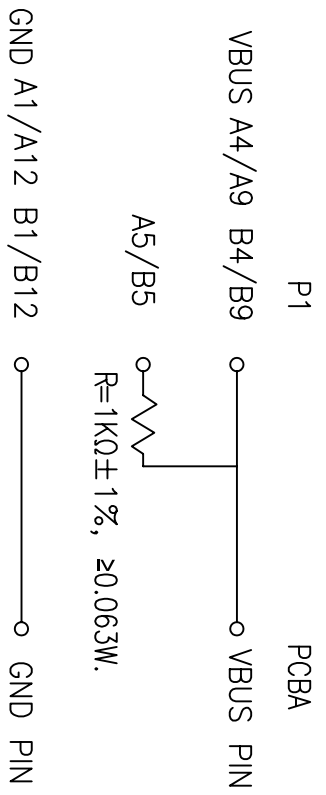


REV.	ECN NO OR DESCRIPTION	REVISED	DATE
A	PRODUCT RELEASE	WZJ_Wei	2017.02.20
B	ECN NO.:C170058 UPDATE DRAWING	Weijie.Zeng	2017.07.15



WIRE DIAGRAM



- SPECIFICATIONS:
- ELECTRICAL CHARACTERISTICS:
    - RATING: 5A.
    - CONTACT RESISTANCE: 40mΩ MAX.(INITIAL).
    - INSULATION RESISTANCE: 100 MEGAΩHMS MIN. BY 100V DC.
    - DIELECTRIC WITHSTANDING VOLTAGE: 100V AC FOR 1 MINUTE.
  - MECHANICAL CHARACTERISTICS:
    - INSERTION FORCE: 5~20N
    - WITHDRAWAL FORCE: 8N~20N(INITIAL); 6~20N(AFTER LIFE TEST)
    - LIFE TEST: 10,000 CYCLES .
    - OTHER GENERAL SPEC. TO REFER "USB TYPE C PLUG WITH PCB TYPE".
    - TO CONFORM TO SINGATRON HAZARDOUS SUBSTANCE FREE SPEC.
    - HALOGEN FREE PRODUCT IDENTIFICATION MARK ON PRODUCT:
    - HALOGEN FREE PRODUCT IDENTIFICATION LABEL ON PACKAGING:

C	RESISTOR	1	0603,1KΩ±1%,≥0.063W	N/A
B	PCB	1	FR4	N/A
A	TYPE C PLUG	1	P/N: 2UP2Y01-C00110F	
NO	DESCRIPTION	QTY	MATERIAL	PLATING & COLOR
UNLESS OTHERWISE SPECIFIED TOLERANCES				
Singatron Enterprise Co., Ltd. 信音企業股份有限公司				
TITLE	USB C TYPE PLUG + PCB			
DWN	weijie-Zeng 17/08/01	PART NO. 2UP2Y01-C001K1F		
CHKD	Qincai-Hu 17/08/01	SCALE 5:1	UNIT: mm	
APVD	Zhe-Zhou 17/08/01	SIZE: A3	SHEET:1 OF 1	REV: B

CUSTOMER COPY