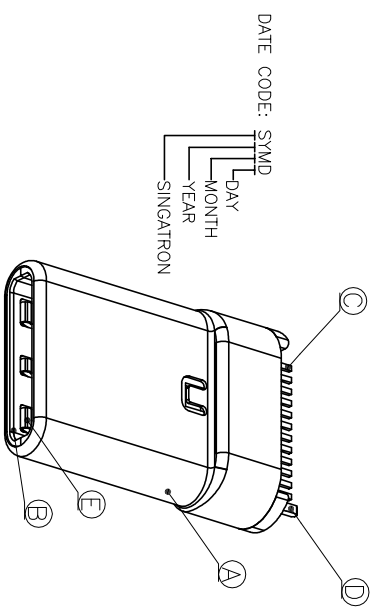
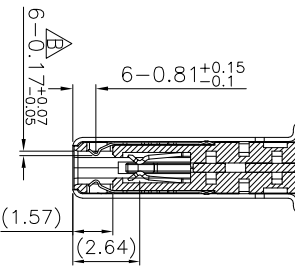
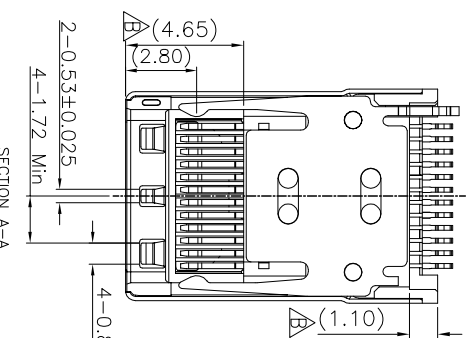
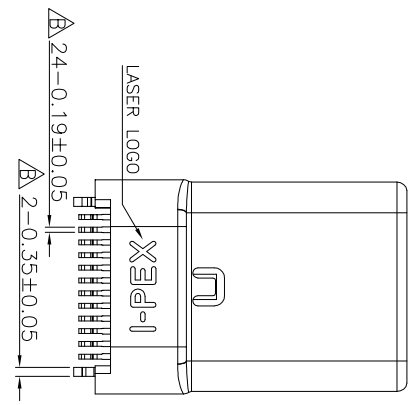
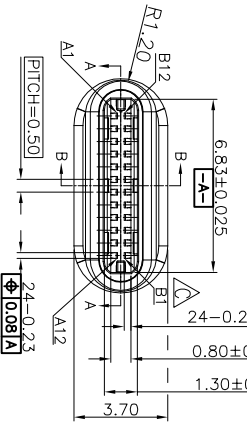
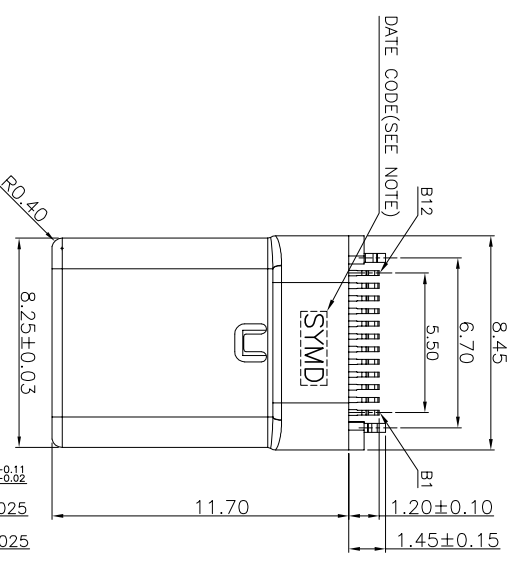


REV.	ECN NO.	OR DESCRIPTION	REVISED	DATE
A	PRODUCT RELEASE	Stone		2019/01/24
B	ECN NO.C201912-R08	Shunzhong		2020.04.21
C	ECN NO.ECN NO:C202007-C01	Ye WEI		2020.09.15



DATE CODE: SYMD
 DAY MONTH YEAR
 SINGATRON



- SPECIFICATIONS:
- ELECTRICAL CHARACTERISTICS:
 - RATING: 5A.
 - CONTACT RESISTANCE: 40mΩ MAX.
 - INSULATION RESISTANCE: 100 MEGAΩHMS MIN. BY 100V DC.
 - DIELECTRIC WITHSTANDING VOLTAGE: 100V AC FOR 1 MINUTE.
 - MECHANICAL CHARACTERISTICS:
 - INSERTION FORCE : 0.5~2.0kgf.
 - WITHDRAWAL FORCE : 0.8~2.0kgf.
 - LIFE TEST: 10,000 CYCLES .
 - OTHER GENERAL SPEC. TO REFER "USB C TYPE PLUG SERIES SPEC."
 - TO CONFORM TO SINGATRON HAZARDOUS SUBSTANCE FREE SPEC.
 - HALOGEN FREE PRODUCT IDENTIFICATION MARK ON PRODUCT:
 - HALOGEN FREE PRODUCT IDENTIFICATION LABEL ON PACKAGING:

F	MYLAR	1	POLYIMIDE TAPE	N/A
E	GROUND SPRING	1	SUS301	NICKEL PLATING 40U" Min.
D	LATCH	2	SUS301	NICKEL PLATING 40U" Min.
C	TERMINAL	24	C7025	AU 2u"±Pd-NI 30u" ON CONTACT AREA AND MAT. SN ON SOLDER AREA ALL OVER NICKEL PLATING
B	HOUSING	2	PA9T	BLACK
A	SHELL	1	SUS316	NICKEL PLATING 40U" Min.
NO	DESCRIPTION	QTY	MATERIAL	PLATING & COLOR
UNLESS OTHERWISE SPECIFIED TOLERANCES				
Singatron Enterprise Co., Ltd. 信登企業股份有限公司				
TITLE: USB C TYPE PLUG				
DWN	Ye-Wei	PART NO.	2UP2Y01-C00810F	
CHKD	Jin-Deng	SCALE	1:1	UNIT: mm
APVD	Jin-Deng	SIZE: A3	SHEET: 10F1	REV: C

CUSTOMER COPY