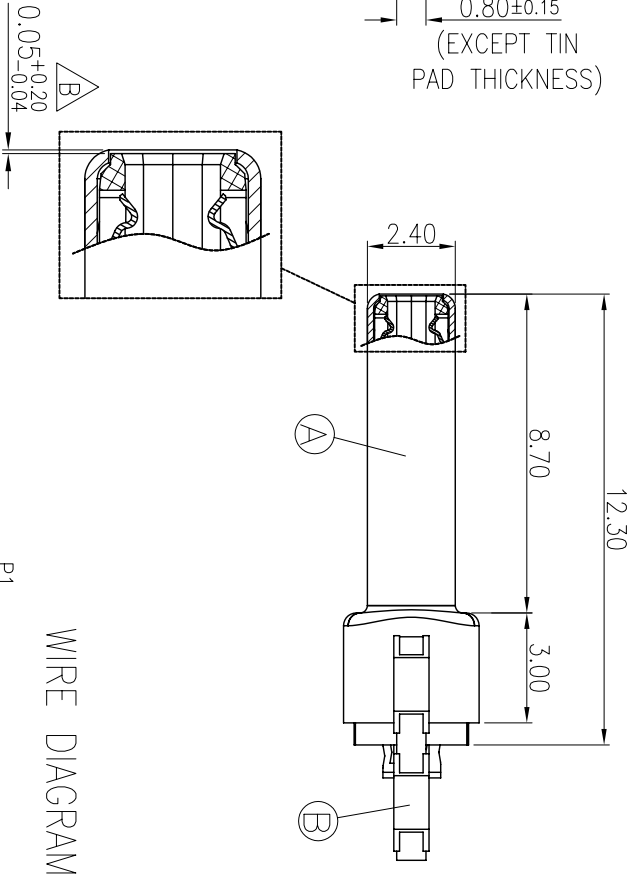
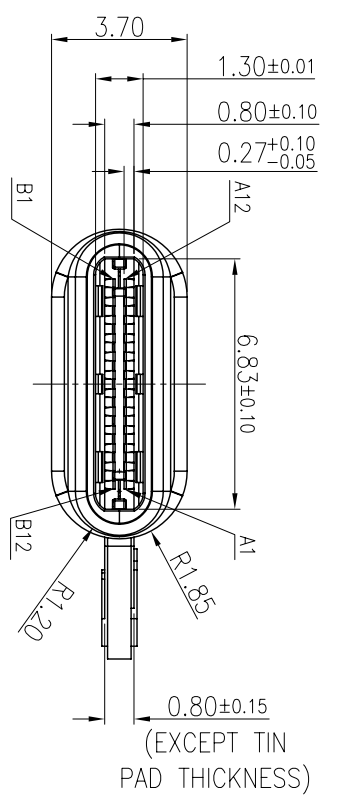
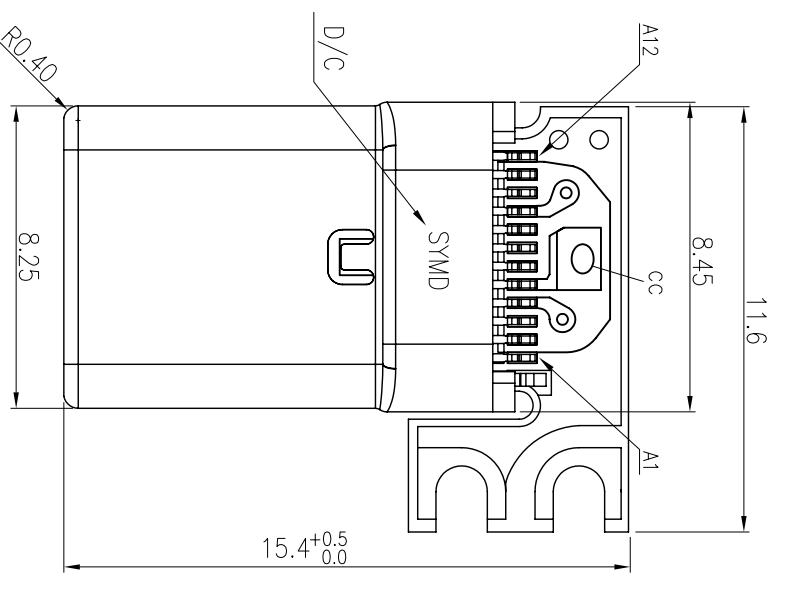
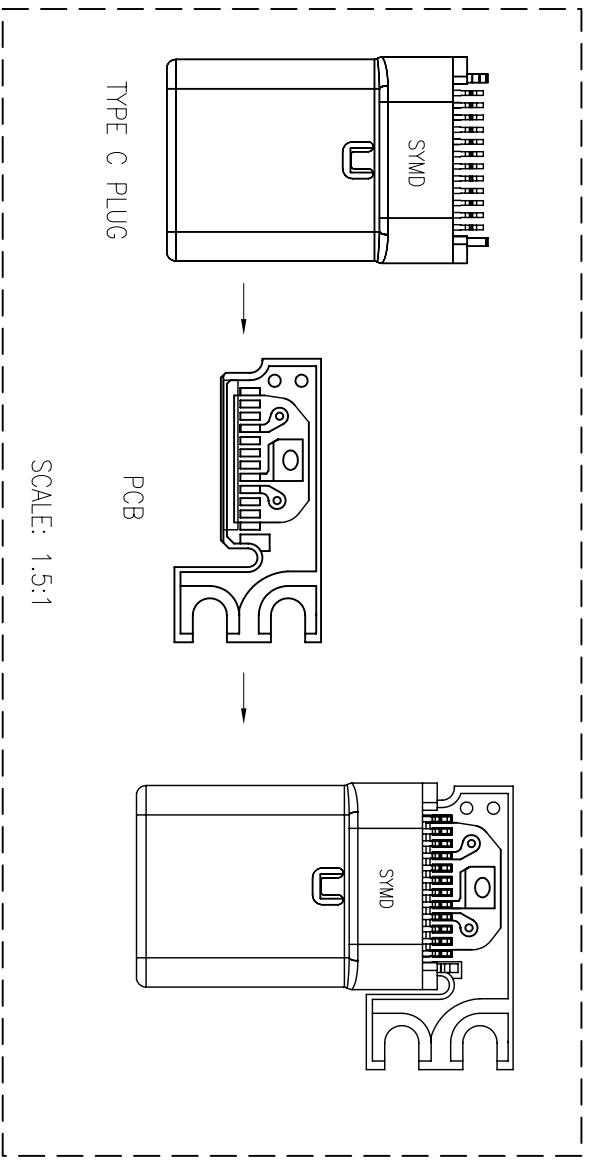
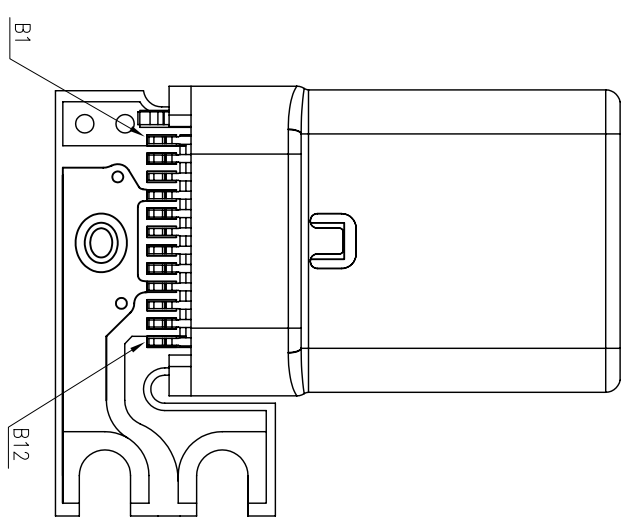
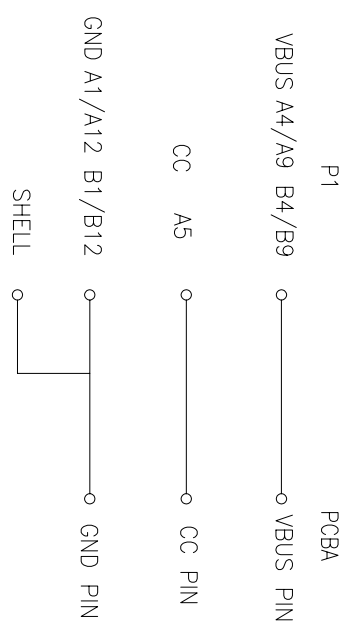


REV.	ECN NO OR DESCRIPTION	REVISED	DATE
A	PRODUCT RELEASE	WZJ_Wei	2017.02.20
B	ECN NO.:C170058 UPDATE DRAWING	Weijie-Zeng	2017.07.15



WIRE DIAGRAM



- SPECIFICATIONS:
- ELECTRICAL CHARACTERISTICS:
    - RATING: 5A.
    - CONTACT RESISTANCE: 40mΩ MAX.(INITIAL).
    - INSULATION RESISTANCE: 100 MEGOHMS MIN. BY 100V DC.
    - DIELECTRIC WITHSTANDING VOLTAGE: 100V AC FOR 1 MINUTE.
  - MECHANICAL CHARACTERISTICS:
    - INSERTION FORCE: 5~20N
    - WITHDRAWAL FORCE: 8N~20N(INITIAL); 6~20N(AFTER LIFE TEST)
    - LIFE TEST: 10,000 CYCLES.
    - OTHER GENERAL SPEC. TO REFER "USB TYPE C PLUG WITH PCB TYPE".
    - TO CONFORM TO SINGATRON HAZARDOUS SUBSTANCE FREE SPEC.
    - HALOGEN FREE PRODUCT IDENTIFICATION MARK ON PRODUCT:
    - HALOGEN FREE PRODUCT IDENTIFICATION LABEL ON PACKAGING:

NO	DESCRIPTION	QTY	MATERIAL	PLATING & COLOR
B	PCB	1	FR4	N/A
A	TYPE C PLUG	1	P/N: 2UP2Y01-C00110F	

UNLESS OTHERWISE SPECIFIED TOLERANCES

DECIMALS: ANGLES:

X	:±0.5	X	:±2°
X.X	:±0.3	X.X	:±1°
X.XX	:±0.2		

TITLE	USB C TYPE PLUG
DWN	weijie-Zeng 17/08/01
CHKD	Qicai-Hu 17/08/01
APVD	Zi-Zhou 17/08/01

PART NO. 2UP2Y01-CR01C1F  
SCALE 5:1  
UNIT: mm  
SIZE: A3  
SHEET: 1 OF 1  
REV: B

Singatron Enterprise Co., Ltd.  
信晋企业股份有限公司

CUSTOMER COPY

