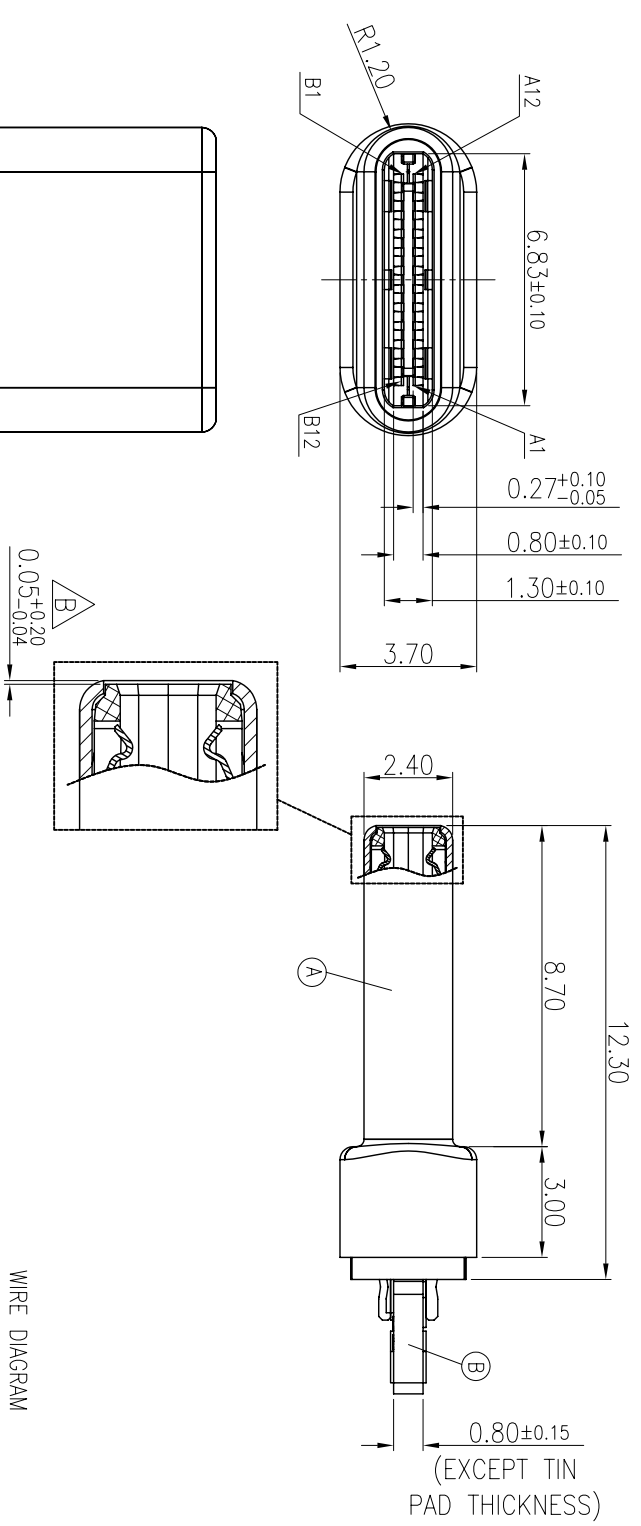
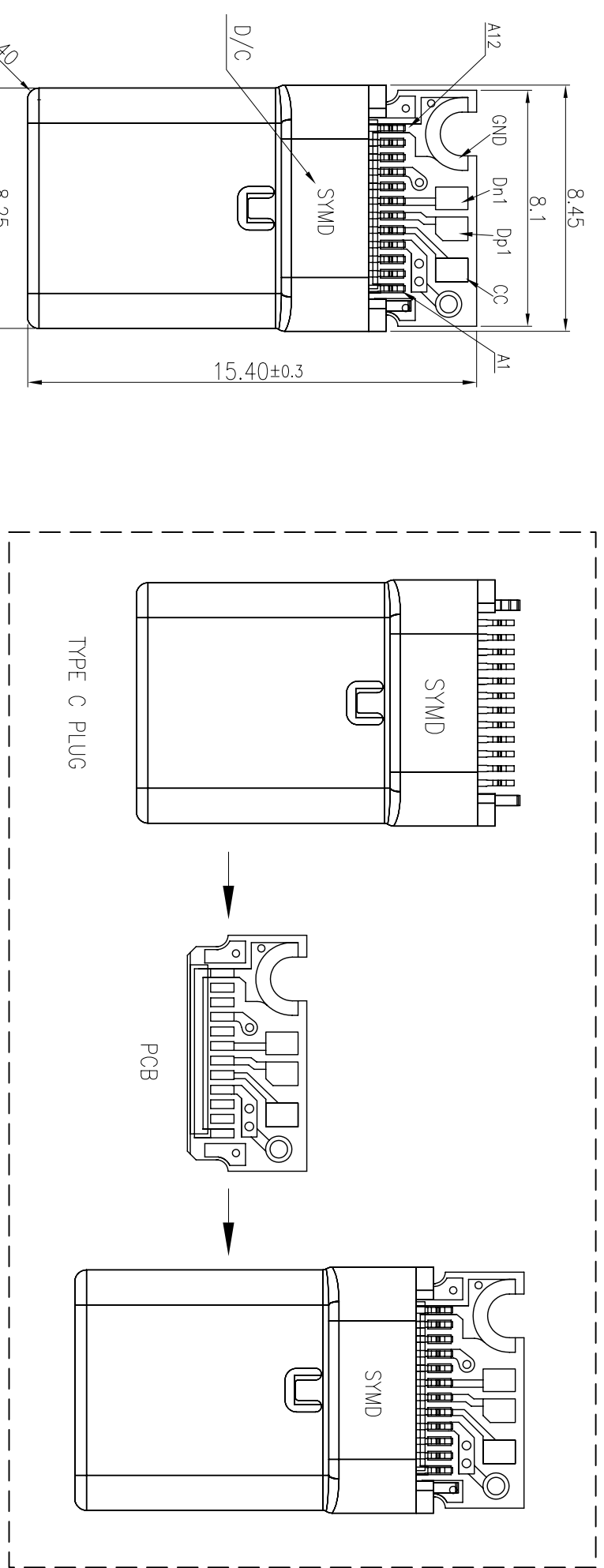
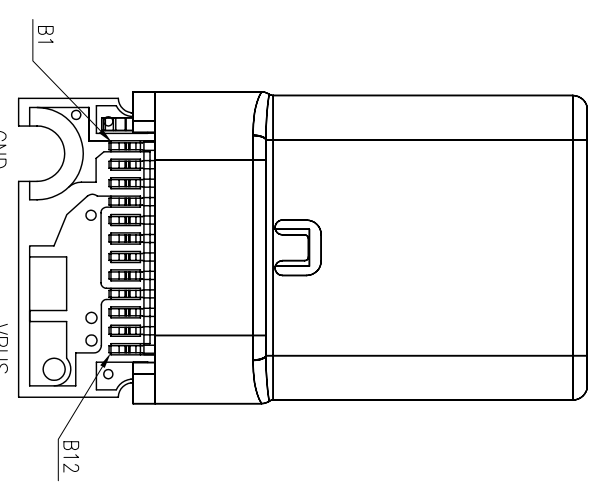


REV.	ECN NO OR DESCRIPTION	REVISED	DATE
A	PRODUCT RELEASE	WZJ_Wei	2017.02.20
B	ECN NO.:C170058 UPDATE DRAWING	WeiJie-Zeng	2017.07.15



WIRE DIAGRAM



PLUG	PCBA
VBUS A4/A9 B4/B9	VBUS PIN
CC A5	CC PIN
Dp1 A6	Dp1 PIN
DN1 A7	DN1 PIN
GND A1/A12 B1/B12 SHELL	SPIRAL GND PIN

- SPECIFICATIONS:
- ELECTRICAL CHARACTERISTICS:
 - RATING: 5A.
 - CONTACT RESISTANCE: 40mΩ MAX.(INITIAL).
 - INSULATION RESISTANCE: 100 MEGAOHMS MIN. BY 100V DC.
 - DIELECTRIC WITHSTANDING VOLTAGE: 100V AC FOR 1 MINUTE.
 - MECHANICAL CHARACTERISTICS:
 - INSERTION FORCE : 5~20N
 - WITHDRAWAL FORCE : INITIAL 8N~20N, AFTER 10,000 CYCLES LIFE TEST 6~20N.
 - LIFE TEST: 10,000 CYCLES .
 - OTHER GENERAL SPEC. TO REFER "USB TYPE C PLUG WITH PCB TYPE".
 - TO CONFORM TO SINGATRON HAZARDOUS SUBSTANCE FREE SPEC.
 - HALOGEN FREE PRODUCT IDENTIFICATION MARK ON PRODUCT:
 - HALOGEN FREE PRODUCT IDENTIFICATION LABEL ON PACKAGING:

B	PCB	FR4	N/A
A	TYPE C PLUG	1	P/N: 2UP2Y01-C00110F
NO	DESCRIPTION	QTY	MATERIAL PLATING & COLOR
UNLESS OTHERWISE SPECIFIED TOLERANCES			
DECIMALS:		ANGLES:	
X	:±0.5	X	:±2°
X.X	:±0.3	X.X	:±1°
X.XX	:±0.2		
TITLE USB TYPE C PLUG + PCB			
DWN	WeiJie-Zeng 17/08/01	PART NO.	2UP2Y01-CSD011F
CHKD	Qin-Hu 17/08/01	SCALE	5:1
APVD	Zi-Zhou 17/08/01	UNIT:	mm
SIZE: A3		SHEET:	1 OF 1
REV: B			

Singatron Enterprise Co., Ltd.
信音企業股份有限公司

CUSTOMER COPY