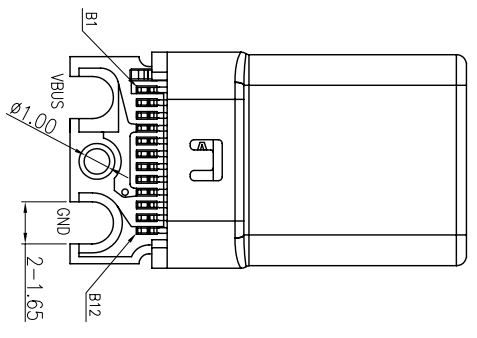
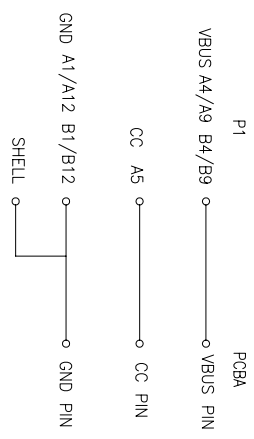


WIRE DIAGRAM



REV.	ECN NO.	OR DESCRIPTION	REVISED	DATE
A		PRODUCT RELEASE	WZJ Wei	2017.05.11
B	ECN NO.:C170058	UPDATE DRAWING	WeiJie-Zeng	2017.07.15
C	ECN NO.:C170123	UPDATE DRAWING	Junkang	2017.11.02
D	ECN NO.:C180010	UPDATE DRAWING	Junkang	2018.02.01
E	ECN NO.:C202004-003		YEW/EI	2020.05.15

SPECIFICATIONS:

- ELECTRICAL CHARACTERISTICS:
 - RATING: 5A.
 - CONTACT RESISTANCE: 40mΩ MAX.(INITIAL).
 - INSULATION RESISTANCE: 100 MEGAΩHMS MIN. BY 100V DC.
 - DIELECTRIC WITHSTANDING VOLTAGE: 100V AC FOR 1 MINUTE.
- MECHANICAL CHARACTERISTICS:
 - INSERTION FORCE: 2~20N
 - WITHDRAWAL FORCE: 8N~20N(INITIAL); 6~20N(AFTER LIFE TEST)
 - LIFE TEST: 10,000 CYCLES.
 - OTHER GENERAL SPEC. TO REFER "2UP2Y01 SERIES SPEC".
 - TO CONFORM TO SINGATRON HAZARDOUS SUBSTANCE FREE SPEC.
 - HALOGEN FREE PRODUCT IDENTIFICATION MARK ON PRODUCT:
 - HALOGEN FREE PRODUCT IDENTIFICATION LABEL ON PACKAGING:

B	PCB	1	FR4	N/A
A	TYPE C PLUG	1	P/N: 2UP2Y01-C00610F	
UNLESS OTHERWISE SPECIFIED TOLERANCES				
DECIMALS:	ANGLES:			
X :±0.5	X :±2°			
X.X :±0.3	X.X :±1°			
X.XX :±0.2				
TITLE	USB C TYPE PLUG			
DWN	Ye Wei	PART NO.:	2UP2Y01-CSP013F	
CHKD	Jim-Deng	SCALE	1:1 UNIT: mm	
APVD	Jim-Deng	SIZE:	A3	SHEET: 10F1 REV:E
CUSTOMER COPY				