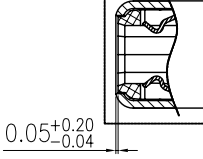
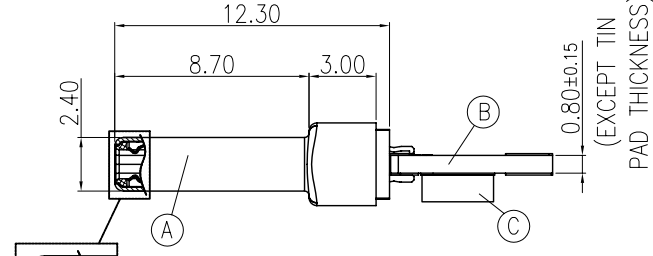
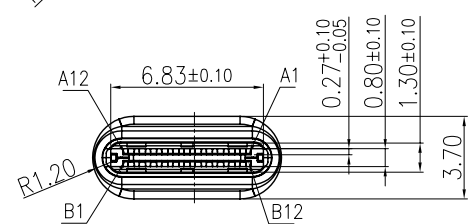
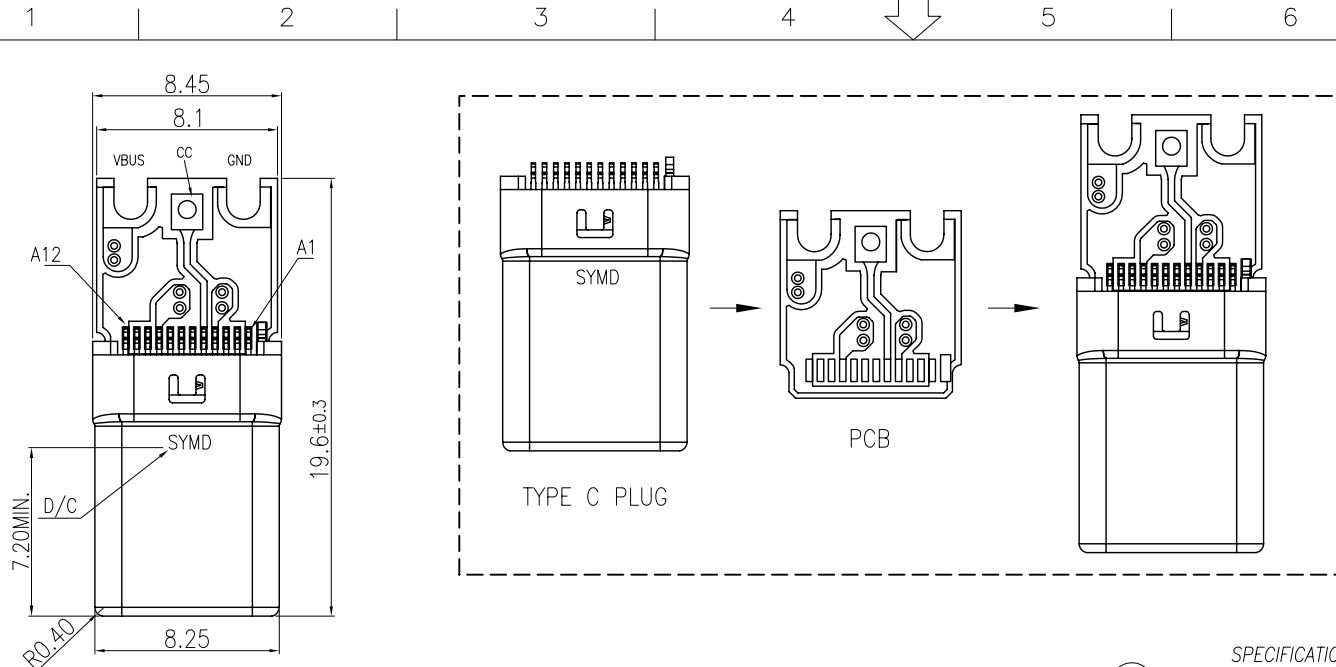
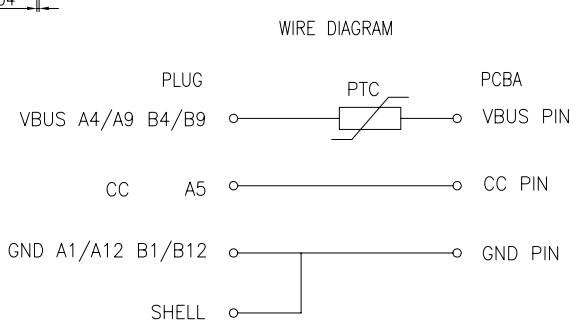
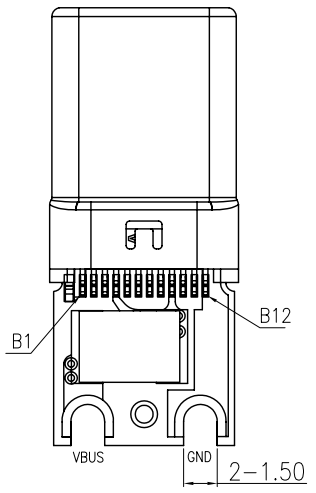


REV.	ECN NO OR DESCRIPTION	REVISED	DATE
A	PRODUCT RELEASE	Weijie.Zeng	17.06.23



- SPECIFICATIONS:**
- ELECTRICAL CHARACTERISTICS:**
 - 1-1. RATING: 3A.
 - 1-2. CONTACT RESISTANCE: 40mΩ MAX.(INITIAL).
 - 1-3. INSULATION RESISTANCE: 100 MEGAOHMS MIN. BY 100V DC.
 - 1-4. DIELECTRIC WITHSTANDING VOLTAGE: 100V AC FOR 1 MINUTE.
 - MECHANICAL CHARACTERISTICS:**
 - 2-1. INSERTION FORCE: 5~20N
 - 2-2. WITHDRAWAL FORCE: 8N~20N(INITIAL), 6~20N(AFTER LIFE TEST).
 - LIFE TEST:** 10,000 CYCLES.
 - OTHER GENERAL SPEC. TO REFER "USB TYPE C PLUG SERIES SPEC".**
 - TO CONFORM TO SINGATRON HAZARDOUS SUBSTANCE FREE SPEC.**
 - HALOGEN FREE PRODUCT IDENTIFICATION MARK ON PRODUCT:**
 - HALOGEN FREE PRODUCT IDENTIFICATION LABEL ON PACKAGING:**



C	THERMISTOR	1	LP-MSML450/16, SMT1812	N/A
B	PCB	1	FR4	N/A
A	TYPE C PLUG	1	P/N: 2UP2Y01-C00610F	
NO.	DESCRIPTION	QTY	MATERIAL	PLATING & COLOR
UNLESS OTHERWISE SPECIFIED TOLERANCES				
Singatron Enterprise Co., Ltd. 信音企業股份有限公司				
DECIMALS: X :±0.5 X.X :±0.3 X.XX :±0.2				
ANGLES: X :±2° X.X :±1°				
TITLE	USB TYPE C PLUG + PCB (WITH PTC)			
DWN	Longjiang-Cao 17/06/29	PART NO.	2UP2Y01-CSP014F	
CHKD	Justin-Kuo 17/06/29	SCALE 5:1	UNIT: mm	
APVD	Max-Mai 17/06/29	SIZE: A3	SHEET: 1 OF 1	REV: A
CUSTOMER COPY				