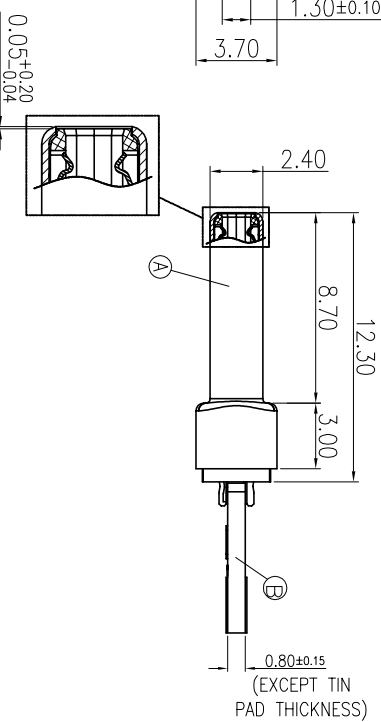
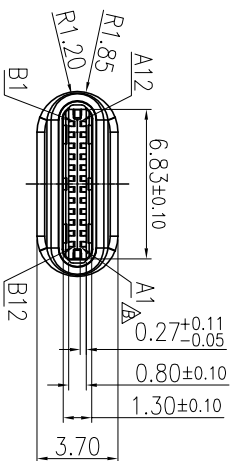
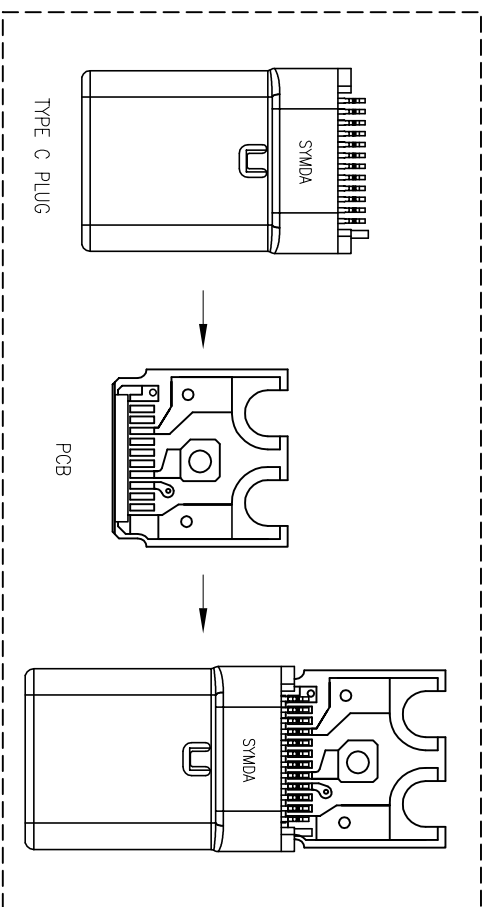
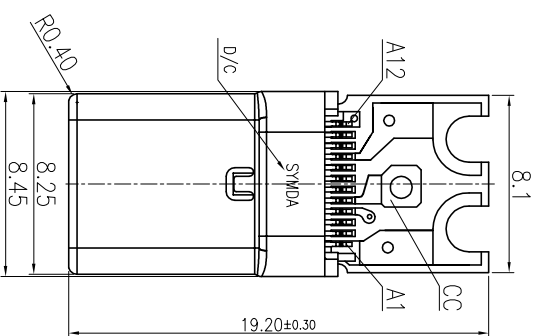
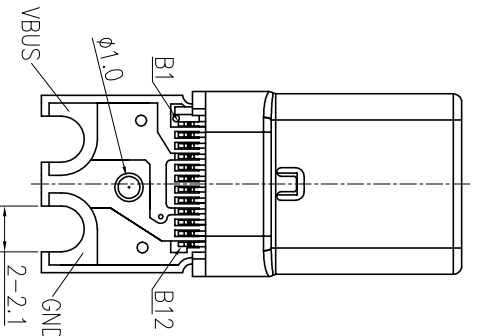
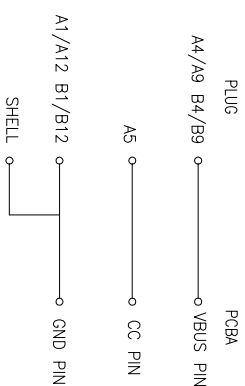


REV.	ECN NO.	OR DESCRIPTION	REVISED	DATE
A		PRODUCT RELEASE	WeiJie Zeng	2017.07.07
B	ECN NO:C202007-C01		Ye Wei	2020.09.16



WIRE DIAGRAM



- SPECIFICATIONS:
1. ELECTRICAL CHARACTERISTICS:
- 1-1. RATING: 5A.
 - 1-2. CONTACT RESISTANCE: 40mΩ MAX (INITIAL).
 - 1-3. INSULATION RESISTANCE: 100 MEGOHMS MIN. BY 100V DC.
 - 1-4. DIELECTRIC WITHSTANDING VOLTAGE: 100V AC FOR 1 MINUTE.
2. MECHANICAL CHARACTERISTICS:
- 2-1. INSERTION FORCE: 5~20N
 - 2-2. WITHDRAWAL FORCE: 8N~20N (INITIAL); 6~20N (AFTER LIFE TEST)
- 3. LIFE TEST: 10,000 CYCLES.
 - 4. OTHER GENERAL SPEC. TO REFER "USB TYPE C PLUG WITH PCB TYPE".
 - 5. TO CONFORM TO SINGATRON HAZARDOUS SUBSTANCE FREE SPEC.
 - 6. HALOGEN FREE PRODUCT IDENTIFICATION MARK ON PRODUCT: (C)
 - 7. HALOGEN FREE PRODUCT IDENTIFICATION LABEL ON PACKAGING: (C)

B	PCB	1	FR4	N/A
A	TYPE C PLUG	1	P/N: 2UP2Y01-C00710F	
NO	DESCRIPTION	QTY	MATERIAL	PLATING & COLOR
UNLESS OTHERWISE SPECIFIED TOLERANCES				
DECIMALS:	ANGLES:	TITLE		
X :±0.5	X :±2°	USB TYPE C PLUG		
X.X :±0.3	X.X :±1°	DMN	Ye-Wei	PART NO. 2UP2Y01-CSP016F
X.XX :±0.2		CHKD	Jim-Dang	SCALE 5:1 UNIT: mm
		APVD	Jim-Dang	SIZE: A3 SHEET: OF 1 REV: B
CUSTOMER COPY				

Singatron Enterprise Co., Ltd.
信登企業股份有限公司