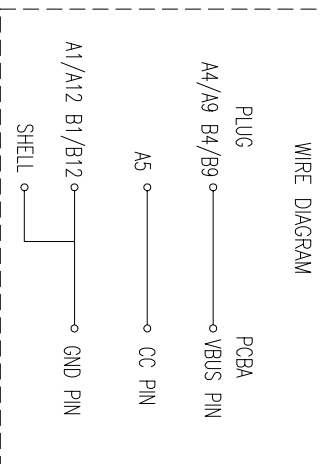
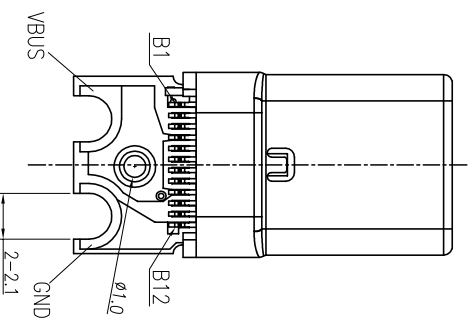
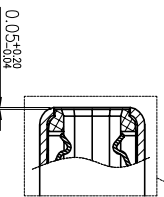
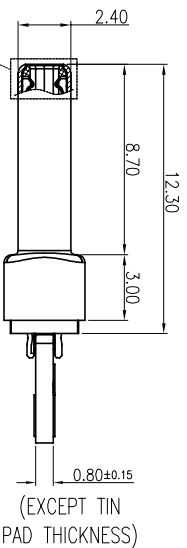
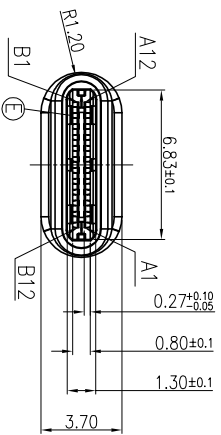
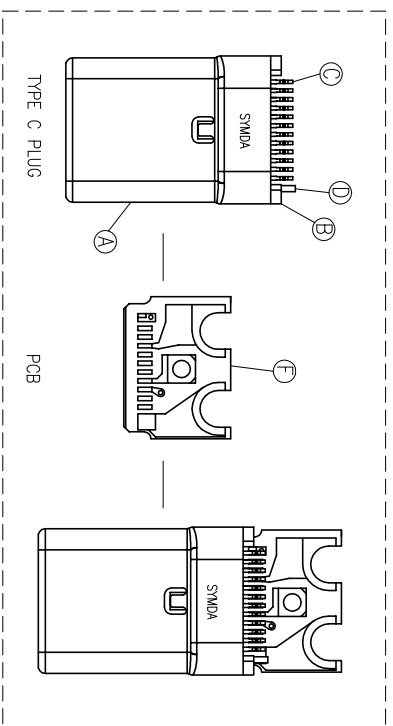
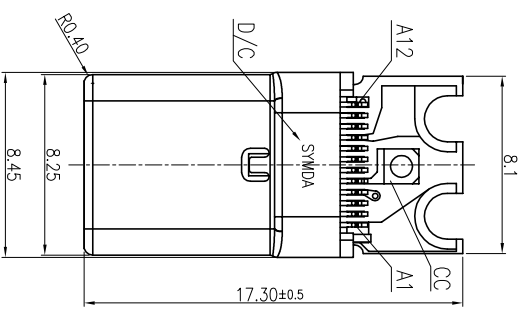


REV.	ECN NO OR DESCRIPTION	REVISED	DATE
A	PRODUCT RELEASE	WeiJie.Zeng	18.09.26



SPECIFICATIONS:

- 1. ELECTRICAL CHARACTERISTICS:**
- 1-1. RATING: 5A
 - 1-2. CONTACT RESISTANCE: 40mΩ MAX.(INITIAL),
 - 1-3. INSULATION RESISTANCE: 100 MEGAΩMS MIN. BY 100V DC.
 - 1-4. DIELECTRIC WITHSTANDING VOLTAGE: 100V AC FOR 1 MINUTE.
- 2. MECHANICAL CHARACTERISTICS:**
- 2-1. INSERTION FORCE: 5~20N
 - 2-2. WITHDRAWAL FORCE: 8N~20N(INITIAL); 6~20N(AFTER LIFE TEST)
- 3. LIFE TEST: 10,000 CYCLES .**
- 4. OTHER GENERAL SPEC. TO REFER "USB TYPE C PLUG WITH PCB TYPE".**
- 5. TO CONFORM TO SINGATRON HAZARDOUS SUBSTANCE FREE SPEC.**
- 6. HALOGEN FREE PRODUCT IDENTIFICATION MARK ON PRODUCT: ☉**
- 7. HALOGEN FREE PRODUCT IDENTIFICATION LABEL ON PACKAGING: ♻️**
- 8. THE BINDING FORCE MUST BE GREATER THAN 8KGF BETWEEN THE PLUG AND PCB.**
- 9. PACKAGING: TRAY.**

F	PCB	1	FR4	N/A
E	GROUND SPRING	2	STAINLESS STEEL	NICKEL PLATING
D	LATCH	1	STAINLESS STEEL	NICKEL PLATING
C	TERMINAL	24	COPPER ALLOY	NI 20*Pd-Ni 30μ" ON CONTACT AREA AND WATT. SN ON SOLDER AREA ALL OVER NICKEL PLATING
B	HOUSING	2	HIGH TEMP. THERMOPLASTIC UL 94V-0	BLACK
A	SHELL	1	STAINLESS STEEL	NICKEL PLATING
NO DESCRIPTION		QTY	MATERIAL	PLATING & COLOR
UNLESS OTHERWISE SPECIFIED TOLERANCES				
DECIMALS:		ANGLES:	TITLE	
X	:±0.5	X	:±2°	USB TYPE C PLUG
XX	:±0.3	XX	:±1°	
X:XX	:±0.2			
Singatron Enterprise Co., Ltd. 信登企業股份有限公司 Wujie-Zeng 18/10/24 DWN 18/10/24 CHKD 18/10/24 APVD jin-deng 18/10/24 PART NO. 2UP2Y01-CSP017F SCALE 5:1 UNIT: mm SHEET: 10F1 REV: A CUSTOMER COPY				