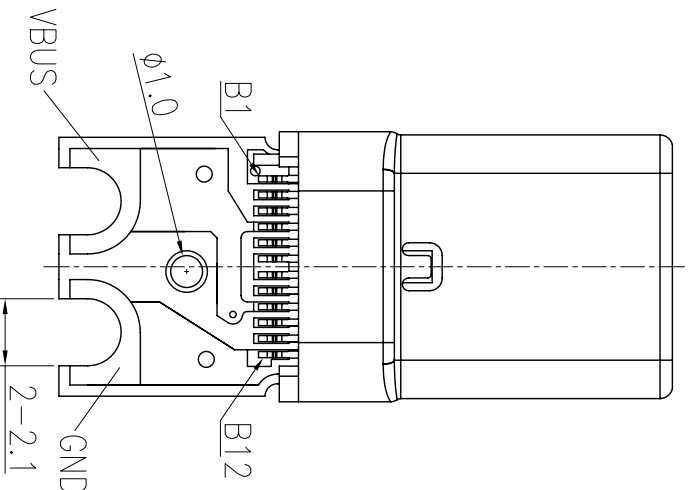
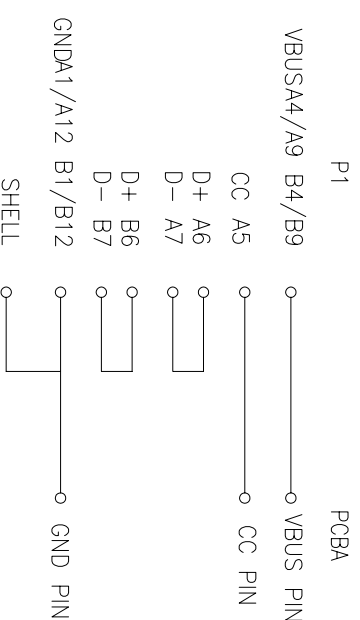


WIRE DIAGRAM



SPECIFICATIONS:

- ELECTRICAL CHARACTERISTICS:
 - RATING: 5A.
 - CONTACT RESISTANCE: 40mΩ MAX.(INITIAL).
 - INSULATION RESISTANCE: 100 MEGAOHMS MIN. BY 100V DC.
 - DIELECTRIC WITHSTANDING VOLTAGE: 100V AC FOR 1 MINUTE.
- MECHANICAL CHARACTERISTICS:
 - INSERTION FORCE: 5~20N
 - WITHDRAWAL FORCE: 8N~20N(INITIAL); 6~20N(AFTER LIFE TEST)
 - LIFE TEST: 10,000 CYCLES.
 - OTHER GENERAL SPEC. TO REFER "USB TYPE C PLUG WITH PCB TYPE".
 - TO CONFORM TO SINGATRON HAZARDOUS SUBSTANCE FREE SPEC.
 - HALOGEN FREE PRODUCT IDENTIFICATION MARK ON PRODUCT:
 - HALOGEN FREE PRODUCT IDENTIFICATION LABEL ON PACKAGING:

| REV. | ECN NO OR DESCRIPTION | REVISED | DATE |
|------|--------------------------------|-------------|------------|
| A | PRODUCT RELEASE | WZJ_Wei | 2017.02.20 |
| B | ECN NO.:C170058 UPDATE DRAWING | WeiJie-Zeng | 2017.07.15 |

| | | | | |
|---------------------------------------|-------------|-------------|----------------------|-----------------|
| B | PCB | 1 | FR4 | N/A |
| A | TYPE C PLUG | 1 | P/N: 2UP2Y01-C00110F | |
| NO | DESCRIPTION | QTY | MATERIAL | PLATING & COLOR |
| UNLESS OTHERWISE SPECIFIED TOLERANCES | | | | |
| DECIMALS: | | ANGLES: | | |
| X | :±0.5 | X | :±2° | |
| X.X | :±0.3 | X.X | :±1° | |
| X.XX | :±0.2 | | | |
| TITLE: USB C TYPE PLUG | | | | |
| DWN | 17/08/01 | weijie-Zeng | | |
| CHKD | 17/08/01 | Qicai-Hu | | |
| APVD | 17/08/01 | Zi-Zhou | | |
| PART NO. 2UP2Y01-CSP113F | | | | |
| SCALE 5:1 | | | | |
| UNIT: mm | | | | |
| SIZE: A3 | | | | |
| SHEET:1 OF 1 | | | | |
| REV: B | | | | |

Singatron Enterprise Co., Ltd.
信音企業股份有限公司

CUSTOMER COPY