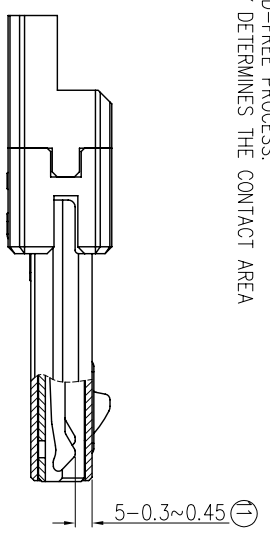
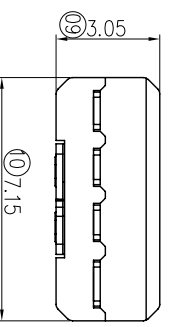
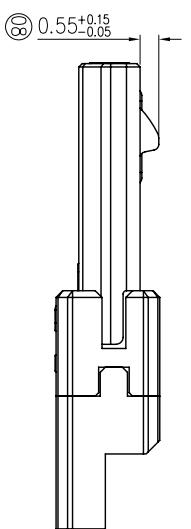
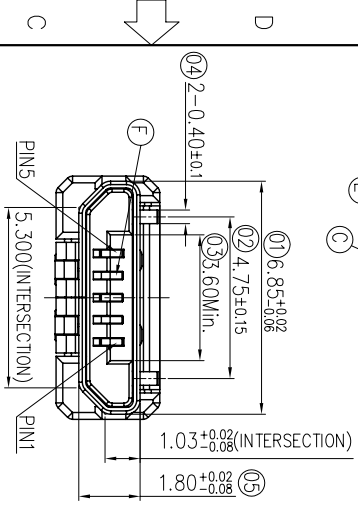
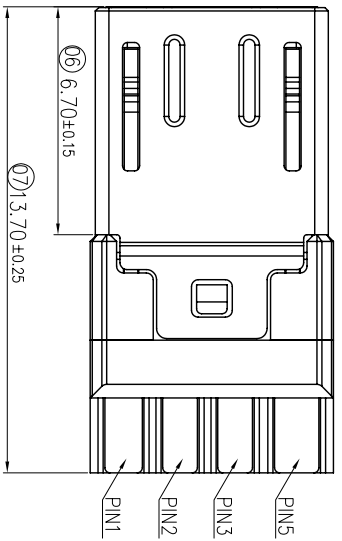
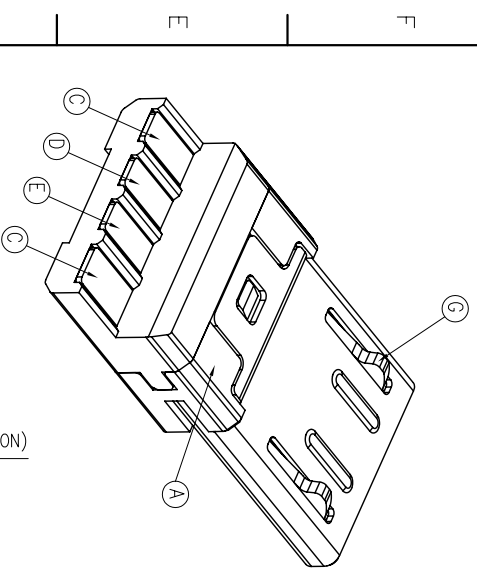
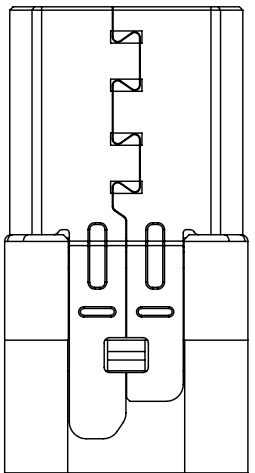
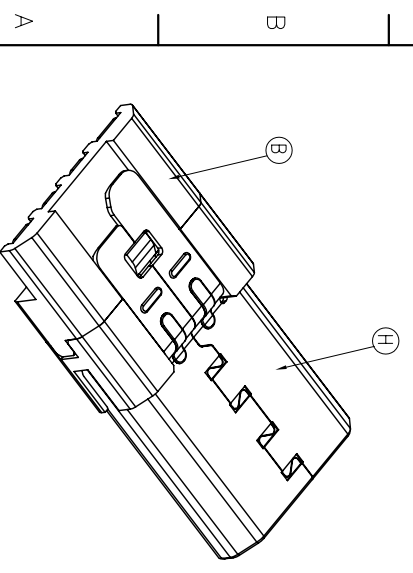


REV.	ECH NO OR DESCRIPTION	REVISED	DATE
A	PRODUCT RELEASE	WeiJie Zeng	2019.11.24



- SPECIFICATIONS:
1. ELECTRICAL CHARACTERISTICS:
- 1-1. CURRENT RATING: 1.8A (PIN1/5), 0.5A (PIN2/3/4)
 - 1-2. VOLTAGE RATING: 30 VDC.
 - 1-3. CONTACT RESISTANCE: 40mΩ(INITIAL), 50mΩ(AFTER LIFE TEST)
 - 1-4. DIELECTRIC WITHSTANDING VOLTAGE: 500 VAC FOR ONE MINUTE.
 - 1-5. INSULATION RESISTANCE: 1,000MΩ MIN. AT 500 VDC.
2. MECHANICAL CHARACTERISTICS:
- 2-1. INSERTION FORCE: 8~20N (12.50mm/ONE MINUTE.)
 - 2-2. WITHDRAWAL FORCE: 8~20N (12.50mm/ONE MINUTE.)
 - 2-3. LIFE TEST: 10,000 CYCLES. (MATING SPEED SHOULD BE BELOW 200 CYCLES PER HOUR.)
3. ENVIRONMENTAL CHARACTERISTICS:
- 3-1. OPERATING TEMPERATURE: -30~+85°C
 - 3-2. TO CONFORM TO SINGATRON HAZARDOUS SUBSTANCE FREE SPEC.
 - 3-3. HALOGEN FREE PRODUCT IDENTIFICATION MARK:
 - 3-4. HALOGEN FREE PRODUCT IDENTIFICATION LABEL ON PACKAGING:
- 4. FOR REFLOW SOLDERING LEAD-FREE PROCESS.
 - 5. THE SALT SPARY TEST ONLY DETERMINES THE CONTACT AREA
 - 6. FAI NO. MARK:
 - 7. PACKAGING: BAG.



NO.	DESCRIPTION	QTY.	MATERIAL	PLATING & COLOR
A	HOUSING	1	PA66	BLACK
B	STOPPER	1	LCP	BLACK
C	TERMINAL-A	2	PHOSPHOR BRONZE T=0.20mm(PIN1&5)	Au 30" ON CONTACT AREA
D	TERMINAL-B	1	PHOSPHOR BRONZE T=0.20mm(PIN2)	Au 30" ON CONTACT AREA
E	TERMINAL-C	1	PHOSPHOR BRONZE T=0.20mm(PIN3)	Au 30" ON CONTACT AREA
F	TERMINAL-D	1	PHOSPHOR BRONZE T=0.20mm(PIN4)	Au 30" ON CONTACT AREA
G	LATCH	2	STAINLESS STEEL T=0.40mm	
H	SHELL	1	SUS304-1/2H T=0.20mm	PLATING NI

UNLESS OTHERWISE SPECIFIED TOLERANCES

Singatron Enterprise Co., Ltd.
信音企業股份有限公司

TITLE: MICRO USB TYPE B PLUG

DECIMALS: ANGLES: ± 0.50 X $\pm 2^\circ$

X.X : ± 0.30 X.X : $\pm 1^\circ$

X.XX : ± 0.20

X.XXX : ± 0.10

DWN	WeiJie-Zeng	PART NO.: ZUP2Y06-B00111F	
CHKD	bi-cal-Hu	SCALE 5:1	UNIT: mm
APVD	Jim-deng	SIZE: A3	SHEET: 1 OF 1
REV: A			
CUSTOMER COPY			