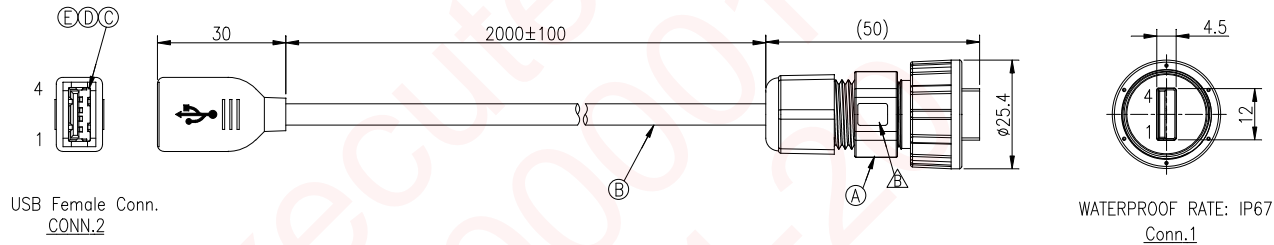
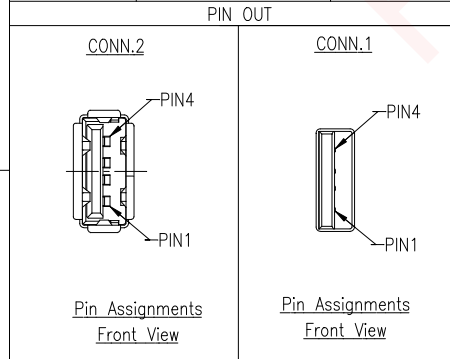


REV.	ECN NO OR DESCRIPTION	REVISED	DATE
A	PDR NO.:T090601-4A	Steve	2009.07.31
B	ECN NO.:S141261	LIN	2015.04.07



SHIELD	DRAIN	SHIELD
4	BLACK(24AWG)	4
3	GREEN(28AWG)	3
2	WHITE (28AWG)	2
1	RED (24AWG)	1
CONN.2	WIRE COLOR	CONN.1

Twist



NOTES:

1. WATERPROOF RATE: IP67
IP67: IMMERSED IN 1M WATER FOR 30 MINUTES
2. RATING: 30V 1A
3. SPECIFICATIONS:SEE "USB SERIES SPECIFICATIONS".
4. TO CONFORM TO SINGATRON HAZARDOUS SUBSTANCE FREE SPEC.
5. GREEN PRODUCT IDENTIFICATION LABEL ON PACKAGING:

E	OVER MOLD	1	PVC	BLACK
D	INNER MOLD	1	LD-PE	NATURAL
C	USB JACK	1	USB2.0 FEMALE CONN	N/A
B	CABLE	1	USB2.0 28#*1P+24#*2C+ADB,UV Resistant	BLACK PVC JACKET
A	USB PLUG	1	P/N:2UP3000-W05100	BLACK
NO	DESCRIPTION	QTY	MATERIAL	PLATING & COLOR

UNLESS OTHERWISE SPECIFIED TOLERANCES

DECIMALS:	ANGLES:	TITLE	WATERPROOF USB PLUG TO USB JACK		
X :±0.5	X :±2°	DWN	LIN	PART NO.2UP3000-W05101	
X.X :±0.3	X.X :±1°	CHKD	Yang	SCALE 1:1	UNIT: mm
X.XX :±0.2		APVD	Harlen	SIZE: A3	SHEET:1 OF 1

CUSTOMER COPY