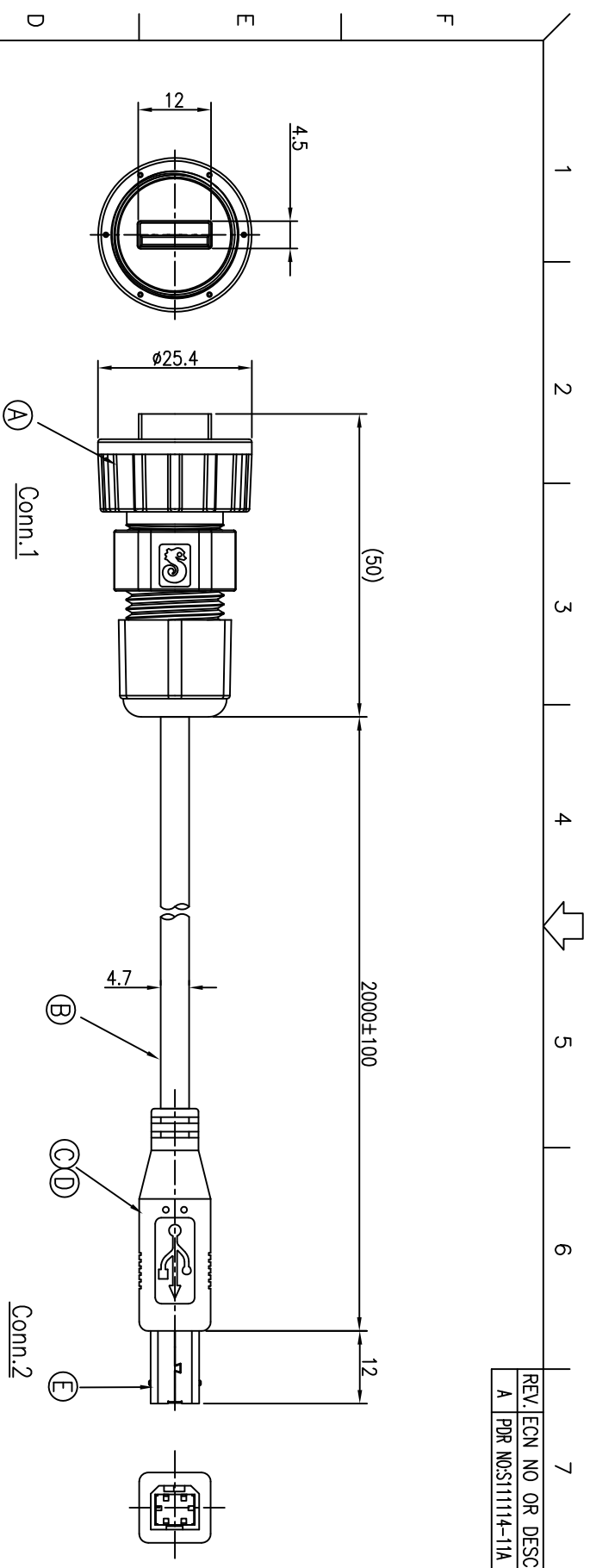
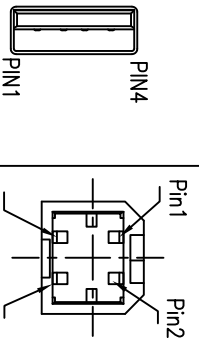


REV.	ECN NO OR DESCRIPTION	REVISED	DATE
A	PDR NO:S11114-11A	Horlen	2011.12.9



SHIELD	DRAIN	SHIELD
4	BLACK(24AWG)	4
3	GREEN(28AWG)	3
2	WHITE (28AWG)	2
1	RED (24AWG)	1
CONN.1		CONN.2
WIRE COLOR		

PIN OUT



Pin Assignments  
Front View

NOTES:

1. WATERPROOF RATE: IP67  
IP67: IMMERSED IN 1M WATER FOR 30 MINUTES
2. RATING: 30V 1A
3. SPECIFICATIONS:SEE "USB SERIES SPECIFICATIONS".
4. TO CONFORM TO SINGATRON HAZARDOUS SUBSTANCE FREE SPEC.
5. GREEN PRODUCT IDENTIFICATION LABEL ON PACKAGING:

NO	DESCRIPTION	QTY	MATERIAL	PLATING & COLOR
E	USB B PLUG	1	USB B TYPE MALE	N/A
D	TUBE	1	Ø1.0(125*.300V)	BLACK
C	OVER MOLD	1	PVC	BLACK
B	CABLE	1	USB2.0 28#*1P+24#*2C+ADB,UV Resistant	BLACK (PVC JACKET)
A	USB PLUG	1	P/N:2UP3000-W05100	BLACK

UNLESS OTHERWISE SPECIFIED TOLERANCES

DECIMALS:	ANGLES:
X :±0.5	X :±2°
X.X :±0.3	X.X :±1°
X.XX :±0.2	

TITLE	WATERPROOF USB A PLUG TO USB B PLUG
DWN	Horlen
CHKD	Steve
APVD	Tony
PART NO.	2UP3000-W05114H
SCALE	1:1
UNIT:	mm
SIZE:	A3
SHEET:	1 OF 1
REV:	A

CUSTOMER COPY

Singatron Enterprise Co., Ltd.  
信音企业股份有限公司