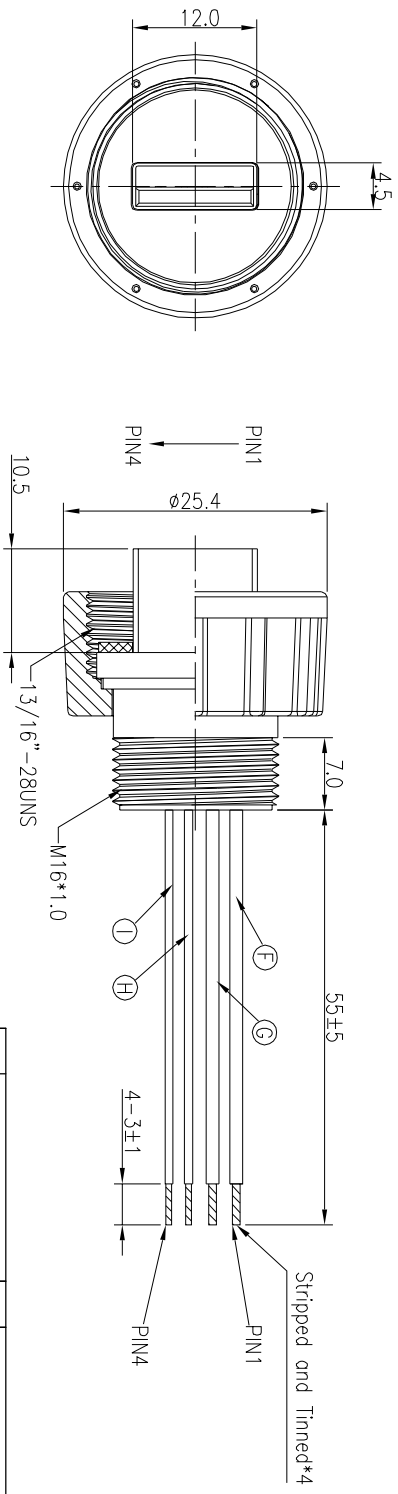
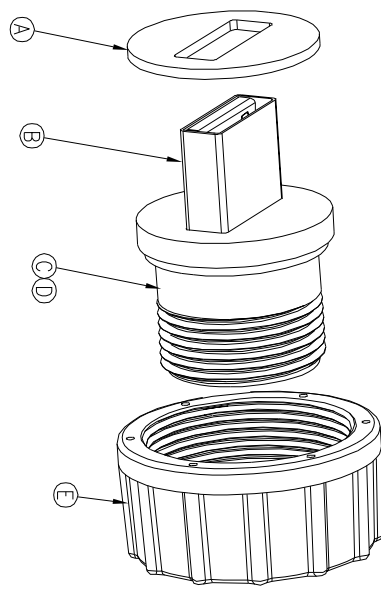
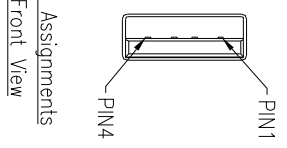


REV.	ECN NO.	OR DESCRIPTION	REVISED	DATE
A	PDR NO.421025-1A		Erod	2023.07.20



4	WHITE (28AWG)
3	GREEN(28AWG)
2	BLACK(24AWG)
1	RED (24AWG)
PIN	WIRE COLOR
PIN DEFINE	

- NOTES:
1. WATERPROOF DEGREE OF PROTECTION: IP67(WHEN PROPERLY MATED)
 2. RATING:30V 1A
 3. TO CONFORM TO SINGATRON HAZARDOUS SUBSTANCE FREE SPEC.
 4. GREEN PRODUCT IDENTIFICATION LABEL ON PACKAGING:
 5. TEMPERATURE RANGE: -20~80 ℃
 6. TIGHTENING TORQUES: 0.8~1.0Nm(7.08~8.85lbf.in.).
 7. SCREW NUT 无需组合作附件随包装出货.



Pin Assignments
Front View

1	WIRE	UL1007 28AWG	WHITE
H	WIRE	UL1007 28AWG	GREEN
G	WIRE	UL1007 24AWG	BLACK
F	WIRE	UL1007 24AWG	RED
E	SCREW NUT	PC UL94V-0	BLACK
D	BODY	PPE 540Z UL94V-0	BLACK
C	LIQUID GLUE	JA940-4	BLACK
B	USB A PLUG	USB 2.0 UL94V-0	N/A
A	GASKET	SILICONE	BLACK
NO	DESCRIPTION	MATERIAL	PLATING & COLOR
UNLESS OTHERWISE SPECIFIED TOLERANCES			
 Suzhou Singatron Auto Electronics CO.,LTD. 苏州新格汽车电子有限公司			
TITLE WATERPROOF USB2.0 A PLUG			
DWN	Erod	PART NO.2UP3000-W05126H	
CHKD	Jun	SCALE 2:1	UNIT: mm
APVD	Steve	SIZE: A3	SHEET: 1 OF 1 REV: A
CUSTOMER COPY			