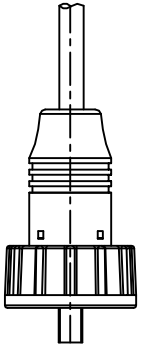
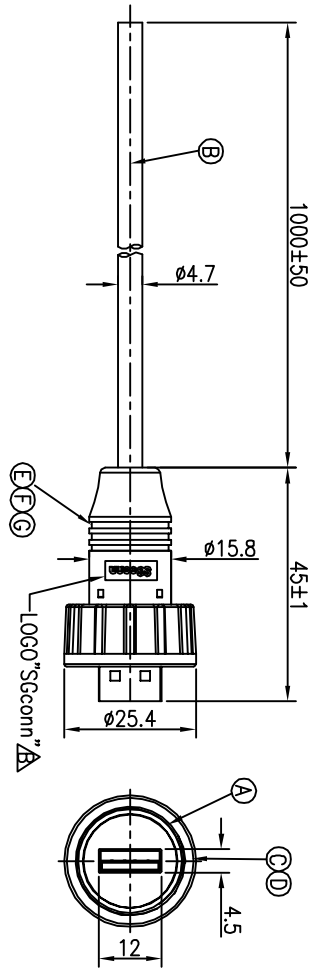
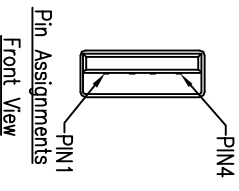


REV.	ECN NO.	OR DESCRIPTION	REVISED	DATE
A	PDR NO.:T140227-2A		Weky	2014.02.27
B	ECN NO.:S151220-R		Blues	2015.12.10
C	ECN NO.:S202211-R10		JAY	2022.11.22



DRAIN	SHIELD
BLACK	4
GREEN	3
WHITE	2
RED	1
WIRE COLOR	CONN.
PIN OUT	



- NOTES:
- ELECTRICAL CHARACTERISTICS:
 1-1 CURRENT RATING: 1.0 AMPS.
 1-2 CONTACT RESISTANCE: 3 Ohm Max.
 1-3 INSULATION RESISTANCE: 30 Mohm Min. at 300VDC.
 1-4 BREAKDOWN VOLTAGE: 300 VAC PER MINUTE.
 - ENVIRONMENTAL:
 2-1 OPERATING TEMPERATURE: -20°C TO +80°C.
 2-2 SEALING REQUIREMENTS: IP67.
 - OTHER GENERAL SPEC. TO REFER "USB WPC SPEC."
 - FOR TECHNICAL DATA REFER TO YOUR LOCAL SINGATRON ELECTRONICS SALES OFFICE.
 - ALL DIMENSIONS ARE NOMINAL FOR REFERENCE ONLY UNLESS OTHERWISE STATED.
 - TO CONFORM TO SINGATRON HAZARDOUS SUBSTANCE FREE SPEC.
 - GREEN PRODUCT IDENTIFICATION LABEL ON PACKAGING: **GREEN PASS**



G	TUBE	1	Ø1.0(125,300V)	BLACK
F	INNER MOLD	1	TPU	NATURAL
E	OVER MOLD	1	TPU	BLACK
D	GASKET	1	Silicone	BLACK
C	SCREW NUT	1	PC	BLACK
B	CABLE	1	USB2.0 28#*1P+24#*2C+ADB,UV Resistant	BLACK
A	USB PLUG	1	USB 2.0 PLUG	N/A
NO	DESCRIPTION	QTY	MATERIAL	PLATING & COLOR
UNLESS OTHERWISE SPECIFIED TOLERANCES				
TITLE: USB 2.0 PLUG WITH CABLE				
DWN	JAY	PART NO.2UP3002-W05100H	SCALE 1:1	UNIT: mm
CHKD	MF	SIZE: A3	SHEET: 1 OF 1	REV: C
APVD	JF	CUSTOMER COPY		

1 2 3 4 5 6 7 8