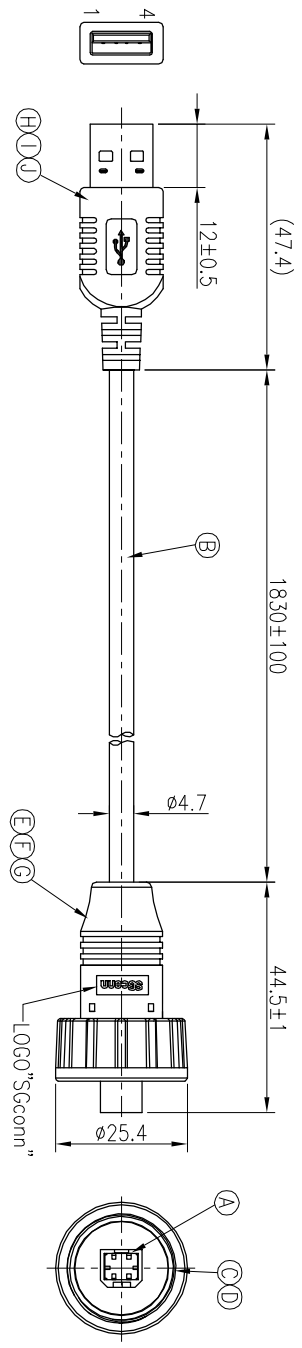


REV.	ECN NO.	OR DESCRIPTION	REVISED	DATE
A	PDR NO.:	T191003-3A	JF	2020.05.07

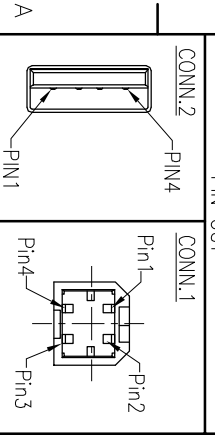


USB A PLUG
CONN.2

USB B PLUG
CONN.1

SHIELD	DRAIN	SHIELD
4	BLACK(24AWG)	4
3	GREEN(28AWG)	3
2	WHITE (28AWG)	2
1	RED (24AWG)	1

CONN.2	WIRE COLOR	CONN.1
PIN OUT		



Pin Assignments
Front View

NOTES:

1. WATERPROOF RATE: IP67
2. RATING: 30V 1A
3. SPECIFICATIONS:SEE "USB SERIES SPECIFICATIONS".
4. TO CONFORM TO SINGATRON HAZARDOUS SUBSTANCE FREE SPEC.
5. GREEN PRODUCT IDENTIFICATION LABEL ON PACKAGING: **RoHS**
6. FOR PANEL THICKNESS MAX:3.5mm

J	USB A TYPE PLUG	1	USB2.0 PLUG	N/A
I	OVER MOLD	1	PVC	BLACK
H	INNER MOLD	1	PC	NATURAL
G	TUBE	1	Ø1.0(125,300V)	BLACK
F	INNER MOLD	1	TPU	NATURAL
E	OVER MOLD	1	TPU	BLACK
D	GASKET	1	EPDM	BLACK
C	SCREW NUT	1	PC	BLACK
B	CABLE	1	USB2.0 28#*1P+24#*2C+ADB,UV Resistant	BLACK
A	USB B TYPE PLUG	1	USB2.0 PLUG	N/A
NO	DESCRIPTION	QTY	MATERIAL	PLATING & COLOR

UNLESS OTHERWISE SPECIFIED TOLERANCES

DECIMALS: ANGLES:

X :±0.5 X :±2°
X.X :±0.3 X.X :±1°
X.XX :±0.2

Singatron Enterprise Co., Ltd.
信登企業股份有限公司

TITLE: USB 2.0 B TYPE PLUG 10

DWN: JF PART NO.:ZUP3004-W05102H

CHKD: Cerry SCALE: 1:1 UNIT: mm

APVD: William SIZE: A3 SHEET: 1 OF 1 REV: A

CUSTOMER COPY