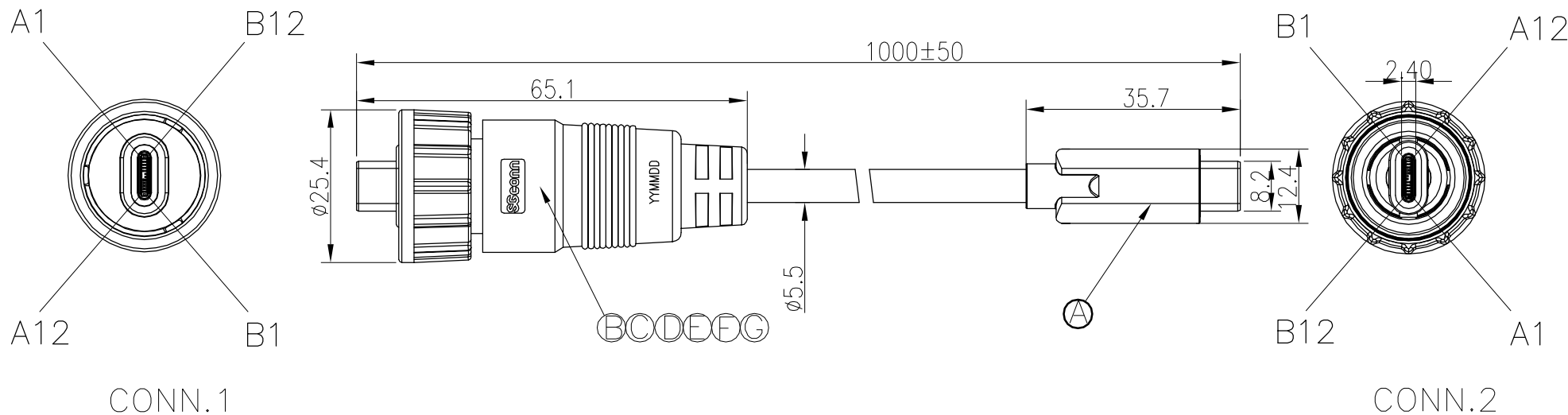


REV.	ECN NO OR DESCRIPTION	REVISED	DATE
A	PDR NO.:T191220-2B	JAY	2023.02.13



NOTES:

1. WATERPROOF RATE: IP67(WHEN PROPERLY MATED)  
IP67: IMMERSED IN 1M WATER FOR 1H
2. RATING:20V 5A
3. TO CONFORM TO SINGATRON HAZARDOUS SUBSTANCE FREE SPEC.
4. GREEN PRODUCT IDENTIFICATION LABEL ON PACKAGING: **G.P. PASS**
5. LASE DATE CODE "YYMMDD" ON TOP OF CONN.

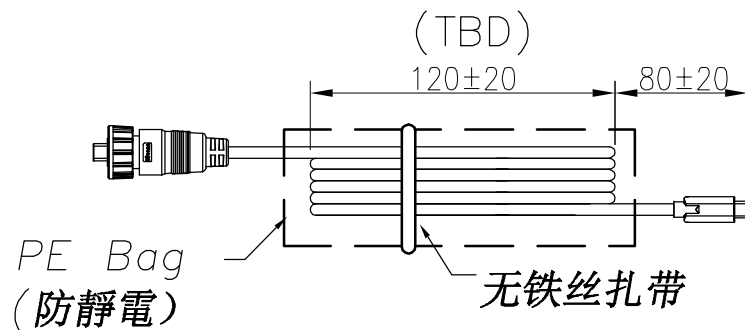
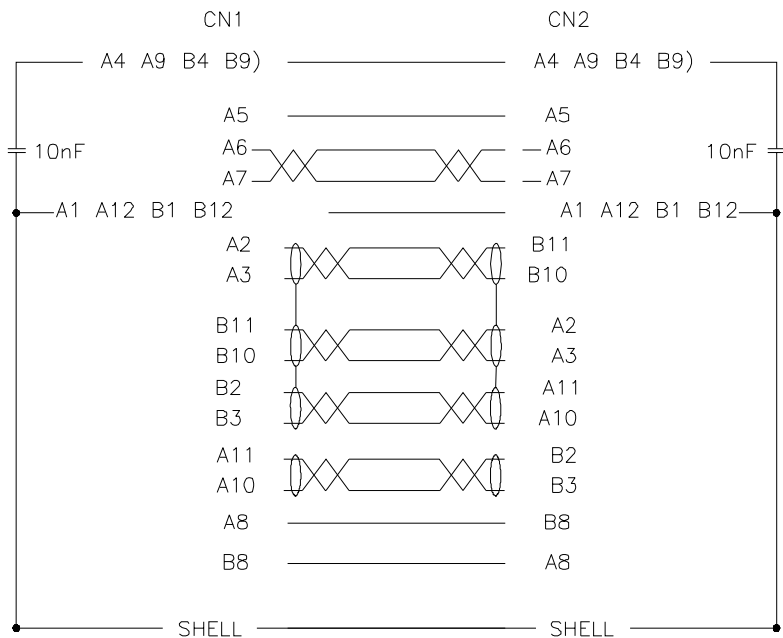
DATE CODE: YYMMDD  
 DAY  
 MONTH  
 YEAR

<b>G</b>	HOUSING	1	PA66	BLACK
<b>F</b>	OVER MOLD	1	PVC	BLACK
<b>E</b>	INNER MOLD	1	TPU	NATURAL
<b>D</b>	SCREW NUT	1	PC	BLACK
<b>C</b>	O-RING	1	Silicone	RED
<b>B</b>	<b>GULE</b>	1	JA723	BLACK
<b>A</b>	<b>TYPE-C PLUG+CABLE</b>	1	N/A	BLACK

NO	DESCRIPTION	QTY	MATERIAL	PLATING & COLOR
UNLESS OTHERWISE SPECIFIED TOLERANCES		Suzhou Singatron Auto Electronics CO.,LTD. 蘇州信音汽車電子有限公司		
DECIMALS:		TITLE		
X	:±0.5	X	USB 2.0 TYPE C CABLE WITH SCREW TYPE	
X.X	:±0.3	X.X	DWN JAY PART NO.2UP3040-W24300H	
X.XX	:±0.2	X.XX	CHKD JF SCALE 1:1 UNIT: mm	
		APVD	Steve	SIZE: A3 SHEET:1 OF 2 REV: A
CUSTOMER COPY				

REV.	ECN NO OR DESCRIPTION	REVISED	DATE
A	PDR NO.:T191220-2B	JAY	2023.02.13

### CONNECTOR PIN OUT 接線圖



UNLESS OTHERWISE SPECIFIED TOLERANCES		Suzhou Singatron Auto Electronics CO.,LTD. 蘇州信音汽車電子有限公司		
DECIMALS:	ANGLES:	TITLE	USB 2.0 TYPE C CABLE WITH SCREW TYPE	
X :±0.5	X :±2°	DWN	JAY	PART NO.2UP3040-W24300H
X.X :±0.3	X.X :±1'	CHKD	JF	SCALE 1:1 UNIT: mm
X.XX :±0.2		APVD	Steve	SIZE: A3 SHEET:2 OF 2 REV: A
CUSTOMER COPY				