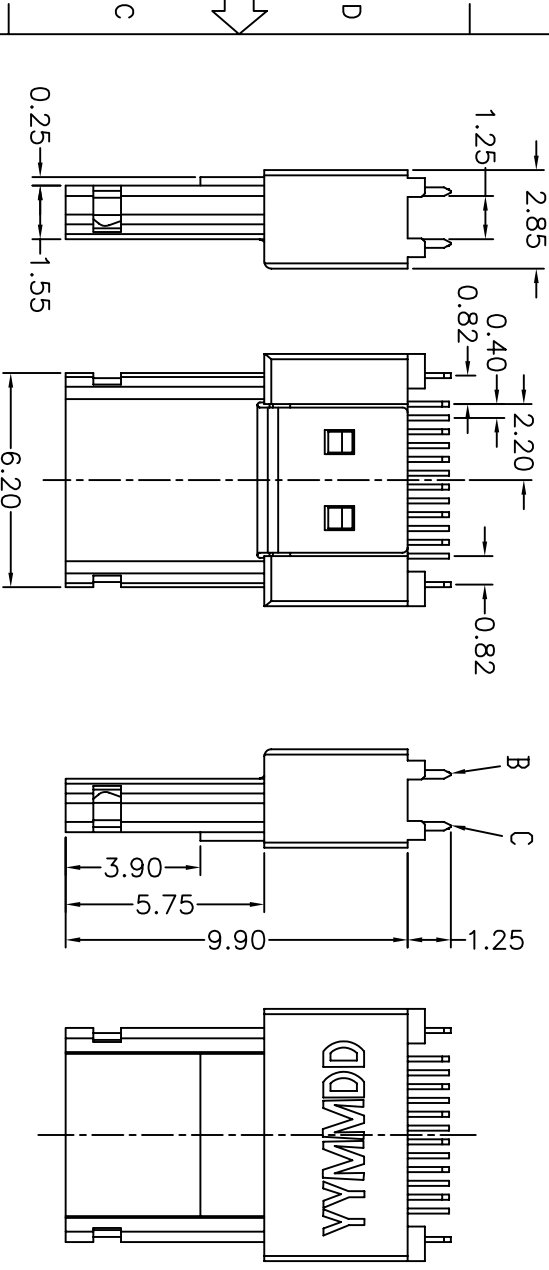
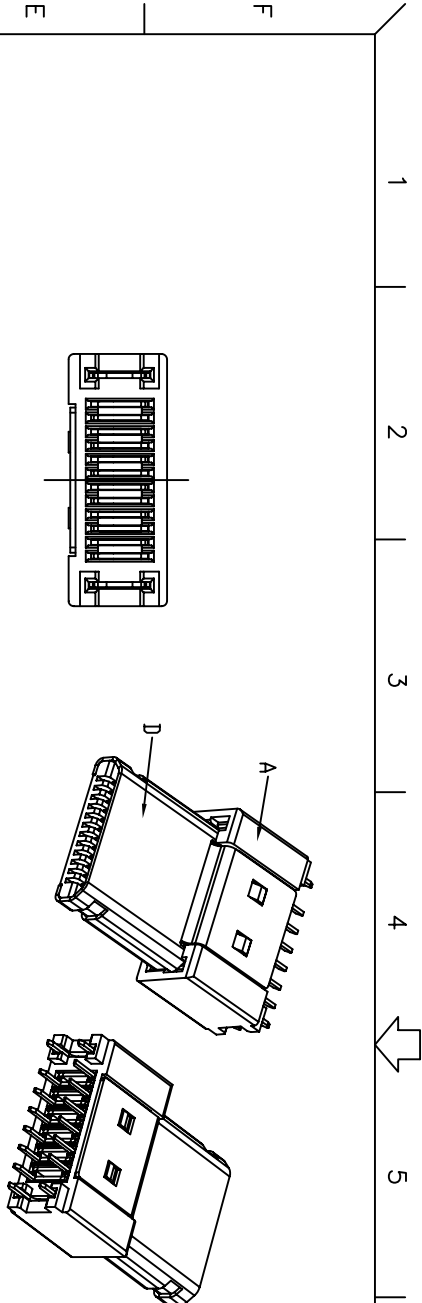
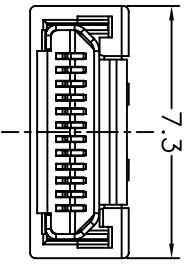




REV.	ECN NO.	OR DESCRIPTION	REVISED	DATE
A	NEW RELEASE		GINO	2007.03.14
B	ECN NO.1080204		LILL	2008.12.29



- NOTES:
- 1.TO CONFORM TO SINGATRON HAZARDOUS SUBSTANCE FREE SPEC.
 - 2.HALOGEN FREE PRODUCT IDENTIFICATION LOGO ON PACKING: 
 - 3.PRINTED DATE CODE YYMMDD



D	SHELL	1	STAINLESS STEEL	SOLDERABILITY NI
C	LOWER TERMINAL	6	COPPY ALLOY	AU PLATING
B	UPPER TERMINAL	6	COPPY ALLOY	AU PLATING
A	BODY	1	THERMOPLASTIC UL94V-0	BLACK
NO	DESCRIPTION	QTY	MATERIAL	PLATING & COLOR
UNLESS OTHERWISE SPECIFIED TOLERANCES				
 Singatron Enterprise Co., Ltd. 信亨企業股份有限公司				
DECIMALS: ANGLES:				
X	:±0.50	X	:±2°	
X.X	:±0.30	X.X	:±1°	
X.XX	:±0.20			
TITLE MM1 12PIN 0.4 PITCH CONNECTOR PLUG				
DWN	WJ 2008.12.29	PART NO.	2UP9212-400112	
CHKD	Lusson 2008.12.28	SCALE:N/A	UNIT: mm	
APVD	Wc 2008.12.29	SIZE: A3	SHEET: 1 OF 1	REV: B

CUSTOMER COPY