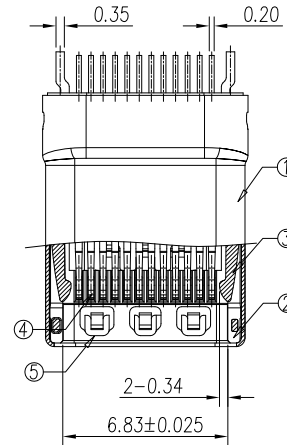
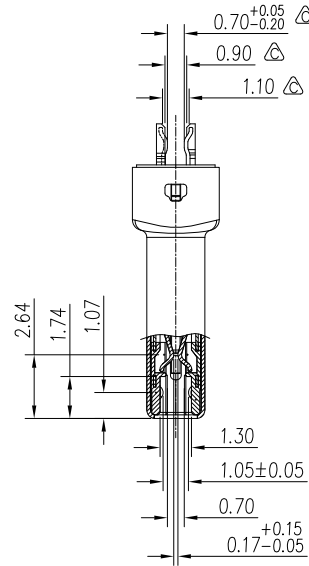
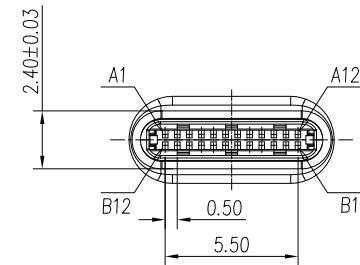
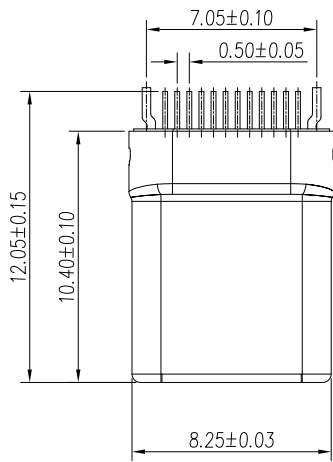
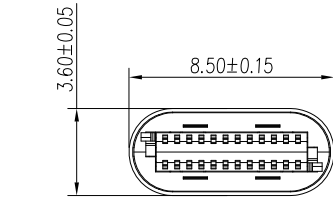


RoHS Compliant

| | | | | | | | | | | | |
|-----|------|------|------|-------|----|----|------|------|------|------|-----|
| A12 | A11 | A10 | A9 | A8 | A7 | A6 | A5 | A4 | A3 | A2 | A1 |
| GND | RX2+ | RX2- | VBUS | SBU1 | D- | D+ | CC | VBUS | TX1- | TX1+ | GND |
| GND | TX2+ | TX2- | VBUS | Vconn | | | SBU2 | VBUS | RX1- | RX1+ | GND |
| B1 | B2 | B3 | B4 | B5 | B6 | B7 | B8 | B9 | B10 | B11 | B12 |



| 料号 | 外壳电镀 | 端子材质 |
|--------------------|------|---------|
| 2UP41-00231-XXX-XX | 普通镍 | 高导电 过5A |
| 2UP41-00285-XXX-XX | 亮镍 | 磷铜 过3A |

Specification:

- Electrical Characteristics:
 - Contact Current Rating: 3 Amperes Max.
 - Rated Voltage: 30V Max.
 - Dielectric Withstanding Voltage: AC 100V r.m.s.
 - Insulation Resistance: 100 MΩ Minimum.
 - Contact Resistance: 40 mΩ Maximum.
- Environmental:
 - Operating Temperature: -30°C~+85°C.
- Mechanical Characteristics:
 - Insertion Force: 5~20Nf.
 - Withdrawal Force: 8~20Nf.
 - Durability Cycles: 10000 Cycles.

2UP41-002XX-XXX-XX

| | |
|-----------------|------------------------|
| SERIES CODE | 1: TRAY PACKAGING |
| FEMALE | 2: TAPE REEL PACKAGE |
| Mould FLOW NO. | 1:RoHS 2:HALOGEN FREE |
| FLOW NO. | PLATING: |
| MATERIAL: A:LCP | 1:G/F 4:Gold 10u" |
| | 2:Gold 3u" 5:Gold 15u" |
| | 3:Gold 5u" 6:Gold 30u" |
| | COLOR: 5:BLACK |

| | | |
|-----|------------|------------------------------------|
| 5 | EMC SPRING | Stainless Steel; SUS304, T=0.10mm; |
| 4 | CONTACT | Copper Alloy; AuNiSn; |
| 3 | LATCH | Stainless Steel; SUS304, T=0.35mm; |
| 2 | HOUSING | LCP Thermoplastic, UL94V-0; |
| 1 | SHELL | Stainless Steel; SUS316, T=0.15mm; |
| NO. | NAME | DESCRIPTION |

Singatron Enterprise Co., Ltd.

| | | | | | |
|---------|-----|----------|-------------|---------|----------|
| — | D | 19.05.15 | 增加端子材质 | XW.Y | Kim |
| — | C | 19.04.19 | 修改尺寸公差 | XW.Y | Kim |
| — | B | 19.04.04 | 新增规格 | XW.Y | Kim |
| ECN. NO | REV | DATE | DESCRIPTION | CHANGED | APPROVED |

| TOLERANCES UNLESS | |
|-------------------|--------------|
| X. ± 0.50 | X° ± 3' |
| .X ± 0.30 | .X° ± 2' |
| .XX ± 0.20 | .XX° ± 1' |
| .XXX ± 0.10 | .XXX° ± 0.5' |

| | | | | |
|-------|--|----------|--------------------|----------|
| TITLE | USB Type C 24Pin Male 夹板式 不带PCB板 (拉伸壳) | | | |
| DWN | XW.Y | PART NO. | 2UP41-002XX-XXX-XX | |
| CHKD | 2015.04.19 | SCALE | 1:1 | UNIT: mm |
| APVD | | SIZE: A3 | SHEET: 1 OF 1 | REV: D |

CUSTOMER COPY