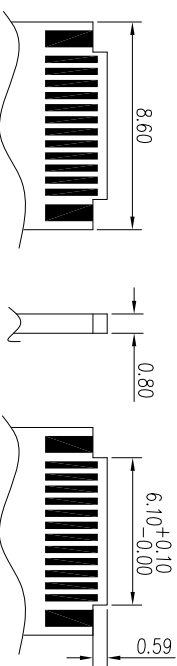
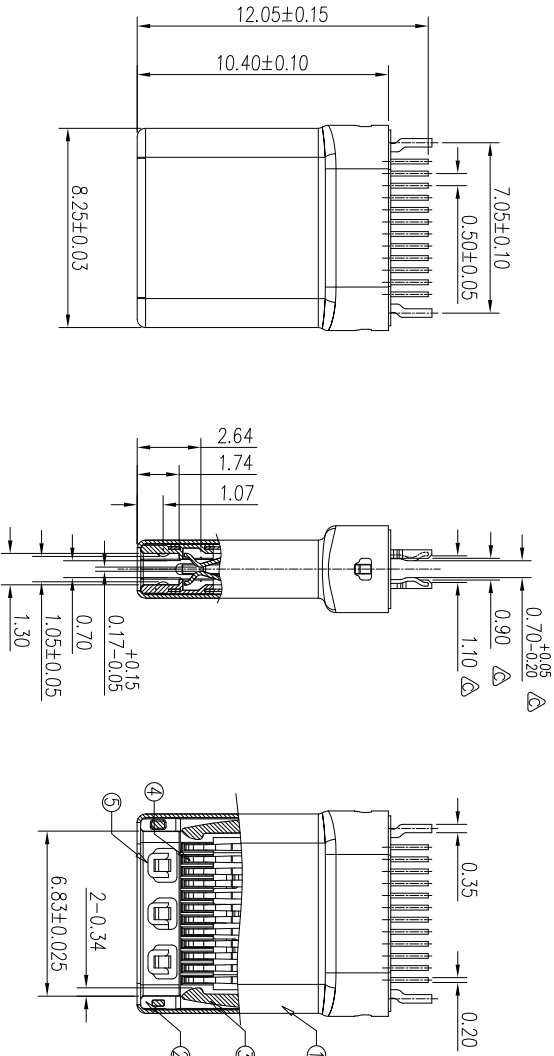
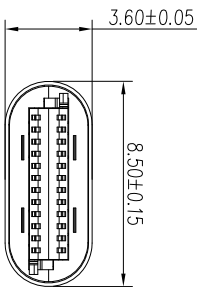


RoHS Compliant

A12	A11	A10	A9	A8	A7	A6	A5	A4	A3	A2	A1
GND	RX2+	RX2-	VBUS	SBU1	D-	D+	CC	VBUS	TX1-	TX1+	GND
GND	TX2+	TX2-	VBUS	Vconn	SBU2	SBU2	VBUS	RX1-	RX1+	GND	GND
B1	B2	B3	B4	B5	B6	B7	B8	B9	B10	B11	B12



RECOMMENDED PCB LAYOUT

Specification:

- Electrical Characteristics:
 - Contact Current Rating: 3 Amperes Max.
 - Rated Voltage: 30V Max.
 - Dielectric Withstanding Voltage: AC 100V r.m.s.
 - Insulation Resistance: 100 MΩ Minimum.
 - Contact Resistance: 40 mΩ Maximum.
- Environmental:
 - Operating Temperature: -30°C~+85°C.
- Mechanical Characteristics:
 - Insertion Force: 5~20Nf.
 - Withdrawal Force: 8~20Nf.
 - Durability Cycles: 10000 Cycles.

Part Number	SHELL PLATING	CONTACT MATERIAL
2UP641-00231-XXX-XX	NICKEL (普通鍍)	C7025 (5A)
2UP641-00285-XXX-XX	Bright nickel (亮鍍)	G5191 (3A)

5	EMC SPRING	Stainless Steel; SUS304, T=0.10mm;
4	CONTACT	Copper Alloy; Au15Ni;
3	LATCH	Stainless Steel; SUS304, T=0.35mm;
2	HOUSING	LCP Thermoplastic, UL94V-0;
1	SHELL	Stainless Steel; SUS316, T=0.15mm;
NO.	NAME	DESCRIPTION

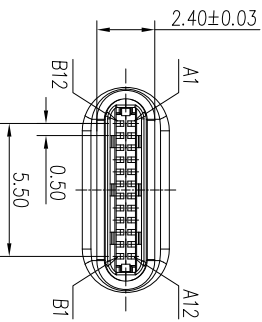
Singatron Enterprise Co., Ltd.

REV	DATE	DESCRIPTION	CHANGED	APPROVED
D	19.05.15	增加端子材质	XW.Y	Ktm
C	19.04.19	修改尺寸公差	XW.Y	Ktm
B	19.04.04	新增规格	XW.Y	Ktm
ECN NO.	REV	DATE	DESCRIPTION	CHANGED

2UP641-002XX-XXX-XX

SERIES CODE
FEMALE
Mould FLOW NO.
FLOW NO.
MATERIAL: A-LCP
COLOR: 5-BLACK

1: TRAY PACKAGING
2: TAPE REEL PACKAGE
1:RoHS 2:HALOGEN FREE
PLATING:
1:G/F
2:Gold 3u"
3:Gold 5u"
4:Gold 10u"
5:Gold 15u"
6:Gold 30u"



REV	DATE	DESCRIPTION	CHANGED	APPROVED
D	19.05.15	增加端子材质	XW.Y	Ktm
C	19.04.19	修改尺寸公差	XW.Y	Ktm
B	19.04.04	新增规格	XW.Y	Ktm
ECN NO.	REV	DATE	DESCRIPTION	CHANGED

A

1

2

3

4

5

6

7

8

文件编号: 06-045-4