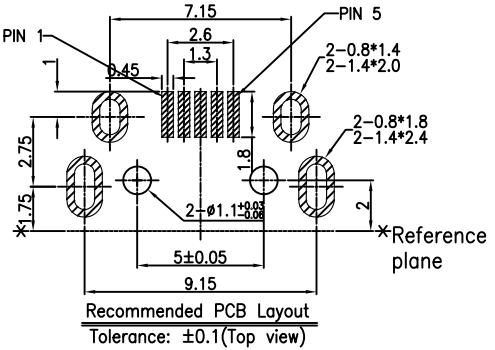
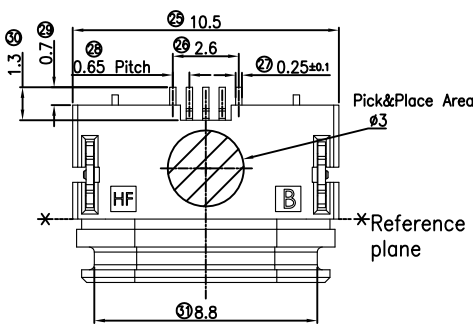
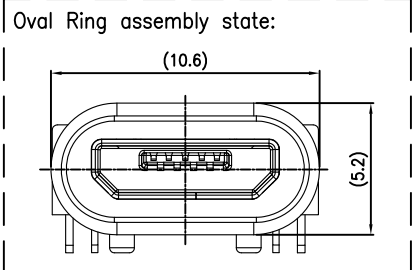
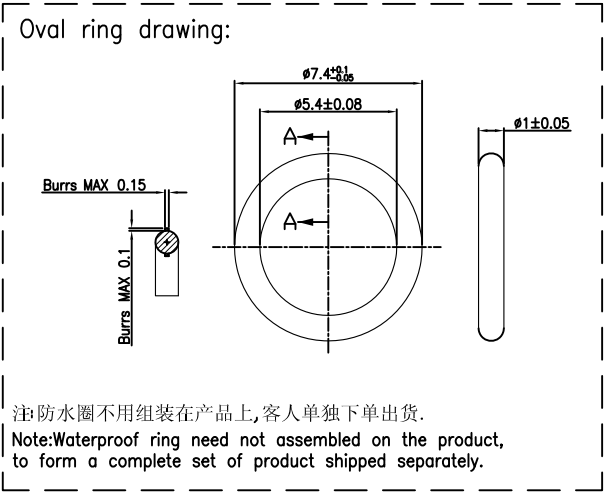
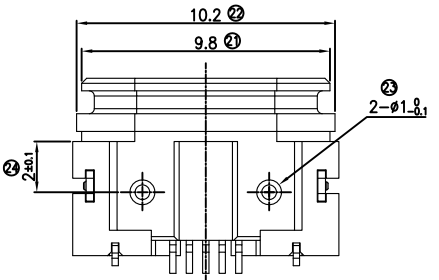
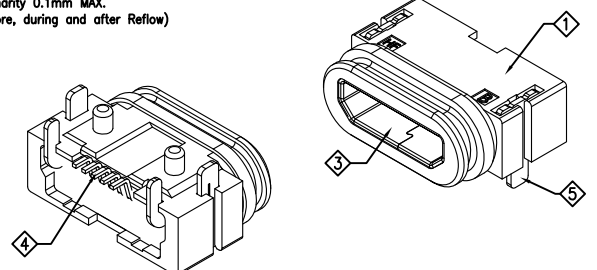
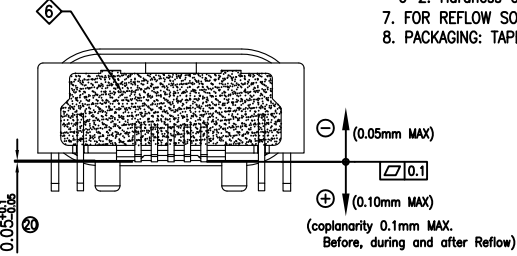
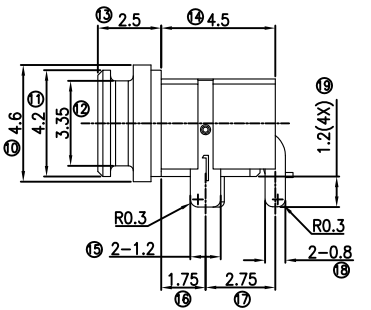
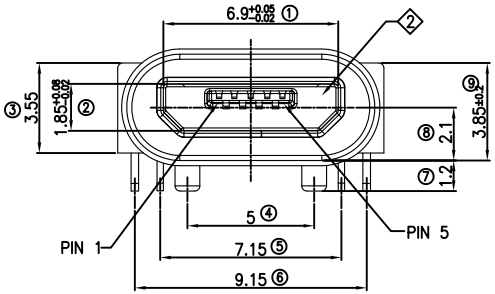


RoHS Complied HALOGEN FREE

REVISIONS				
LTR	DESCRIPTION	DATE	REVISED	APPROVED



- SPECIFICATIONS:
- ELECTRICAL CHARACTERISTICS:
 - 1-1. RATING: 1.8A (PIN1/5), 0.5A (PIN2/3/4)
 - 1-2. CONTACT RESISTANCE: 30mΩ MAX.(INITIAL)
 - 1-3. DIELECTRIC WITHSTANDING VOLTAGE: 300V AC FOR ONE MINUTE.
 - 1-4. INSULATION RESISTANCE: 100MΩ MIN. MEASURED BY 500 VDC
 - MECHANICAL CHARACTERISTICS:
 - 2-1. INSERTION FORCE : 3.6 KGF (MAX)
 - 2-2. WITHDRAWAL FORCE : 0.8 KGF(Reference)
 - DURABILITY: 10,000 CYCLES .
 - WATER PROOFNESS:THIS PRODUCT IS BASED ON IPX7(1m,30min)
 - PLUG INTERFACE DIMENSIONS CONFORM TO USB2.0 SPEC.
 - OVAL RING
 - 6-1. The amount of low molecular siloxanes(D3~D10)is less than 200ppm
 - 6-2. Hardness of silicone rubber:70°
 - FOR REFLOW SOLDERING LEAD-FREE PROCESS.
 - PACKAGING: TAPE & REEL.



ITEM	PART NAME	TERMINAL	QTY	MATERIAL	REMARK
1	BOND	---	1	---	---
2	TERMINAL	---	2	C2680 T=0.3	1SE: Ni(MIN 40u" or more) 2nd:Sn(MIN 80u" or more)
5	CONTACT	No.1 - No.5	5	C18140H T=0.20	Gold flash plating Matte Tin 40u"min on solder tail Nickel 40u"min plating all over.
1	SHELL	---	1	SUS 304 T=0.25	Nickel 40u"min plating all over
1	INSERT MOLDING	---	1	LOP(E130I,BLACK)	UL94 V-0
1	HOUSING	---	1	PA9T(GP2450,BLACK)	UL94 V-0

UNLESS OTHERWISE SPECIFIED, TOLERANCE ON DECIMAL:±0.3

Singatron Enterprise Co., Ltd.			
TITLE	Mirco USB Waterproof Connector		
DWN	2018.08.24	PART NO.	2UR1-111GB5W-NAY6
CHKD	2018.09.21	SCALE	1:1 UNIT: mm
APVD	2018.09.21	SIZE	A3 SHEET:1 OF 1 REV:001
CUSTOMER COPY			