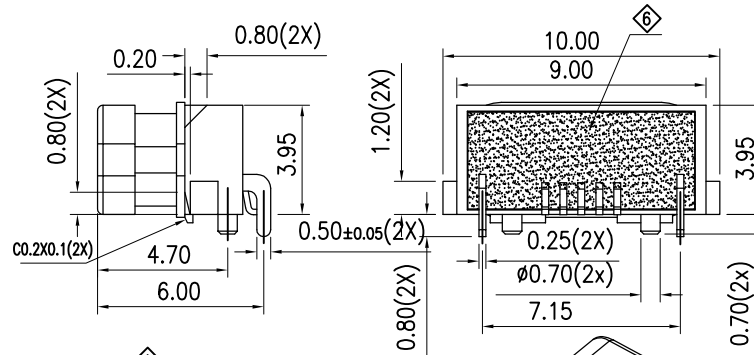
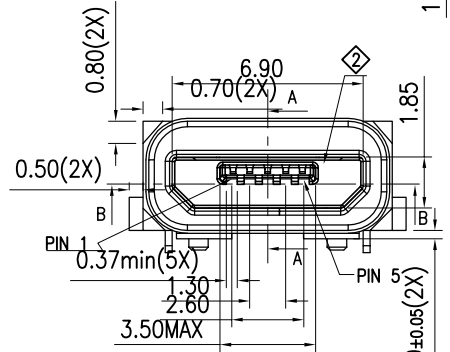
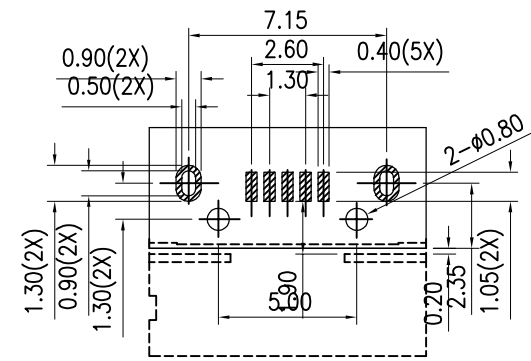
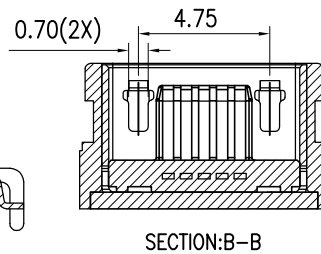
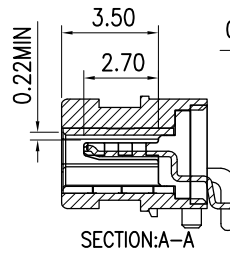
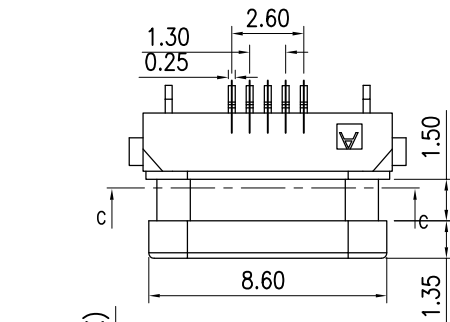
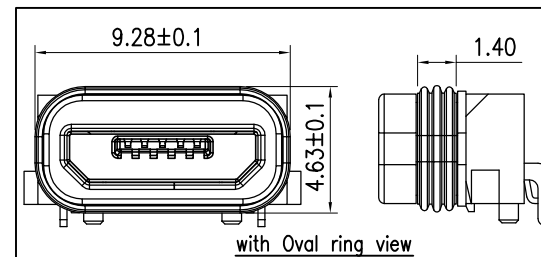
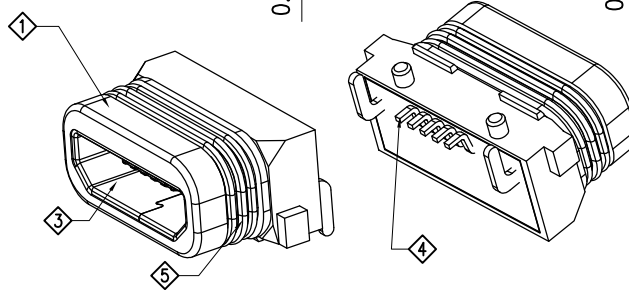
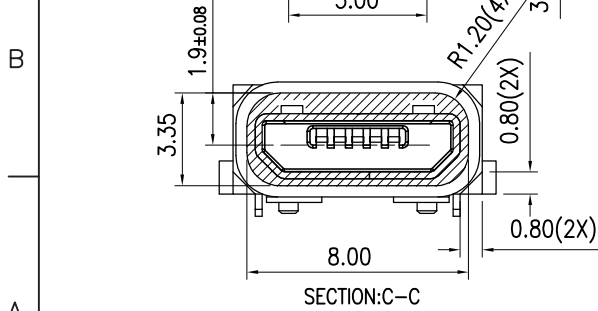
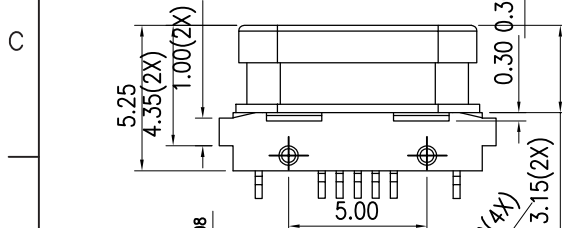


RoHS Complied



SPECIFICATIONS:

- ELECTRICAL CHARACTERISTICS:
 - 1-1. RATING: 1.8A (PIN1/5), 0.5A (PIN2/3/4)
 - 1-2. CONTACT RESISTANCE: 30mΩ MAX.(INITIAL)
 - 1-3. DIELECTRIC WITHSTANDING VOLTAGE: 300V AC FOR ONE MINUTE.
 - 1-4. INSULATION RESISTANCE: 100MΩ MIN. MEASURED BY 500 VDC
- MECHANICAL CHARACTERISTICS:
 - 2-1. INSERTION FORCE : 3.6 KGF (MAX)
 - 2-2. WITHDRAWAL FORCE : 0.8 KGF(Reference)
- DURABILITY: 10,000 CYCLES .
- WATER PROOFNESS: THIS PRODUCT IS BASED ON IPX7(1m,30min)
- PLUG INTERFACE DIMENSIONS COMFORM TO USB2.0 SPEC.
- OVAL RING
 - 6-1. The amount of low molecular siloxanes(D3~D10)is less than 200ppm
 - 6-2. Hardness of silicone rubber:70°
- FOR REFLOW SOLDERING LEAD-FREE PROCESS.
- PACKAGING: TAPE & REEL.



UNLESS OTHERWISE SPECIFIED, TOLERANCE ON DECIMAL: ±0.3

◆ BOND	---	1	---	---
◆ Oval ring	---	1	---	---
◆ CONTACT	No.1 - No.5	5	Copper Alloy T=0.20	Under plating: Ni plating Contact area: Gold flash plating Soldering area: Sn plating
◆ SHELL	---	1	Stainless Steel T=0.25	1st: Cu, 2nd: Ni PLATED
◆ INSERT MOLDING	---	1	PAST(BLACK)	UL-94V-0
◆ HOUSING	---	1	PAST(BLACK)	UL-94V-0
ITEM	PART NAME	TERMINAL QTY	MATERIAL	REMARK

Singatron Enterprise Co., Ltd.

TITLE	Mirco USB Waterproof Connector			
DWN	2018.08.15	PART NO.	2UR1-163AB5W-NAZ6	
CHKD	2018.08.28	SCALE	1:1	UNIT: mm
APVD	2018.08.28	SIZE	A3	SHEET: 1 OF 1 REV: A

CUSTOMER COPY